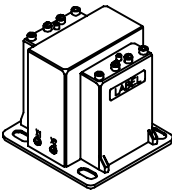
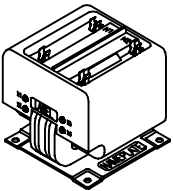
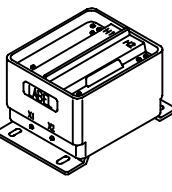
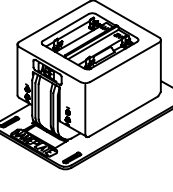
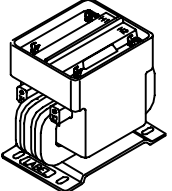
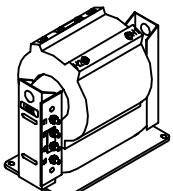
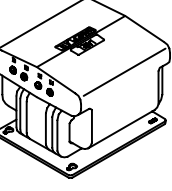
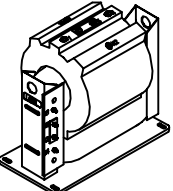
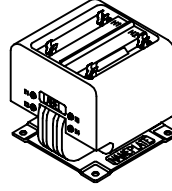
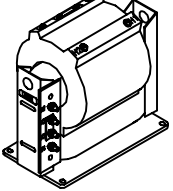


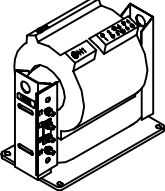
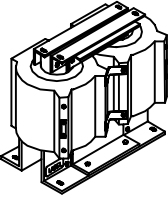
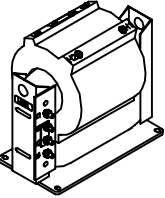
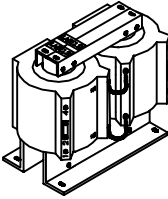
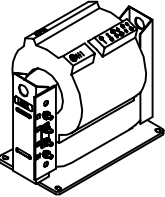
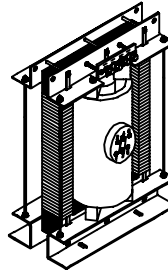
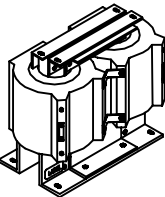
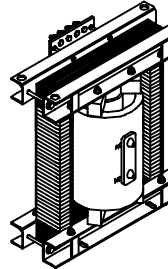
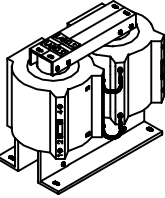
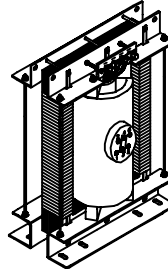
CONTROL POWER TRANSFORMERS

**MEDIUM VOLTAGE
FROM 5kV
TO 34.5kV**

 <p>MODEL CPT3-45-0.3</p> <p>OVERALL SIZE W6.00 H6.10 D6.50</p> <p>VOLTAGE CLASS 5kV</p> <p>PAGE 4</p>	 <p>MODEL CPT3-60-2</p> <p>OVERALL SIZE W8.63 H9.38 D10.00</p> <p>VOLTAGE CLASS 5kV</p> <p>PAGE 9</p>
 <p>MODEL CPT3-60-0.5</p> <p>OVERALL SIZE W6.75 H5.60 D9.62</p> <p>VOLTAGE CLASS 5kV</p> <p>PAGE 5</p>	 <p>MODEL CPT3-60-3</p> <p>OVERALL SIZE W9.50 H9.53 D13.75</p> <p>VOLTAGE CLASS 5kV</p> <p>PAGE 10</p>
 <p>MODEL CPT3-60-1.0</p> <p>OVERALL SIZE W6.75 H8.25 D9.62</p> <p>VOLTAGE CLASS 5kV</p> <p>PAGE 6</p>	 <p>MODEL CPT3-60-5 CPT5-95-5</p> <p>OVERALL SIZE W16.50 H13.38 D11.38</p> <p>VOLTAGE CLASS 5kV 15kV</p> <p>PAGE 11</p>
 <p>MODEL CPT3-60-1.2</p> <p>OVERALL SIZE W7.80 H6.59 D8.44</p> <p>VOLTAGE CLASS 5kV</p> <p>PAGE 7</p>	 <p>MODEL CPT3-60-5 CPT5-95-5</p> <p>OVERALL SIZE W16.50 H13.38 D11.38</p> <p>VOLTAGE CLASS 5kV 15kV</p> <p>PAGE 12</p>
 <p>MODEL CPT3-60-1.5</p> <p>OVERALL SIZE W8.63 H9.38 D10.00</p> <p>VOLTAGE CLASS 5kV</p> <p>PAGE 8</p>	 <p>MODEL CPT3-60-10 CPT5-95-10</p> <p>OVERALL SIZE W18.12 H15.38 D11.38</p> <p>VOLTAGE CLASS 5kV 15kV</p> <p>PAGE 13</p>

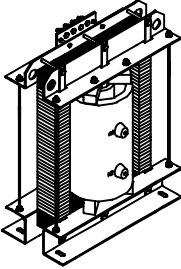
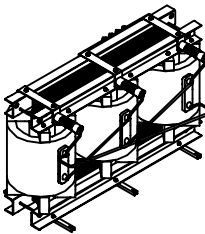
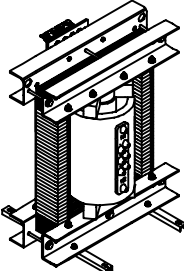
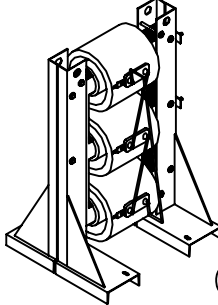
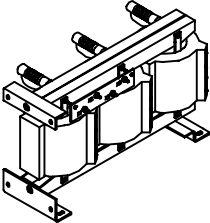
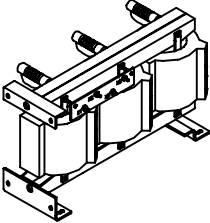
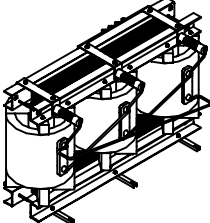
CONTROL POWER TRANSFORMERS

MEDIUM VOLTAGE FROM 5kV TO 34.5kV

	<p>MODEL CPTS3-60-10 CPTS5-95-10</p>	<p>OVERALL SIZE W18.12 H15.38 D11.38</p>	<p>VOLTAGE CLASS 5kV 15kV</p>	<p>PAGE 14</p>		<p>MODEL CPT3-60-37.5</p>	<p>OVERALL SIZE W23.75 H20.25 D12.25</p>	<p>VOLTAGE CLASS 5kV</p>	<p>PAGE 19</p>
	<p>MODEL CPT3-60-15 CPT5-95-15</p>	<p>OVERALL SIZE W18.12 H15.38 D11.38</p>	<p>VOLTAGE CLASS 5kV 15kV</p>	<p>PAGE 15</p>		<p>MODEL CPTN5-95-37.5</p>	<p>OVERALL SIZE W23.80 H23.75 D12.25</p>	<p>VOLTAGE CLASS 15kV</p>	<p>PAGE 20</p>
	<p>MODEL CPTS3-60-15 CPTS5-95-15</p>	<p>OVERALL SIZE W18.12 H15.38 D11.38</p>	<p>VOLTAGE CLASS 5kV 15kV</p>	<p>PAGE 16</p>		<p>MODEL CPTD3-60-50 CPTD5-95-50</p>	<p>OVERALL SIZE W29.25 H36.38 D17.75</p>	<p>VOLTAGE CLASS 5kV 15kV</p>	<p>PAGE 21</p>
	<p>MODEL CPT3-60-25</p>	<p>OVERALL SIZE W23.75 H20.25 D12.25</p>	<p>VOLTAGE CLASS 5kV</p>	<p>PAGE 17</p>		<p>MODEL CPTD5-95-25 CPTD5-95-37.5</p>	<p>OVERALL SIZE W26.75 H26.25 D17.20</p>	<p>VOLTAGE CLASS 15kV</p>	<p>PAGE 22</p>
	<p>MODEL CPTN5-95-25</p>	<p>OVERALL SIZE W23.80 H23.75 D12.25</p>	<p>VOLTAGE CLASS 15kV</p>	<p>PAGE 18</p>		<p>MODEL CPTD7-150-25 CPTD7-150-37.5 CPTD7-150-50</p>	<p>OVERALL SIZE W35.75 H41.75 D19.13</p>	<p>VOLTAGE CLASS 34.5kV</p>	<p>PAGE 23</p>

CONTROL POWER TRANSFORMERS

**MEDIUM VOLTAGE
FROM 5kV
TO 34.5kV**

 <table data-bbox="341 399 828 535"> <thead> <tr> <th>MODEL</th> <th>OVERALL SIZE</th> <th>VOLTAGE CLASS</th> <th>PAGE</th> </tr> </thead> <tbody> <tr> <td>CPTD3-60-75</td> <td>W28.75</td> <td>5kV</td> <td rowspan="3">24</td> </tr> <tr> <td>CPTD5-95-75</td> <td>H39.50</td> <td>15kV</td> </tr> <tr> <td></td> <td>D16.75</td> <td></td> </tr> </tbody> </table>	MODEL	OVERALL SIZE	VOLTAGE CLASS	PAGE	CPTD3-60-75	W28.75	5kV	24	CPTD5-95-75	H39.50	15kV		D16.75		 <table data-bbox="1071 346 1542 472"> <thead> <tr> <th>MODEL</th> <th>OVERALL SIZE</th> <th>VOLTAGE CLASS</th> </tr> </thead> <tbody> <tr> <td>3CPTDH3-60-75</td> <td>W44.50</td> <td>5kV</td> </tr> <tr> <td>3CPTDH5-95-75</td> <td>H32.65</td> <td>15kV</td> </tr> <tr> <td></td> <td>D20.80</td> <td></td> </tr> </tbody> </table> <p>PAGES 32-33</p> <p>(HORIZONTAL MOUNTING)</p>	MODEL	OVERALL SIZE	VOLTAGE CLASS	3CPTDH3-60-75	W44.50	5kV	3CPTDH5-95-75	H32.65	15kV		D20.80	
MODEL	OVERALL SIZE	VOLTAGE CLASS	PAGE																								
CPTD3-60-75	W28.75	5kV	24																								
CPTD5-95-75	H39.50	15kV																									
	D16.75																										
MODEL	OVERALL SIZE	VOLTAGE CLASS																									
3CPTDH3-60-75	W44.50	5kV																									
3CPTDH5-95-75	H32.65	15kV																									
	D20.80																										
 <table data-bbox="341 724 828 861"> <thead> <tr> <th>MODEL</th> <th>OVERALL SIZE</th> <th>VOLTAGE CLASS</th> <th>PAGE</th> </tr> </thead> <tbody> <tr> <td>CPTD5-95-125</td> <td>W39.00</td> <td>15kV</td> <td rowspan="3">25</td> </tr> <tr> <td></td> <td>H42.25</td> <td></td> </tr> <tr> <td></td> <td>D23.50</td> <td></td> </tr> </tbody> </table>	MODEL	OVERALL SIZE	VOLTAGE CLASS	PAGE	CPTD5-95-125	W39.00	15kV	25		H42.25			D23.50		 <table data-bbox="1071 661 1542 787"> <thead> <tr> <th>MODEL</th> <th>OVERALL SIZE</th> <th>VOLTAGE CLASS</th> </tr> </thead> <tbody> <tr> <td>3CPTDV3-60-75</td> <td>W29.63</td> <td>5kV</td> </tr> <tr> <td>3CPTDV5-95-75</td> <td>H47.88</td> <td>15kV</td> </tr> <tr> <td></td> <td>D25.00</td> <td></td> </tr> </tbody> </table> <p>PAGES 34-35</p> <p>(VERTICAL MOUNTING)</p>	MODEL	OVERALL SIZE	VOLTAGE CLASS	3CPTDV3-60-75	W29.63	5kV	3CPTDV5-95-75	H47.88	15kV		D25.00	
MODEL	OVERALL SIZE	VOLTAGE CLASS	PAGE																								
CPTD5-95-125	W39.00	15kV	25																								
	H42.25																										
	D23.50																										
MODEL	OVERALL SIZE	VOLTAGE CLASS																									
3CPTDV3-60-75	W29.63	5kV																									
3CPTDV5-95-75	H47.88	15kV																									
	D25.00																										
 <table data-bbox="341 976 828 1134"> <thead> <tr> <th>MODEL</th> <th>OVERALL SIZE</th> <th>VOLTAGE CLASS</th> </tr> </thead> <tbody> <tr> <td>3CPT3-60-15</td> <td>W34.00</td> <td>5kV</td> </tr> <tr> <td>3CPT5-95-15</td> <td>H19.31</td> <td>15kV</td> </tr> <tr> <td></td> <td>D13.00 (60 kV)</td> <td></td> </tr> <tr> <td></td> <td>D15.75 (95 kV)</td> <td></td> </tr> </tbody> </table> <p>PAGES 26-27</p>	MODEL	OVERALL SIZE	VOLTAGE CLASS	3CPT3-60-15	W34.00	5kV	3CPT5-95-15	H19.31	15kV		D13.00 (60 kV)			D15.75 (95 kV)													
MODEL	OVERALL SIZE	VOLTAGE CLASS																									
3CPT3-60-15	W34.00	5kV																									
3CPT5-95-15	H19.31	15kV																									
	D13.00 (60 kV)																										
	D15.75 (95 kV)																										
 <table data-bbox="341 1302 828 1459"> <thead> <tr> <th>MODEL</th> <th>OVERALL SIZE</th> <th>VOLTAGE CLASS</th> </tr> </thead> <tbody> <tr> <td>3CPT3-60-30</td> <td>W38.50</td> <td>5kV</td> </tr> <tr> <td>3CPT5-95-30</td> <td>H22.50</td> <td>15kV</td> </tr> <tr> <td>3CPT3-60-45</td> <td>D13.00 (60 kV)</td> <td></td> </tr> <tr> <td>3CPT5-95-45</td> <td>D15.75 (95 kV)</td> <td></td> </tr> </tbody> </table> <p>PAGES 28-29</p>	MODEL	OVERALL SIZE	VOLTAGE CLASS	3CPT3-60-30	W38.50	5kV	3CPT5-95-30	H22.50	15kV	3CPT3-60-45	D13.00 (60 kV)		3CPT5-95-45	D15.75 (95 kV)													
MODEL	OVERALL SIZE	VOLTAGE CLASS																									
3CPT3-60-30	W38.50	5kV																									
3CPT5-95-30	H22.50	15kV																									
3CPT3-60-45	D13.00 (60 kV)																										
3CPT5-95-45	D15.75 (95 kV)																										
 <table data-bbox="341 1617 828 1774"> <thead> <tr> <th>MODEL</th> <th>OVERALL SIZE</th> <th>VOLTAGE CLASS</th> </tr> </thead> <tbody> <tr> <td>3CPTD3-60-30</td> <td>W37.13</td> <td>5kV</td> </tr> <tr> <td>3CPTD5-95-30</td> <td>H25.62</td> <td>15kV</td> </tr> <tr> <td>3CPTD3-60-45</td> <td>D18.92</td> <td></td> </tr> <tr> <td>3CPTD5-95-45</td> <td></td> <td></td> </tr> </tbody> </table> <p>PAGES 30-31</p>	MODEL	OVERALL SIZE	VOLTAGE CLASS	3CPTD3-60-30	W37.13	5kV	3CPTD5-95-30	H25.62	15kV	3CPTD3-60-45	D18.92		3CPTD5-95-45														
MODEL	OVERALL SIZE	VOLTAGE CLASS																									
3CPTD3-60-30	W37.13	5kV																									
3CPTD5-95-30	H25.62	15kV																									
3CPTD3-60-45	D18.92																										
3CPTD5-95-45																											

CONTROL POWER TRANSFORMER

Model CPT3-45-0.3

REGULATORY AGENCY APPROVALS



APPLICATION:

To provide control power in distribution equipment and motor starters. May also be used for indicating and recording voltmeters.

FREQUENCY:

See below.

ACCURACY:

±1% at 25 VA.

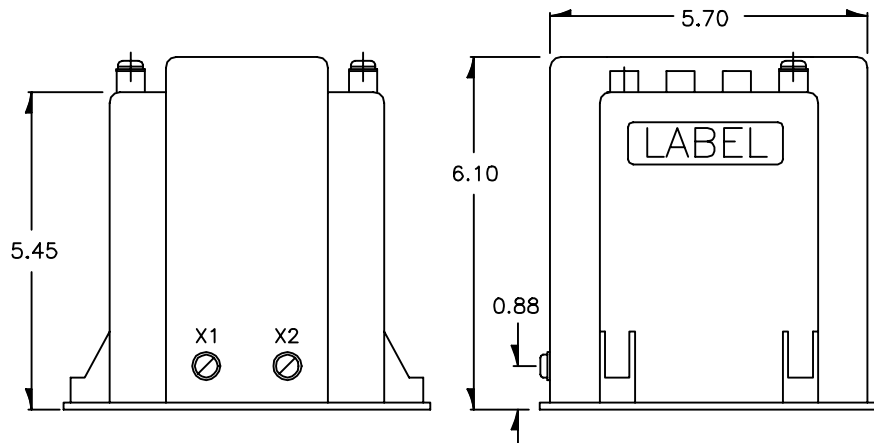
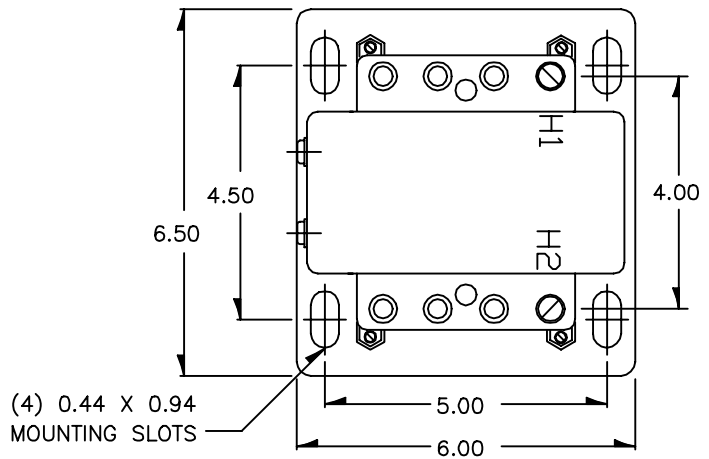
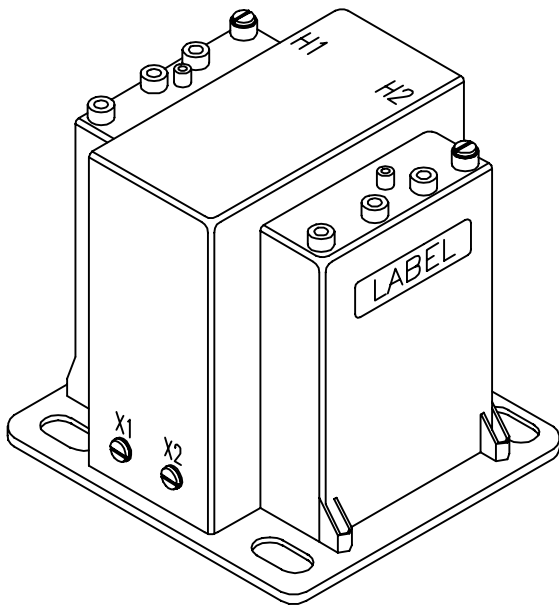
INSULATION LEVEL:

5 kV, 45 kV BIL full wave.

THERMAL RATING:

At 30°C. amb., see below.

- Primary fuses are not supplied, but are recommended. Use a 5kV class 0.5E fuse for all ratings 4160V and above, and 1E fuse for all ratings 3300V and below.
- Primary and secondary terminals are brass screws No.10-32 with one flatwasher and lockwasher.
- The transformer winding is vacuum encapsulated in a polyurethane resin.
- Plated steel mounting base.
- For indoor use.
- Approximate weight 18 lbs.



CATALOG NO.	PRIMARY VOLTAGE	RATIO	SECONDARY VOLTAGE	FREQUENCY	THERMAL RATING
CPT3-45-0.3-841	840	7:1	120	60Hz	300VA
CPT3-45-0.3-122	1200	10:1	120	60Hz	300VA
CPT3-45-0.3-242	2400	20:1	120	60Hz	300VA
CPT3-45-0.3-332	3300	30:1	110	50Hz	200VA
CPT3-45-0.3-4161	4160	34.7:1	120	60Hz	200VA
CPT3-45-0.3-482	4800	40:1	120	60Hz	200VA

CONTROL POWER TRANSFORMER

Model CPT3-60-0.5

REGULATORY AGENCY APPROVALS



APPLICATION:

To provide control power in distribution equipment and motor starters. May also be used for indicating and recording voltmeters.

FREQUENCY:

60 Hz

ACCURACY:

±1% at 100 VA.

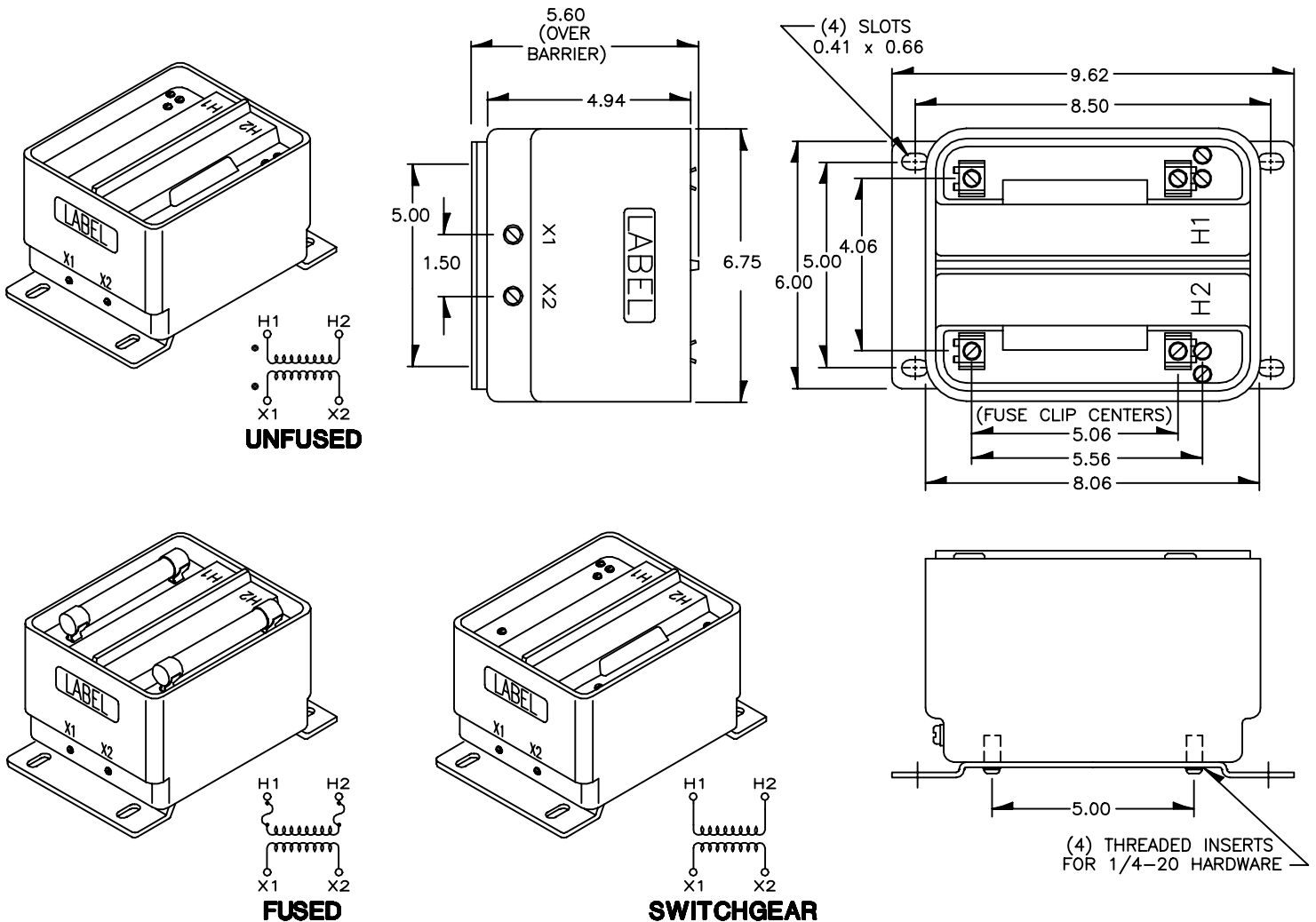
INSULATION LEVEL:

5 kV, 60 kV BIL full wave.

THERMAL RATING:

At 30°C. amb., see below.

- An optional clear molded fuse cover is available for added safety when desired. (1743C11804)
- Suggested fuse rating: See below, 50kA RMS Symmetrical. Fuse diameter is 0.81 inches. Higher fuse ratings available at users option.
- Primary and secondary terminals are brass screws No.10-32 with one flatwasher and lockwasher.
- The transformer winding is vacuum encapsulated in a polyurethane resin.
- Plated steel mounting base is removable. CPT can be mounted with base as shown, with base rotated 90 degrees, or without a base.
- For indoor use.
- Approximate weight 22 lbs.



PRIMARY VOLTAGE	RATIO	SECONDARY VOLTAGE	THERMAL RATING	CATALOG NUMBERS				SUGGESTED FUSE RATING CONTINUOUS AMPERES
				UNFUSED (a)	FUSED	FUSE CLIPS ONLY	SWITCHGEAR	
2400	20:1	120	500VA	CPT3-60-0.5-242	CPT3-60-0.5-242FF	CPT3-60-0.5-242CC	CPT3-60-0.5-242SS	2.0E
3300	30:1	110-50Hz	450VA	CPT3-60-0.5-332	CPT3-60-0.5-332FF	CPT3-60-0.5-332CC	CPT3-60-0.5-332SS	1.0E
4200	35:1	120	500VA	CPT3-60-0.5-422	CPT3-60-0.5-422FF	CPT3-60-0.5-422CC	CPT3-60-0.5-422SS	1.0E
4800	40:1	120	450VA	CPT3-60-0.5-482	CPT3-60-0.5-482FF	CPT3-60-0.5-482CC	CPT3-60-0.5-482SS	1.0E
6600	60:1	110-50Hz	300VA	CPT3-60-0.5-662	-	-	CPT3-60-0.5-662SS	-
7200	60:1	120	300VA	CPT3-60-0.5-722	-	-	CPT3-60-0.5-722SS	-

(a) FUSES MUST BE MOUNTED SEPARATELY.

CONTROL POWER TRANSFORMER

Model CPT3-60-1.0

REGULATORY AGENCY APPROVALS



APPLICATION:

To provide control power in distribution equipment and motor starters.

FREQUENCY:

See below.

INSULATION LEVEL:

5 kV, 60 kV BIL full wave.

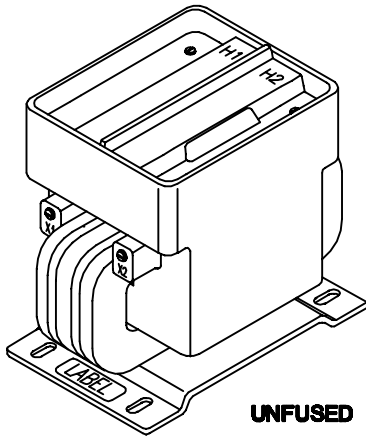
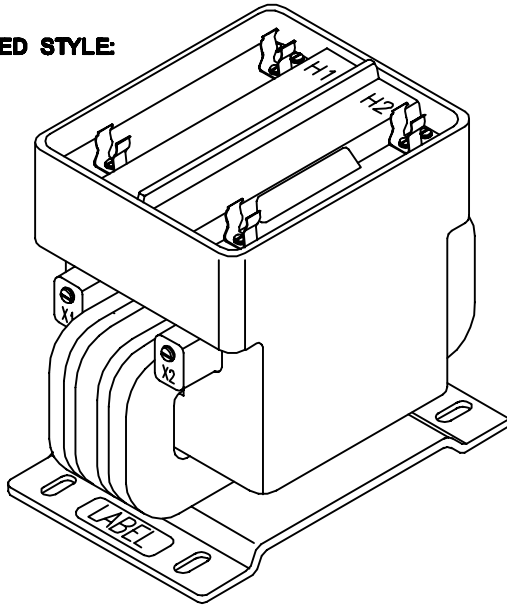
THERMAL RATING:

At 30°C. amb., see below.

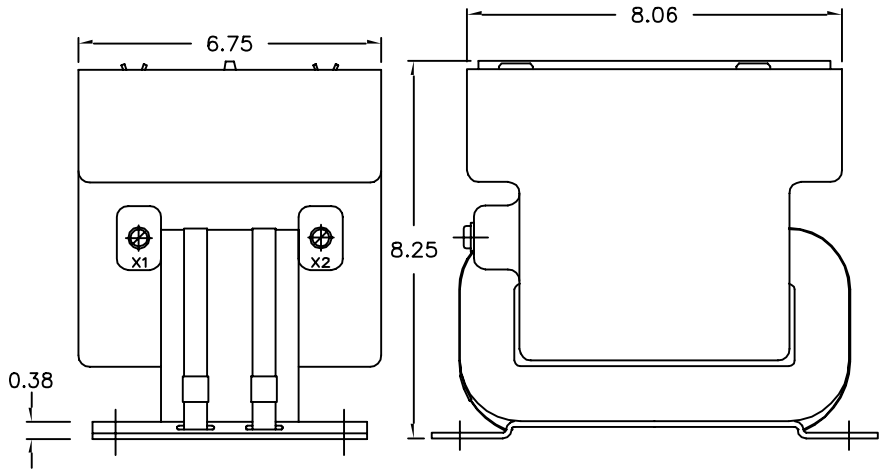
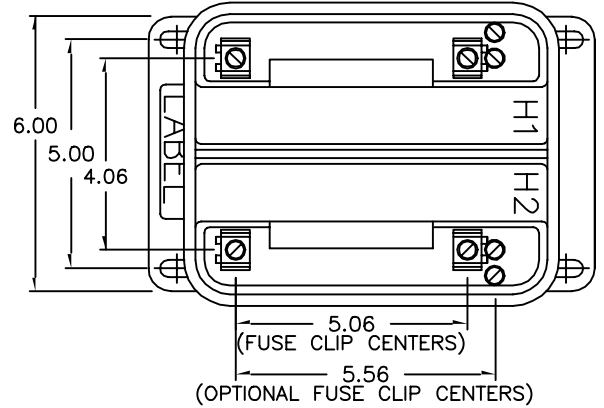
- An optional clear molded cover is available for added safety when desired.
- Primary and secondary terminals are brass screws No.10-32 with one flatwasher and lockwasher.
- The transformer winding is vacuum encapsulated in polyurethane resin.
- Plated steel mounting base.
- For indoor use.
- Approximate weight 40 lbs.

FUSED STYLE:

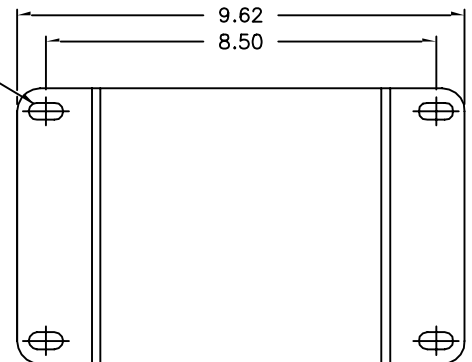
FUSED STYLE:



UNFUSED STYLE:



(4) SLOTS
0.41 X 0.66



BASE PLATE

*CATALOG NO.	PRIMARY VOLTAGE	RATIO	SECONDARY VOLTAGE	FREQUENCY	THERMAL RATING	PRIMARY FUSE
CPT3-60-1.0-242FF	2400V	20:1	120V	60Hz	1.0kVA	2E
CPT3-60-1.0-332FF	3300V	30:1	110V	50Hz	0.8kVA	2E
CPT3-60-1.0-4161FF	4160V	34.7:1	120V	60Hz	1.0kVA	2E
CPT3-60-1.0-482FF	4800V	40:1	120V	60Hz	1.0kVA	2E
CPT3-60-1.0-662**	6600V	60:1	110V	50Hz	0.6kVA	2E
CPT3-60-1.0-722**	7200V	60:1	120V	60Hz	0.6kVA	2E

*For fuse clips only, change FF to CC.

**Available as unfused only. Fuses must be mounted separately.

CONTROL POWER TRANSFORMER

Model CPT3-60-1.2

REGULATORY AGENCY APPROVALS



APPLICATION:

To provide control power in distribution equipment and motor starters.

FREQUENCY:

60 Hz.

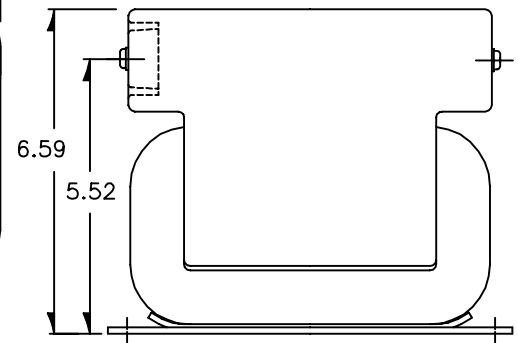
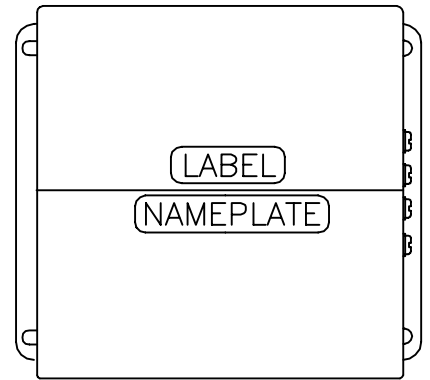
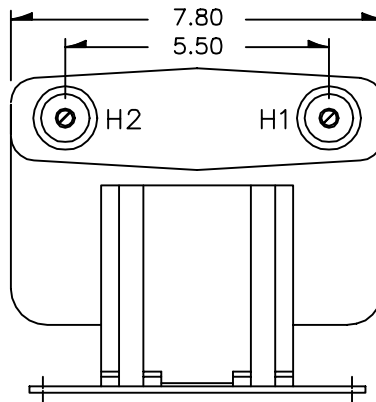
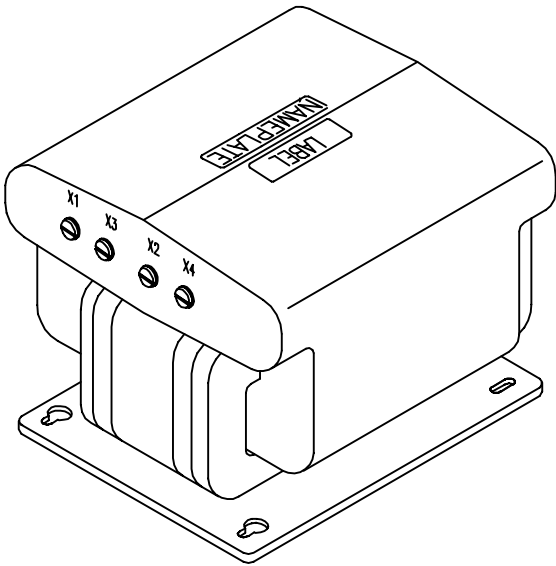
INSULATION LEVEL:

5 kV, 60 kV BIL full wave.

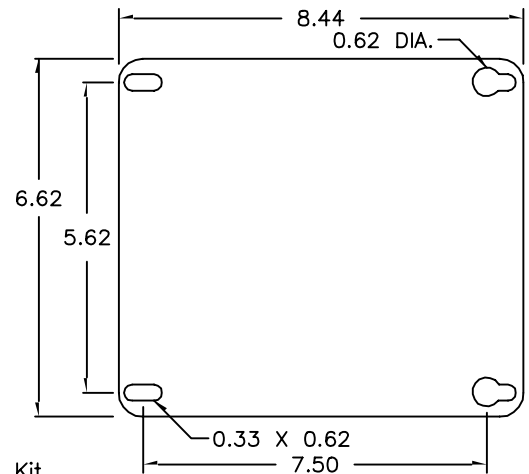
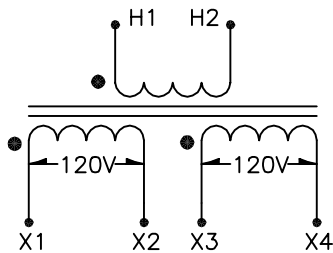
THERMAL RATING:

1.2 kVA at 30°C. amb.

- Primary fuses are not supplied, but are recommended. Use 5kV class 2E fuses.
- Secondary terminals are brass screws 1/4-20 with one flatwasher and lockwasher plus series/parallel links.
- Primary terminals are brass screws No.10-32 with one flatwasher and lockwasher.
- The transformer winding is vacuum encapsulated in polyurethane resin.
- Plated steel mounting base.
- For indoor use.
- Approximate weight 45 lbs.

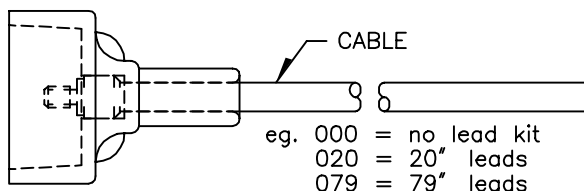


CONNECTION DIAGRAM



CATALOG NO.	PRIMARY VOLTAGE	RATIO	SECONDARY VOLTAGE
CPT3-60-1.2-242-XXX	2400	20:1	120/240
CPT3-60-1.2-4161-XXX	4160	34.7:1	120/240
CPT3-60-1.2-482-XXX	4800	40:1	120/240

NOTE: Last three digits of catalog number signify lead length (in inches) of HV Lead Kit.



MOUNTING BASE

CONTROL POWER TRANSFORMER

Model CPT3-60-1.5

REGULATORY AGENCY APPROVALS



APPLICATION:

To provide control power in distribution equipment and motor starters.

FREQUENCY:

See below

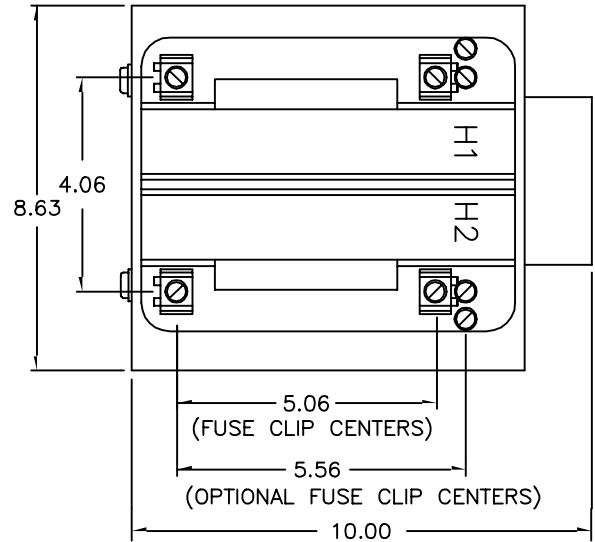
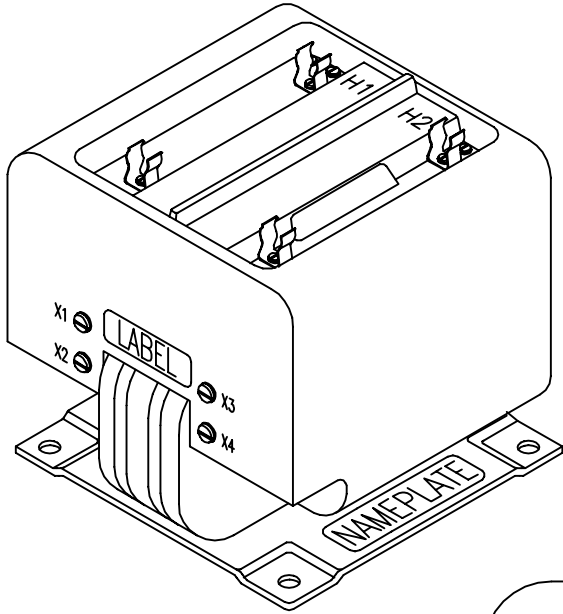
INSULATION LEVEL:

5 kV, 60 kV BIL full wave.

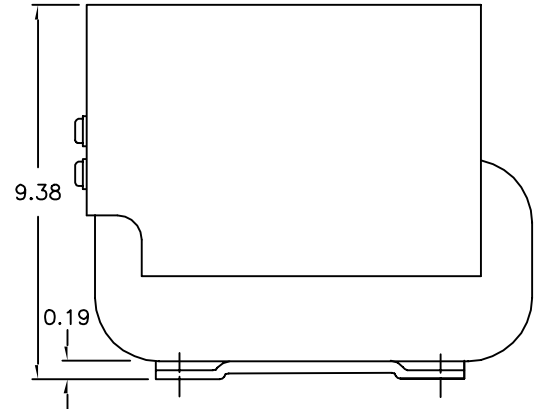
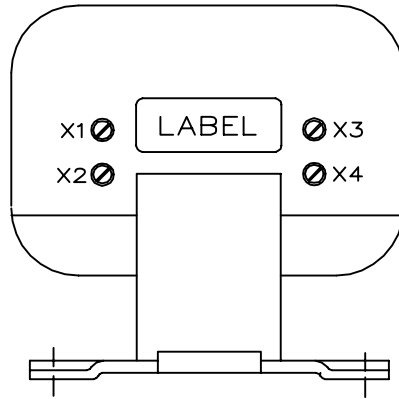
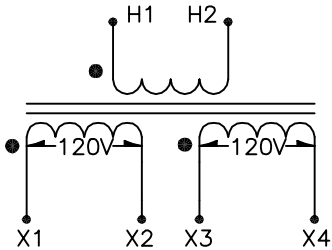
THERMAL RATING:

1.5 kVA at 30°C amb.

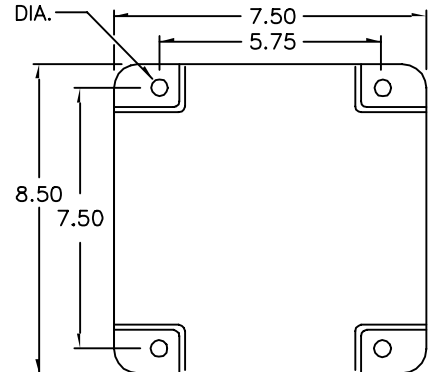
- Primary terminals are brass screws No. 10–32 with one flatwasher and lockwasher.
- Secondary terminals are brass screws 10–32 with one flatwasher and lockwasher.
- The transformer winding is vacuum encapsulated in polyurethane resin.
- Plated steel mounting base.
- For indoor use.
- Approximate weight 54 lbs.



CONNECTION DIAGRAM



(4) HOLES
0.41 DIA.



BASE PLATE

*CATALOG NO.	PRIMARY VOLTAGE	RATIO	SECONDARY VOLTAGE	FREQUENCY	PRIMARY FUSE
CPT3-60-1.5-242FF	2400V	20:1	120/240V	60Hz	3E
CPT3-60-1.5-332FF	3300V	30:1	110/220V	50Hz	2E
CPT3-60-1.5-4161FF	4160V	34.7:1	120/240V	60Hz	2E
CPT3-60-1.5-482FF	4800V	40:1	120/240V	60Hz	2E

*For fuse clips only, change FF to CC.

CONTROL POWER TRANSFORMER

Model CPT3-60-2

REGULATORY AGENCY APPROVALS



APPLICATION:

To provide control power in distribution equipment and motor starters.

FREQUENCY:

See below.

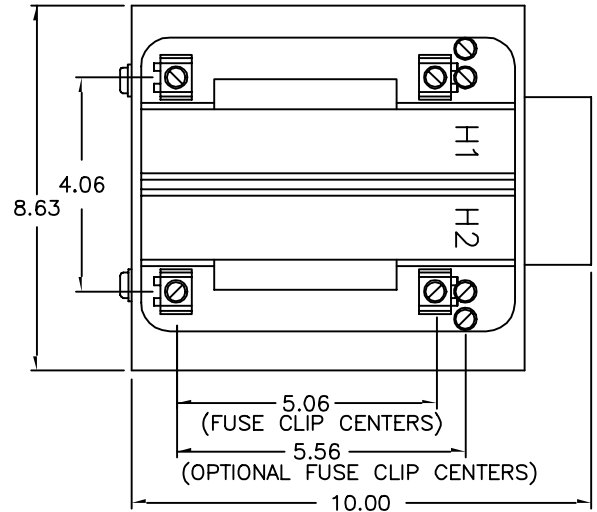
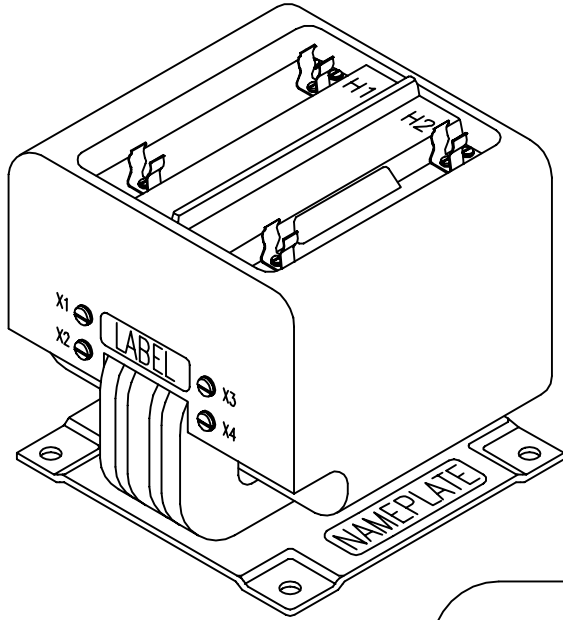
INSULATION LEVEL:

5 kV, 60 kV BIL full wave.

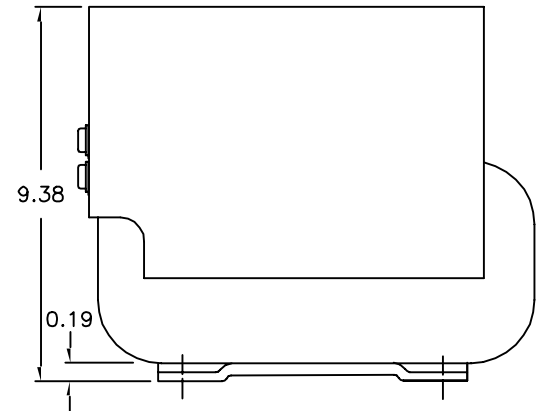
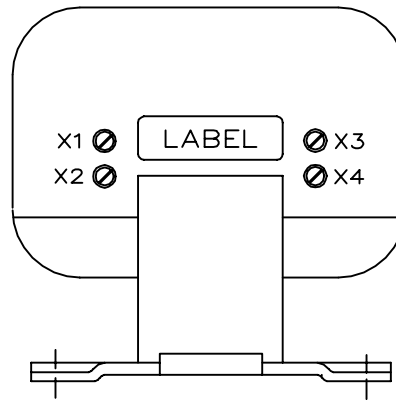
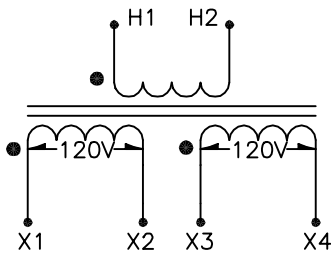
THERMAL RATING:

At 30°C. amb., see below.

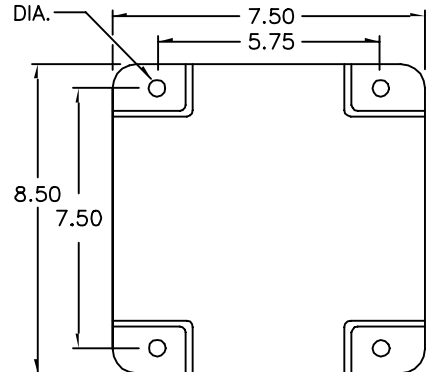
- Primary terminals are brass screws No. 10-32 with one flatwasher and lockwasher.
- Secondary terminals are brass screws 10-32 with one flatwasher and lockwasher.
- The transformer winding is vacuum encapsulated in polyurethane resin.
- Plated steel mounting base.
- For indoor use.
- Approximate weight 63 lbs.



CONNECTION DIAGRAM



(4) HOLES
0.41 DIA.



BASE PLATE

*CATALOG NO.	PRIMARY VOLTAGE	RATIO	SECONDARY VOLTAGE	FREQUENCY	THERMAL RATING	PRIMARY FUSE
CPT3-60-2-242FF	2400V	20:1	120/240V	60Hz	2.0kVA	3E
CPT3-60-2-332FF	3300V	30:1	110/220V	50Hz	1.8kVA	3E
CPT3-60-2-4161FF	4160V	34.7:1	120/240V	60Hz	2.0kVA	2E
CPT3-60-2-482FF	4800V	40:1	120/240V	60Hz	2.0kVA	2E

*For fuse clips only, change FF to CC.

CONTROL POWER TRANSFORMER

Model CPT3-60-3

REGULATORY AGENCY APPROVALS



APPLICATION:

To provide control power in distribution equipment and motor starters.

FREQUENCY:

60 Hz.

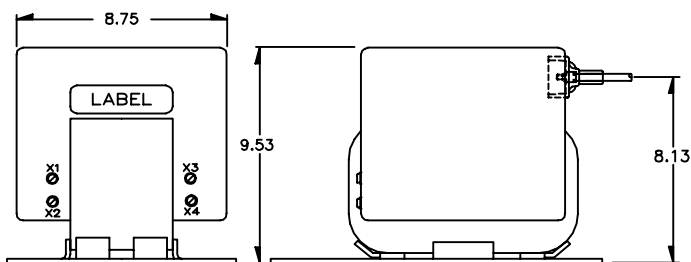
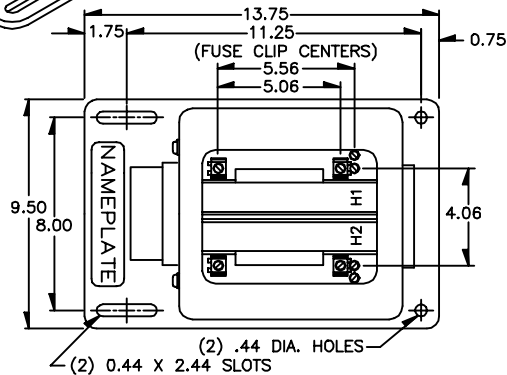
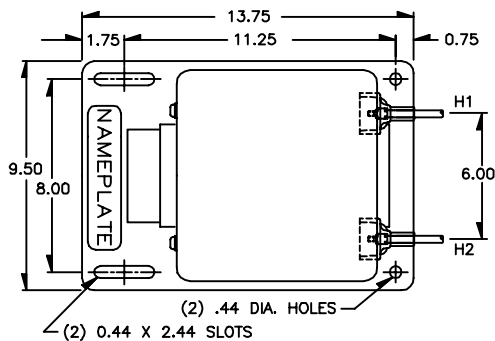
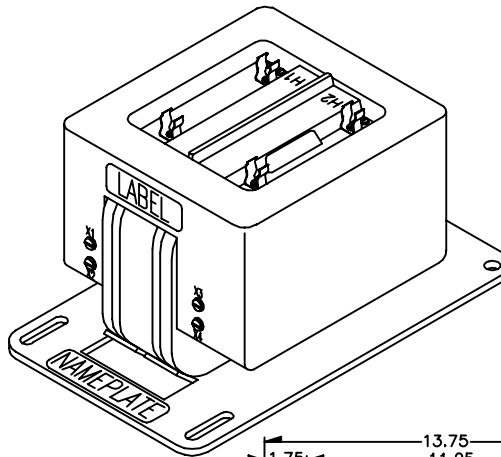
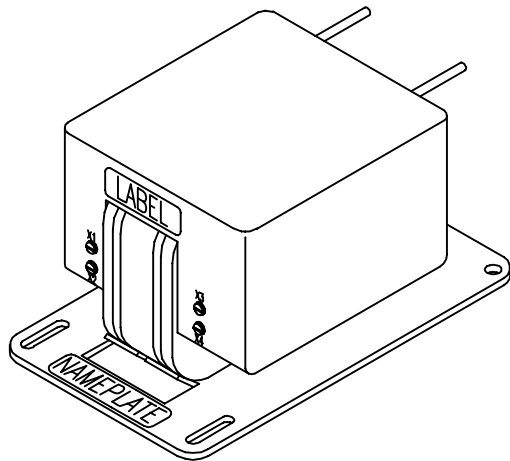
INSULATION LEVEL:

5 kV, 60 kV BIL full wave.

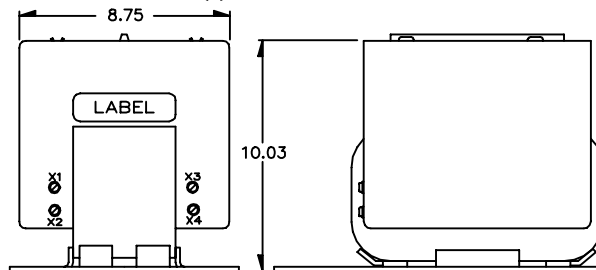
THERMAL RATING:

3 kVA at 30°C. amb.

- Primary terminals are brass screws No. 10-32 with one flatwasher and lockwasher or HV lead kit shown below.
- Secondary terminals are brass screws 1/4-20 with one flatwasher and lockwasher.
- The transformer winding is vacuum encapsulated in polyurethane resin.
- Plated steel mounting base.
- For indoor use.
- Approximate weight 85 lbs.



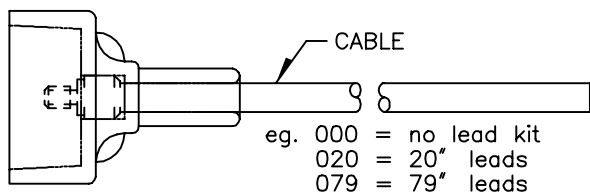
UNFUSED



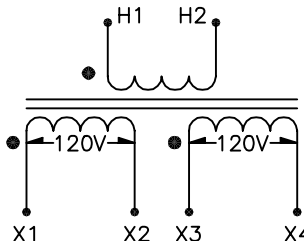
FUSED

CATALOG NO.	PRIMARY VOLTAGE	RATIO	SECONDARY VOLTAGE	CATALOG NO.	PRIMARY FUSE
CPT3-60-3-242-XXX	2400	20:1	120/240	CPT3-60-3-242FF	5E
CPT3-60-3-4161-XXX	4160	34.7:1	120/240	CPT3-60-3-4161FF	3E
CPT3-60-3-482-XXX	4800	40:1	120/240	CPT3-60-3-482FF	3E

NOTE: Last three digits of (unfused) catalog number signify lead length (in inches) of HV Lead Kit.



CONNECTION DIAGRAM



CONTROL POWER TRANSFORMERS

Model CPT3-60-5
Model CPT5-95-5

APPLICATION:

To provide control power in medium voltage switchgear.

FREQUENCY:

60 Hz.

INSULATION LEVEL:

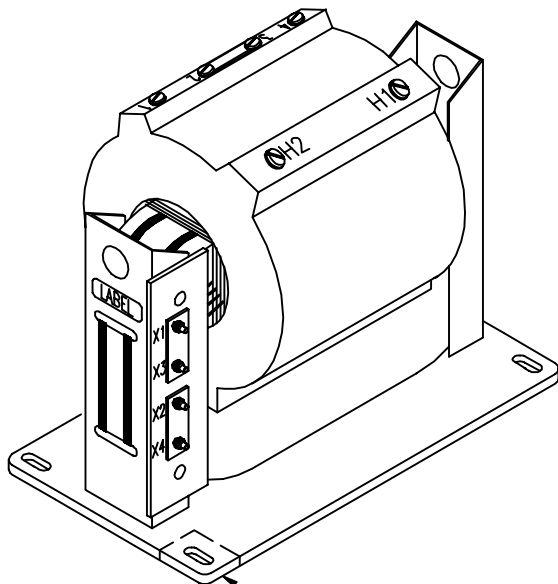
CPT3:
5 kV, 60 kV BIL full wave.

CPT5:
15 kV, 95 kV BIL full wave.

THERMAL RATING:

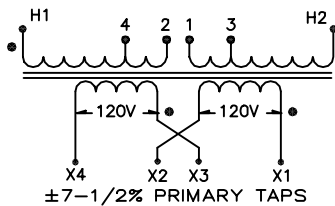
5 kVA at 30°C. ambient
4.3 kVA at 55°C. ambient.

- Primary terminals are brass screws 1/4-20 with one flatwasher and starwasher.
- Secondary terminals are brass studs 3/8-16 with one flatwasher, lockwasher and two nuts, plus series/parallel links.
- The transformer High Voltage winding is vacuum encapsulated in epoxy resin.
- Supplied with 1±7-1/2% or 2±2-1/2% taps above & below nominal voltage on the primary winding.
- Available as unfused only.
- Self cooled.
- Steel mounting base.
- For indoor use.
- Approximate weight 165 lbs.

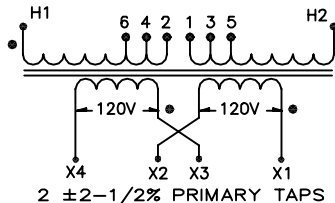


BARE CORNER FOR GROUNDING

CONNECTION DIAGRAMS

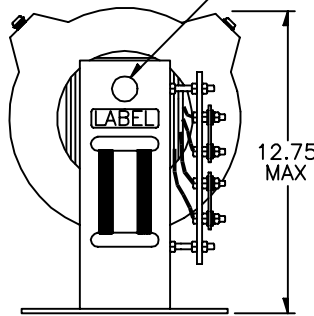


% RATED VOLTAGE	CONNECT HV LINK
107.5	1-2
100	2-3
92.5	3-4

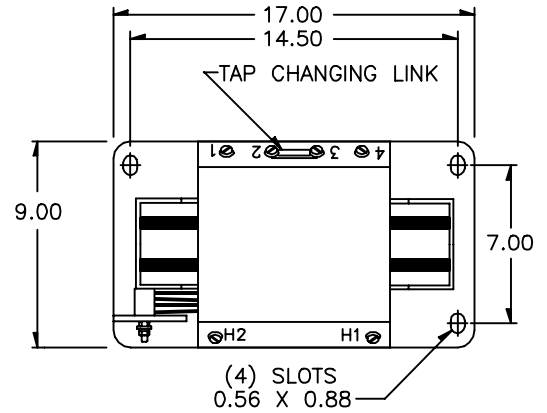


% RATED VOLTAGE	CONNECT HV LINK
105	1-2
102.5	2-3
100	3-4
97.5	4-5
95	5-6

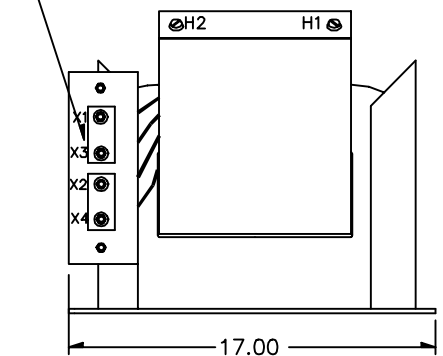
(2) LIFTING HOLES
1.12 DIA.



12.75
MAX



(2) SERIES/PARALLEL LINKS



Refer to Sales for 50 Hz.

***CATALOG NO.	PRIMARY VOLTAGE	RATIO	SECONDARY VOLTAGE	**FUSE RATING
CPT3-60-5-242	2400	20:1	120/240	7E
CPT3-60-5-4161	4160	34.7:1	120/240	5E
CPT3-60-5-482	4800	40:1	120/240	5E
CPT5-95-5-722	7200	60:1	120/240	3E
CPT5-95-5-842	8400	70:1	120/240	3E
CPT5-95-5-123	12000	100:1	120/240	2E
CPT5-95-5-1242	12470	104:1	120/240	2E
CPT5-95-5-1322	13200	110:1	120/240	2E
CPT5-95-5-1382	13800	115:1	120/240	2E
CPT5-95-5-1442*	14400	120:1	120/240	2E

*Not available with primary taps.

**Note all fuse ratings are based upon NEC transformer overcurrent protection recommendations. Specific applications may require other ratings.

***For 1±7-1/2% taps use suffix "A" after Catalog No.

***For 2±2-1/2% taps use suffix "B" after Catalog No.

CONTROL POWER TRANSFORMERS

Model CPTS3-60-5
Model CPTS5-95-5

APPLICATION:

To provide control power in medium voltage switchgear.

FREQUENCY:

60 Hz.

INSULATION LEVEL:

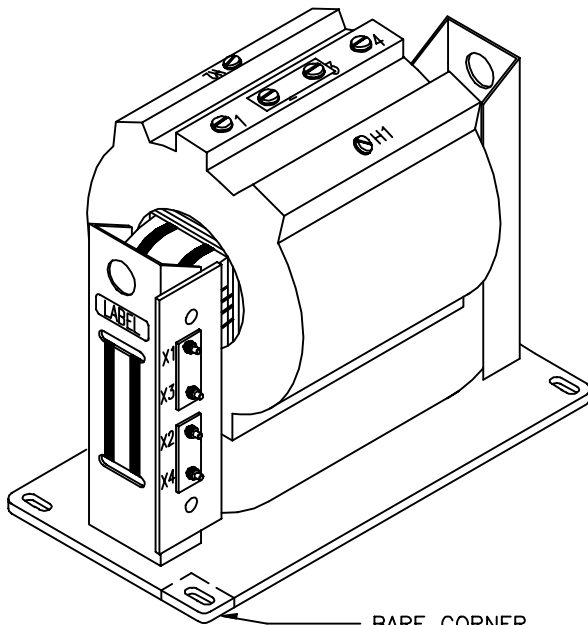
CPT3:
5 kV, 60 kV BIL full wave.

CPT5:
15 kV, 95 kV BIL full wave.

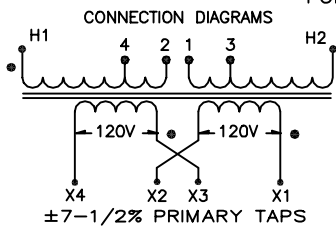
THERMAL RATING:

5 kVA at 30°C. ambient.
4.3 kVA at 55°C. ambient.

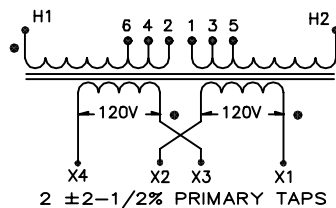
- Primary terminals are brass screws 1/4-20 with one flatwasher and starwasher.
- Secondary terminals are brass studs 1/2-13 with one flatwasher, lockwasher and two nuts, plus series/parallel links.
- The transformer High Voltage winding is vacuum encapsulated in epoxy resin.
- Supplied with 1 $\pm 7-1/2\%$ or 2 $\pm 2-1/2\%$ taps above and below nominal voltage on the primary winding.
- Available as unfused only.
- Self cooled.
- Steel mounting base.
- For indoor use.
- Approximate weight 165 lbs.



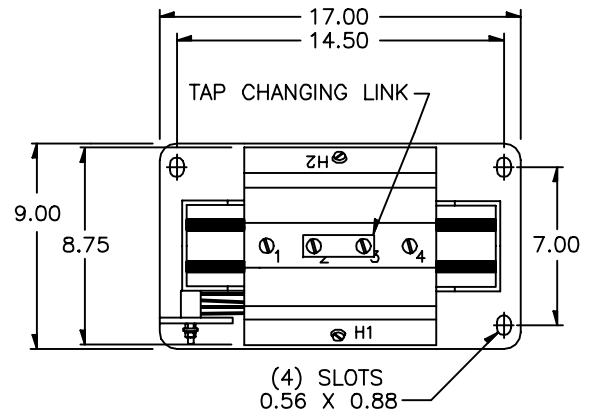
BARE CORNER FOR GROUNDING



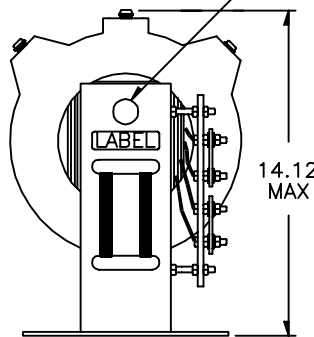
% RATED VOLTAGE	CONNECT HV LINK
107.5	1-2
100	2-3
92.5	3-4



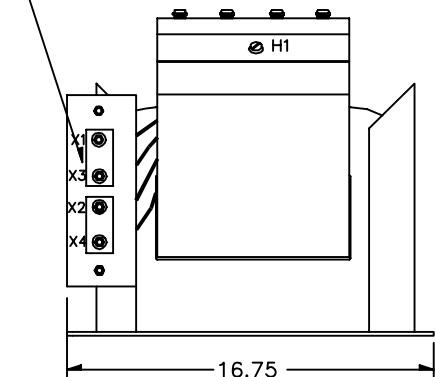
% RATED VOLTAGE	CONNECT HV LINK
105	1-2
102.5	2-3
100	3-4
97.5	4-5
95	5-6



(2) LIFTING HOLES
1.12 DIA.



(2) SERIES/PARALLEL LINKS



Refer to Sales for 50 Hz.

***CATALOG NO.	PRIMARY VOLTAGE	RATIO	SECONDARY VOLTAGE	**FUSE RATING
CPTS3-60-5-242	2400	20:1	120/240	7E
CPTS3-60-5-4161	4160	34.7:1	120/240	5E
CPTS3-60-5-482	4800	40:1	120/240	5E
CPTS5-95-5-722	7200	60:1	120/240	3E
CPTS5-95-5-842	8400	70:1	120/240	3E
CPTS5-95-5-123	12000	100:1	120/240	2E
CPTS5-95-5-1242	12470	104:1	120/240	2E
CPTS5-95-5-1322	13200	110:1	120/240	2E
CPTS5-95-5-1382	13800	115:1	120/240	2E
CPTS5-95-5-1442*	14400	120:1	120/240	2E

*Not available with primary taps.

**Note all fuse ratings are based upon NEC transformer overcurrent protection recommendations. Specific applications may require other ratings.

***For 1 $\pm 7-1/2\%$ taps use suffix "A" after Catalog No.

***For 2 $\pm 2-1/2\%$ taps use suffix "B" after Catalog No.

CONTROL POWER TRANSFORMERS

Model CPT3-60-10
Model CPT5-95-10

APPLICATION:

To provide control power in medium voltage switchgear.

FREQUENCY:

60 Hz.

INSULATION LEVEL:

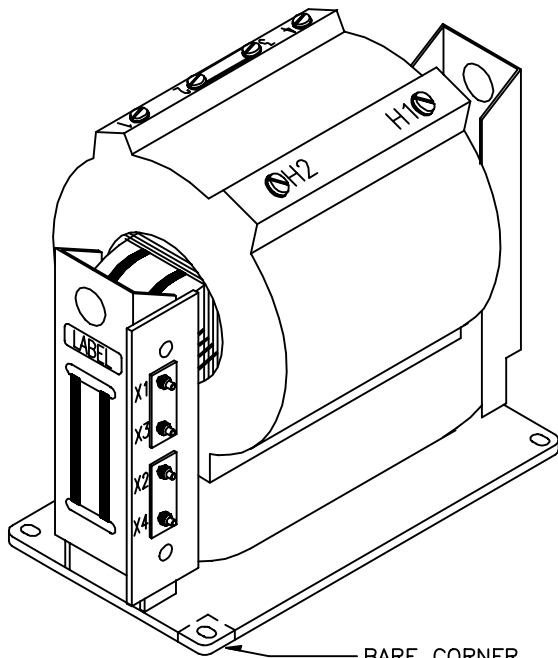
CPT3:
5 kV, 60 kV BIL full wave.

CPT5:
15 kV, 95 kV BIL full wave.

THERMAL RATING:

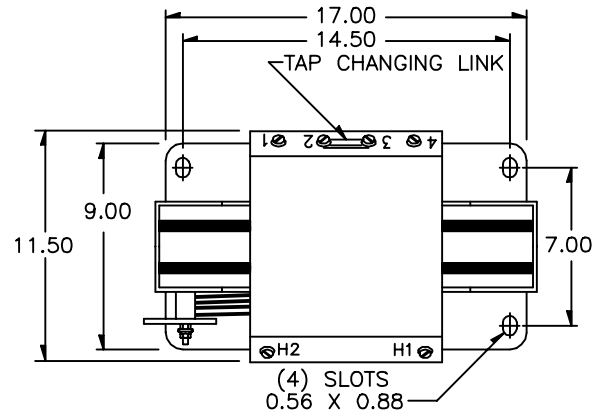
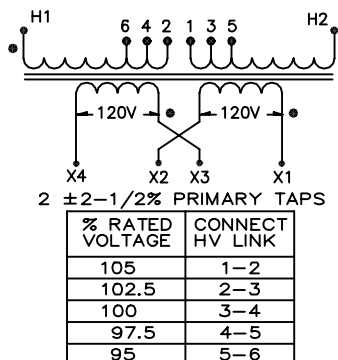
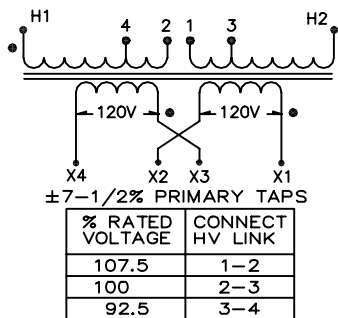
10 kVA at 30°C. ambient.
8.6 kVA at 55°C. ambient.

- Primary terminals are brass screws 1/4-20 with one flatwasher and starwasher.
- Secondary terminals are brass studs 1/2-13 with one flatwasher, lockwasher and two nuts, plus series/parallel links.
- The transformer High Voltage winding is vacuum encapsulated in epoxy resin.
- Supplied with $1\pm 7-1/2\%$ or $2\pm 2-1/2\%$ taps above & below nominal voltage on the primary winding.
- Available as unfused only.
- Self cooled.
- Steel mounting base.
- For indoor use.
- Approximate weight 250 lbs.

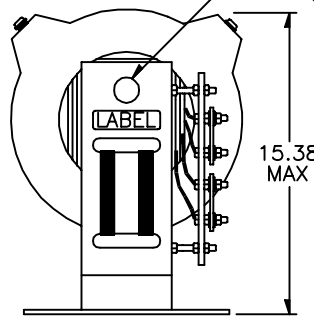


BARE CORNER FOR GROUNDING

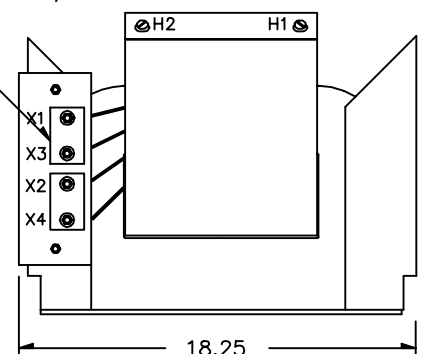
CONNECTION DIAGRAMS



(2) LIFTING HOLES
1.12 DIA.



(2) SERIES/PARALLEL LINKS



Refer to Sales for 50 Hz.

***CATALOG NO.	PRIMARY VOLTAGE	RATIO	SECONDARY VOLTAGE	**FUSE RATING
CPT3-60-10-242	2400	20:1	120/240	15E
CPT3-60-10-4161	4160	34.7:1	120/240	7E
CPT3-60-10-482	4800	40:1	120/240	7E
CPT5-95-10-722	7200	60:1	120/240	5E
CPT5-95-10-842	8400	70:1	120/240	5E
CPT5-95-10-123	12000	100:1	120/240	3E
CPT5-95-10-1242	12470	104:1	120/240	3E
CPT5-95-10-1322	13200	110:1	120/240	3E
CPT5-95-10-1382	13800	115:1	120/240	3E
CPT5-95-10-1442*	14400	120:1	120/240	3E

*Not available with primary taps.

**Note all fuse ratings are based upon NEC transformer overcurrent protection recommendations. Specific applications may require other ratings.

***For $1\pm 7-1/2\%$ taps use suffix "A" after Catalog No.

***For $2\pm 2-1/2\%$ taps use suffix "B" after Catalog No.

CONTROL POWER TRANSFORMERS

Model CPTS3-60-10
Model CPTS5-95-10

APPLICATION:

To provide control power in medium voltage switchgear.

FREQUENCY:

60 Hz.

INSULATION LEVEL:

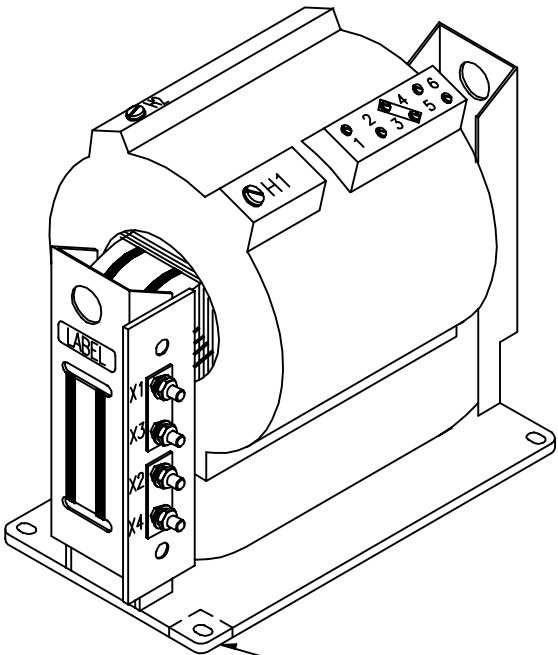
CPT3:
5 kV, 60 kV BIL full wave.

CPT5:
15 kV, 95 kV BIL full wave.

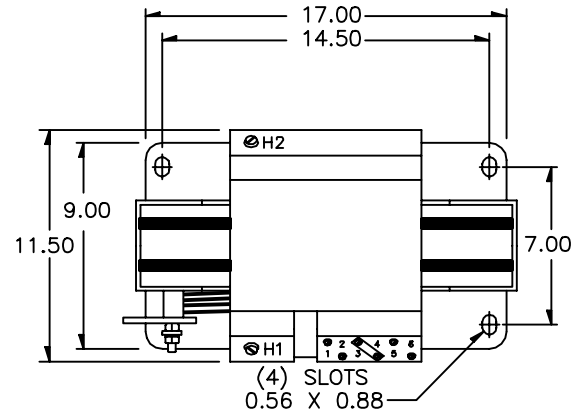
THERMAL RATING:

10 kVA at 30°C. ambient.
8.6 kVA at 55°C. ambient.

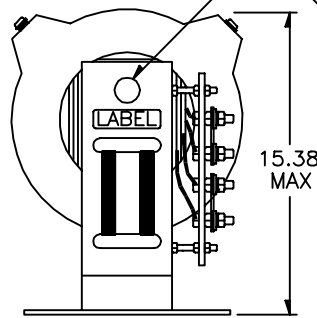
- Primary terminals are brass screws 1/4–20 with one flatwasher and starwasher.
- Secondary terminals are brass studs 1/2–13 with one flatwasher, lockwasher and two nuts, plus series/parallel links.
- The transformer High Voltage winding is vacuum encapsulated in epoxy resin.
- Supplied with 1 ±7–1/2% or 2 ±2–1/2% taps above and below nominal voltage on the primary winding.
- Available as unfused only.
- Self cooled.
- Steel mounting base.
- For indoor use.
- Approximate weight 250 lbs.



BARE CORNER FOR GROUNDING

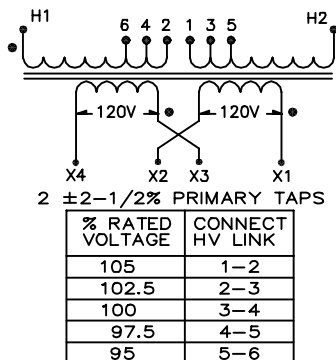
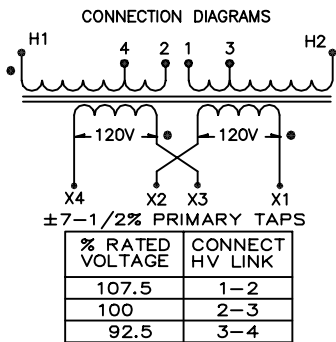
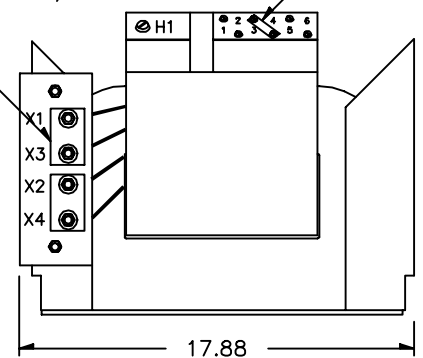


(2) LIFTING HOLES
1.12 DIA.



TAP CHANGING LINK

(2) SERIES/PARALLEL LINKS



Refer to Sales for 50 Hz.

***CATALOG NO.	PRIMARY VOLTAGE	RATIO	SECONDARY VOLTAGE	**FUSE RATING
CPTS3-60-10-242	2400	20:1	120/240	15E
CPTS3-60-10-4161	4160	34.7:1	120/240	7E
CPTS3-60-10-482	4800	40:1	120/240	7E
CPTS5-95-10-722	7200	60:1	120/240	5E
CPTS5-95-10-842	8400	70:1	120/240	5E
CPTS5-95-10-123	12000	100:1	120/240	3E
CPTS5-95-10-1242	12470	104:1	120/240	3E
CPTS5-95-10-1322	13200	110:1	120/240	3E
CPTS5-95-10-1382	13800	115:1	120/240	3E
CPTS5-95-10-1442*	14400	120:1	120/240	3E

*Not available with primary taps.

**Note all fuse ratings are based upon NEC transformer overcurrent protection recommendations. Specific applications may require other ratings.

***For 1 ±7–1/2% taps use suffix "A" after Catalog No.

***For 2 ±2–1/2% taps use suffix "B" after Catalog No.

CONTROL POWER TRANSFORMERS

Model CPT3-60-15
Model CPT5-95-15

APPLICATION:

To provide control power in medium voltage switchgear.

FREQUENCY:

60 Hz.

INSULATION LEVEL:

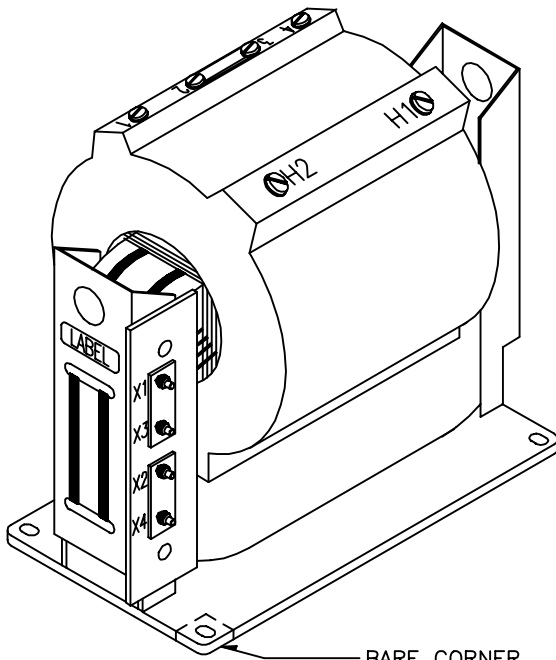
CPT3:
5 kV, 60 kV BIL full wave.

CPT5:
15 kV, 95 kV BIL full wave.

THERMAL RATING:

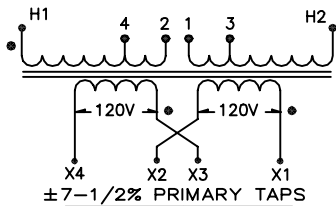
15 kVA at 30°C. ambient.
12.9 kVA at 55°C. ambient.

- Primary terminals are brass screws 1/4-20 with one flatwasher and starwasher.
- Secondary terminals are brass studs 1/2-13 with one flatwasher, lockwasher and two nuts, plus series/parallel links.
- The transformer High Voltage winding is vacuum encapsulated in epoxy resin.
- Supplied with 1±7-1/2% or 2±2-1/2% taps above & below nominal voltage on the primary winding.
- Available as unfused only.
- Self cooled.
- Steel mounting base.
- For indoor use.
- Approximate weight 290 lbs.

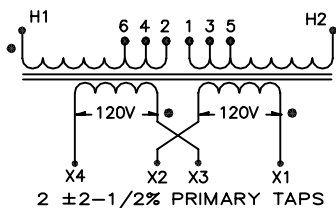


BARE CORNER FOR GROUNDING

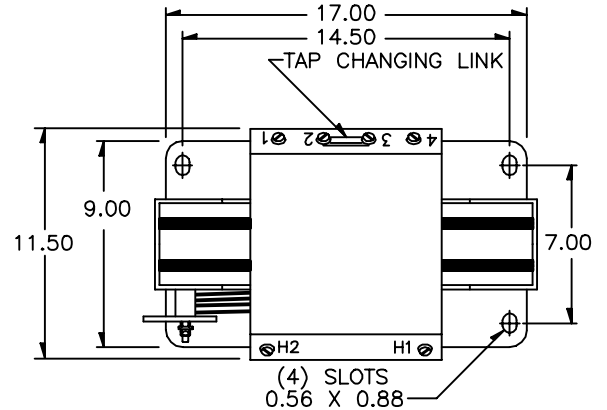
CONNECTION DIAGRAMS



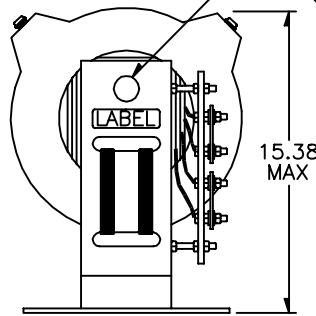
% RATED VOLTAGE	CONNECT HV LINK
107.5	1-2
100	2-3
92.5	3-4



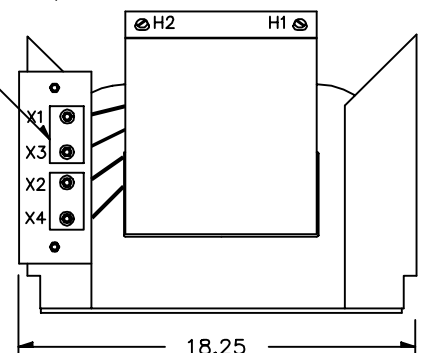
% RATED VOLTAGE	CONNECT HV LINK
105	1-2
102.5	2-3
100	3-4
97.5	4-5
95	5-6



(2) LIFTING HOLES
1.12 DIA.



(2) SERIES/PARALLEL LINKS



Refer to Sales for 50 Hz.

***CATALOG NO.	PRIMARY VOLTAGE	RATIO	SECONDARY VOLTAGE	**FUSE RATING
CPT3-60-15-242	2400	20:1	120/240	15E
CPT3-60-15-4161	4160	34.7:1	120/240	10E
CPT3-60-15-482	4800	40:1	120/240	10E
CPT5-95-15-722	7200	60:1	120/240	7E
CPT5-95-15-842	8400	70:1	120/240	7E
CPT5-95-15-123	12000	100:1	120/240	5E
CPT5-95-15-1242	12470	104:1	120/240	5E
CPT5-95-15-1322	13200	110:1	120/240	5E
CPT5-95-15-1382	13800	115:1	120/240	5E
CPT5-95-15-1442*	14400	120:1	120/240	5E

*Not available with primary taps.

**Note all fuse ratings are based upon NEC transformer overcurrent protection recommendations. Specific applications may require other ratings.

***For 1±7-1/2% taps use suffix "A" after Catalog No.

***For 2±2-1/2% taps use suffix "B" after Catalog No.

CONTROL POWER TRANSFORMERS

Model CPTS3-60-15
Model CPTS5-95-15

APPLICATION:

To provide control power in medium voltage switchgear.

FREQUENCY:

60 Hz.

INSULATION LEVEL:

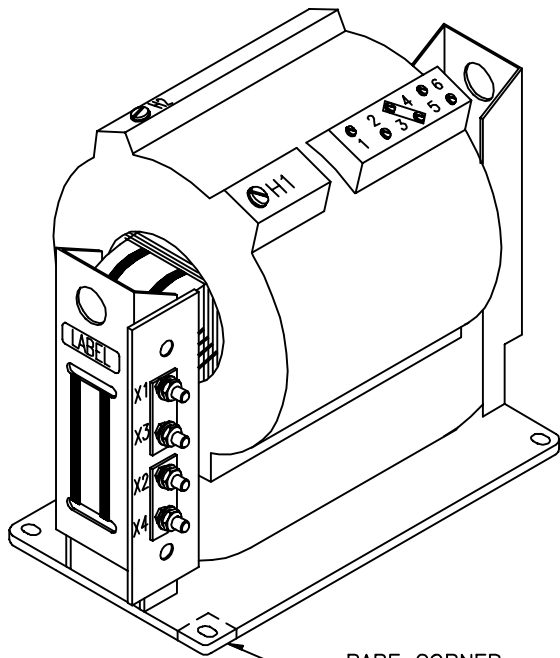
CPT3:
5 kV, 60 kV BIL full wave.

CPT5:
15 kV, 95 kV BIL full wave.

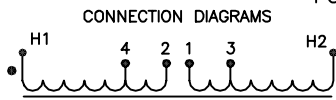
THERMAL RATING:

15 kVA at 30°C. ambient.
12.9 kVA at 55°C. ambient.

- Primary terminals are brass screws 1/4-20 with one flatwasher and starwasher.
- Secondary terminals are brass studs 1/2-13 with one flatwasher, lockwasher and two nuts, plus series/parallel links.
- The transformer High Voltage winding is vacuum encapsulated in epoxy resin.
- Supplied with $1 \pm 7\frac{1}{2}\%$ or $2 \pm 2\frac{1}{2}\%$ taps above and below nominal voltage on the primary winding.
- Available as unfused only.
- Self cooled.
- Steel mounting base.
- For indoor use.
- Approximate weight 290 lbs.



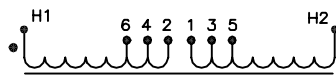
BARE CORNER FOR GROUNDING



CONNECTION DIAGRAMS

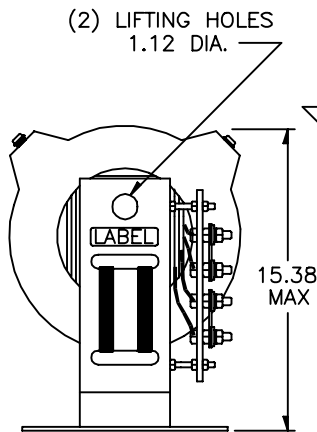
% RATED VOLTAGE	CONNECT HV LINK
107.5	1-2
100	2-3
92.5	3-4

±7-1/2% PRIMARY TAPS



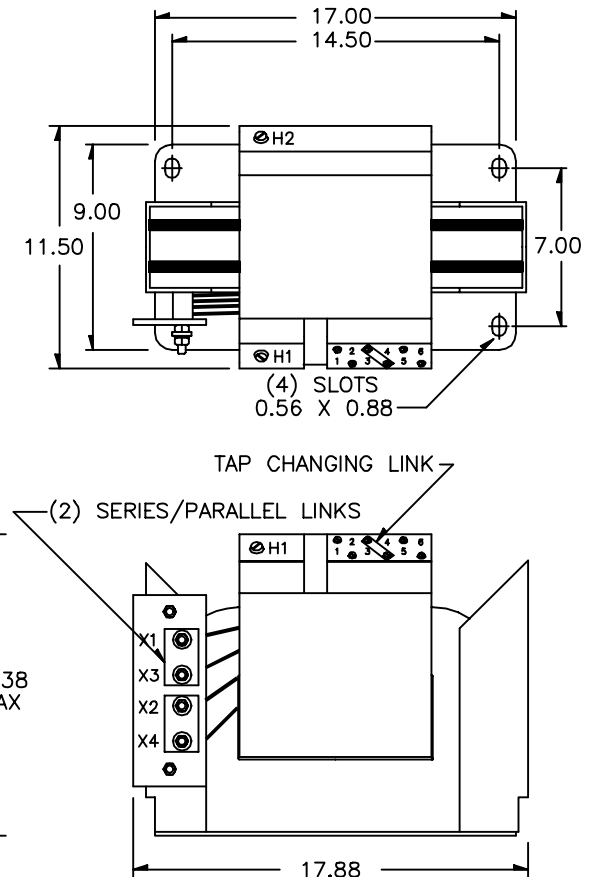
% RATED VOLTAGE	CONNECT HV LINK
105	1-2
102.5	2-3
100	3-4
97.5	4-5
95	5-6

2 ±2-1/2% PRIMARY TAPS



(2) LIFTING HOLES
1.12 DIA.

15.38
MAX



(4) SLOTS
0.56 X 0.88

TAP CHANGING LINK

(2) SERIES/PARALLEL LINKS

17.88

Refer to Sales for 50 Hz.

***CATALOG NO.	PRIMARY VOLTAGE	RATIO	SECONDARY VOLTAGE	**FUSE RATING
CPTS3-60-15-242	2400	20:1	120/240	15E
CPTS3-60-15-4161	4160	34.7:1	120/240	10E
CPTS3-60-15-482	4800	40:1	120/240	10E
CPTS5-95-15-722	7200	60:1	120/240	7E
CPTS5-95-15-842	8400	70:1	120/240	7E
CPTS5-95-15-123	12000	100:1	120/240	5E
CPTS5-95-15-1242	12470	104:1	120/240	5E
CPTS5-95-15-1322	13200	110:1	120/240	5E
CPTS5-95-15-1382	13800	115:1	120/240	5E
CPTS5-95-15-1442*	14400	120:1	120/240	5E

*Not available with primary taps.

**Note all fuse ratings are based upon NEC transformer overcurrent protection recommendations. Specific applications may require other ratings.

***For 1 ±7-1/2% taps use suffix "A" after Catalog No.

***For 2 ±2-1/2% taps use suffix "B" after Catalog No.

CONTROL POWER TRANSFORMER

Model CPT3-60-25

APPLICATION:

To provide control power in medium voltage switchgear.

FREQUENCY:

60 Hz.

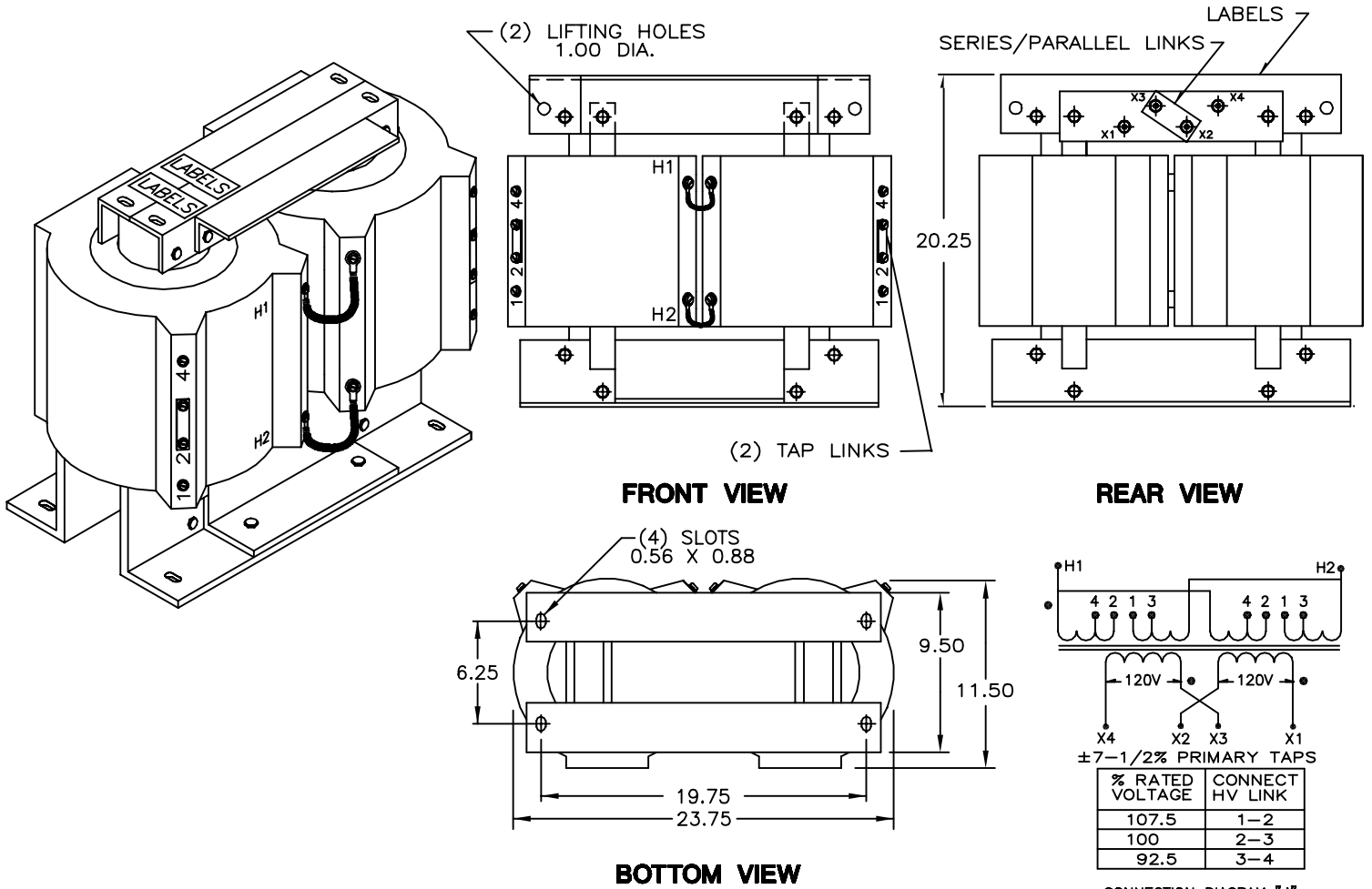
INSULATION LEVEL:

5 kV Class
60 kV BIL full wave.

THERMAL RATING:

25 kVA at 30°C. ambient.
21.5 kVA at 55°C. ambient.

- Primary terminals are brass screws 1/4-20 with one flatwasher and starwasher.
- Secondary terminals are brass studs 1/2-13 with one flatwasher, lockwasher and two regular nuts.
- The transformer High Voltage winding is vacuum encapsulated in epoxy resin.
- Supplied with $1 \pm 7-1/2\%$ or $2 \pm 2-1/2\%$ taps above & below nominal voltage on the primary winding.
- Available as unfused only.
- Self cooled.
- Steel mounting base.
- For indoor use.
- Approximate weight 411 lbs.



Refer to Sales for 50 Hz.

**CATALOG NO.	PRIMARY VOLTAGE	RATIO	SECONDARY VOLTAGE	*FUSE RATING
CPT3-60-25-242	2400	20:1	120/240	25E
CPT3-60-25-4161	4160	34.7:1	120/240	15E
CPT3-60-25-482	4800	40:1	120/240	15E

*Note all fuse ratings are based upon NEC transformer overcurrent protection recommendations. Specific applications may require other ratings.

**For $1 \pm 7-1/2\%$ taps use suffix "A" after Catalog No.

**For $2 \pm 2-1/2\%$ taps use suffix "B" after Catalog No.

CONTROL POWER TRANSFORMER

Model CPTN5-95-25

APPLICATION:

To provide control power in medium voltage switchgear.

FREQUENCY:

60 Hz.

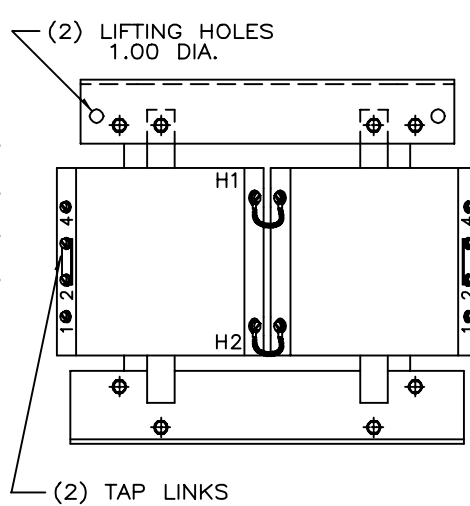
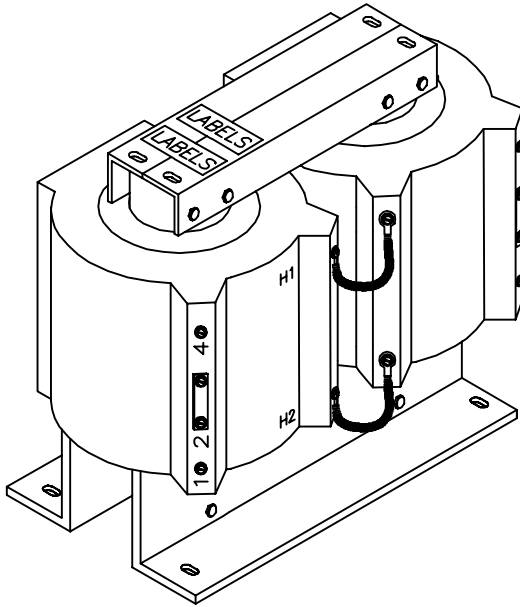
INSULATION LEVEL:

15 kV Class
95 kV BIL full wave.

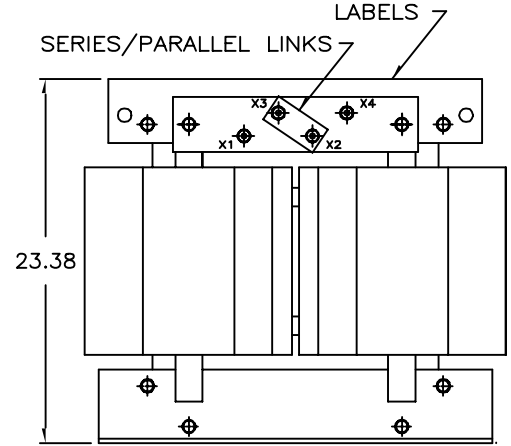
THERMAL RATING:

25 kVA at 30°C. ambient.
21.5 kVA at 55°C. ambient.

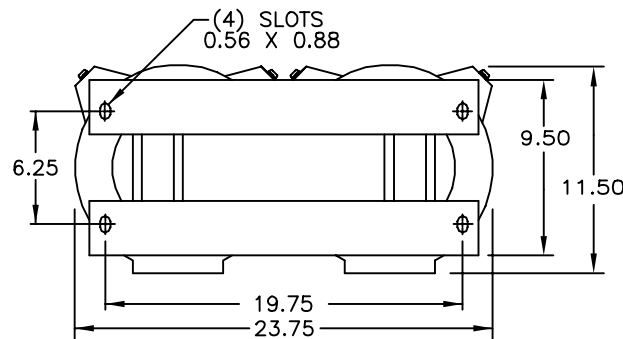
- Primary terminals are brass screws 1/4-20 with one flatwasher and starwasher.
- Secondary terminals are brass studs 1/2-13 with one flatwasher, lockwasher and two regular nuts.
- The transformer High Voltage winding is vacuum encapsulated in epoxy resin.
- Supplied with $1 \pm 7-1/2\%$ or $2 \pm 2-1/2\%$ taps above & below nominal voltage on the primary winding.
- Available as unfused only.
- Self cooled.
- Steel mounting base.
- For indoor use.
- Approximate weight 450 lbs.



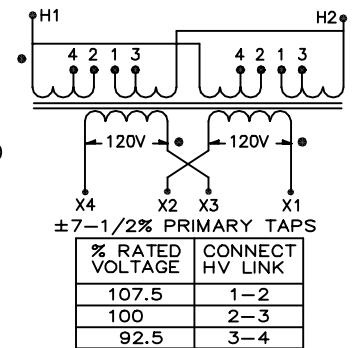
FRONT VIEW



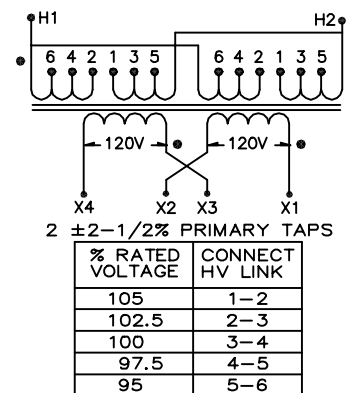
REAR VIEW



BOTTOM VIEW



CONNECTION DIAGRAM "A"



CONNECTION DIAGRAM "B"

Refer to Sales for 50 Hz.

**CATALOG NO.	PRIMARY VOLTAGE	RATIO	SECONDARY VOLTAGE	*FUSE RATING
CPTN5-95-25-722	7200	60:1	120/240	10E
CPTN5-95-25-842	8400	70:1	120/240	10E
CPTN5-95-25-123	12000	100:1	120/240	7E
CPTN5-95-25-1242	12470	104:1	120/240	7E
CPTN5-95-25-1322	13200	110:1	120/240	7E
CPTN5-95-25-1382	13800	115:1	120/240	7E
CPTN5-95-25-1442	14400	120:1	120/240	7E

*Note all fuse ratings are based upon NEC transformer overcurrent protection recommendations. Specific applications may require other ratings.

**For $1 \pm 7-1/2\%$ taps use suffix "A" after Catalog No.

**For $2 \pm 2-1/2\%$ taps use suffix "B" after Catalog No.

CONTROL POWER TRANSFORMER

Model CPT3-60-37.5

APPLICATION:

To provide control power in medium voltage switchgear.

FREQUENCY:

60 Hz.

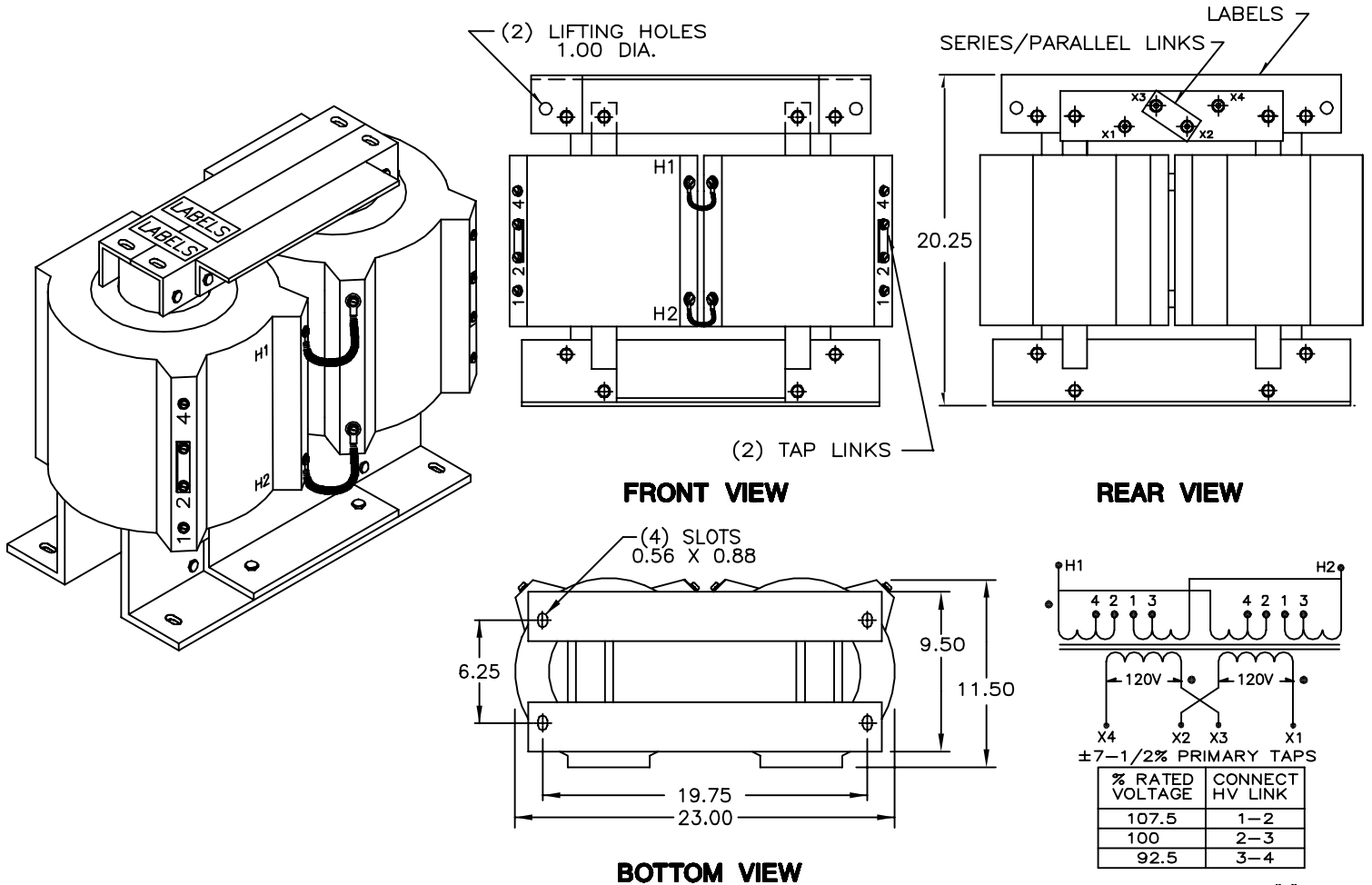
INSULATION LEVEL:

5 kV Class
60 kV BIL full wave.

THERMAL RATING:

37.5 kVA at 30°C. ambient.
32.2 kVA at 55°C. ambient.

- Primary terminals are brass screws 1/4-20 with one flatwasher and starwasher.
- Secondary terminals are brass studs 1/2-13 with one flatwasher, lockwasher and two regular nuts.
- The transformer High Voltage winding is vacuum encapsulated in epoxy resin.
- Supplied with $1 \pm 7-1/2\%$ or $2 \pm 2-1/2\%$ taps above & below nominal voltage on the primary winding.
- Available as unfused only.
- Self cooled.
- Steel mounting base.
- For indoor use.
- Approximate weight 450 lbs.



Refer to Sales for 50 Hz.

**CATALOG NO.	PRIMARY VOLTAGE	RATIO	SECONDARY VOLTAGE	*FUSE RATING
CPT3-60-37.5-242	2400	20:1	120/240	40E
CPT3-60-37.5-4161	4160	34.7:1	120/240	20E
CPT3-60-37.5-482	4800	40:1	120/240	20E

*Note all fuse ratings are based upon NEC transformer overcurrent protection recommendations. Specific applications may require other ratings.

**For $1 \pm 7-1/2\%$ taps use suffix "A" after Catalog No.

**For $2 \pm 2-1/2\%$ taps use suffix "B" after Catalog No.

CONTROL POWER TRANSFORMER

Model CPTN5-95-37.5

APPLICATION:

To provide control power in medium voltage switchgear.

FREQUENCY:

60 Hz.

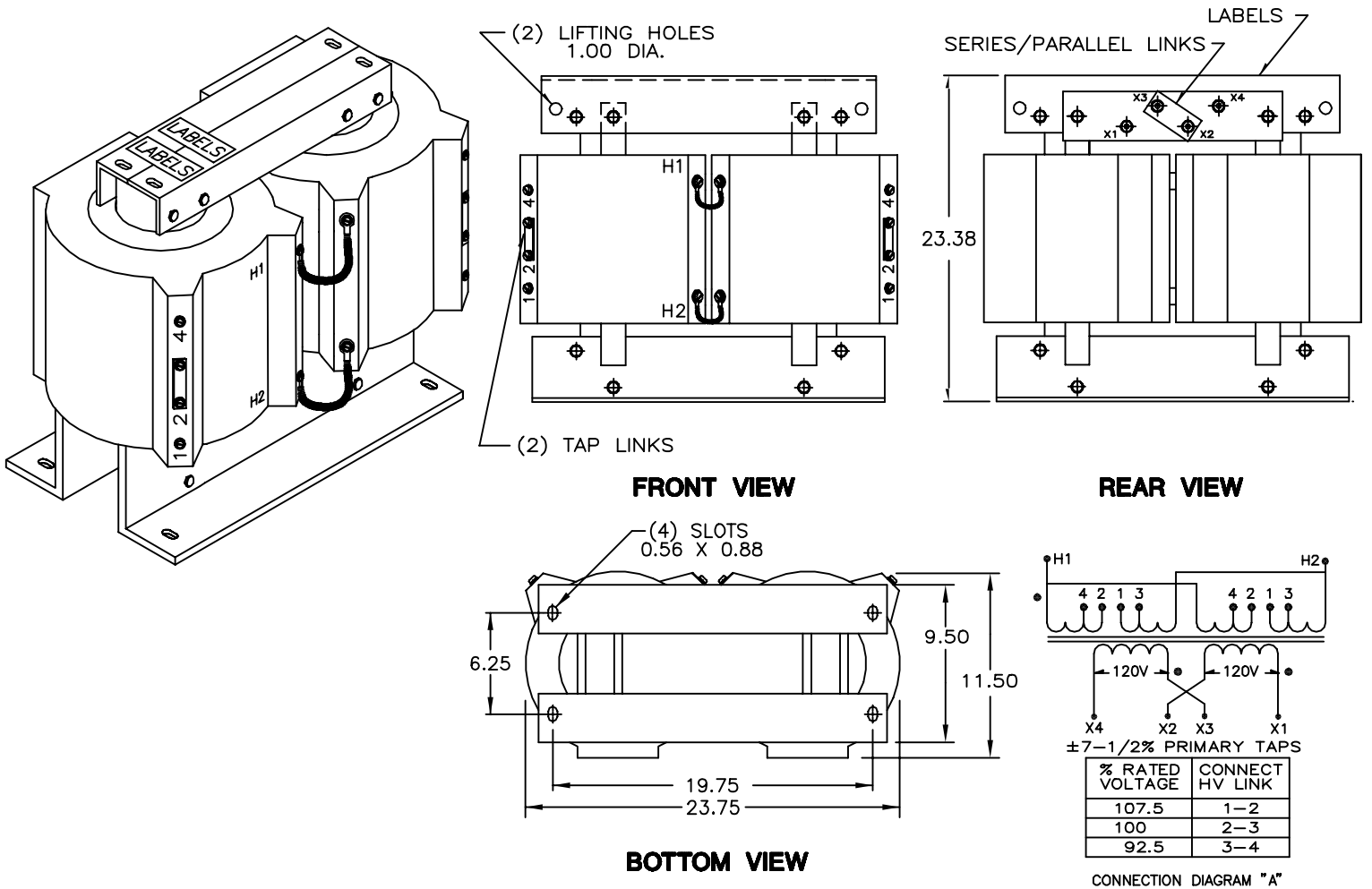
INSULATION LEVEL:

15 kV Class
95 kV BIL full wave.

THERMAL RATING:

37.5 kVA at 30°C. ambient.
32.2 kVA at 55°C. ambient.

- Primary terminals are brass screws 1/4-20 with one flatwasher and starwasher.
- Secondary terminals are brass studs 1/2-13 with one flatwasher, lockwasher and two regular nuts.
- The transformer High Voltage winding is vacuum encapsulated in epoxy resin.
- Supplied with $1 \pm 7-1/2\%$ or $2 \pm 2-1/2\%$ taps above & below nominal voltage on the primary winding.
- Available as unfused only.
- Self cooled.
- Steel mounting base.
- For indoor use.
- Approximate weight 450 lbs.



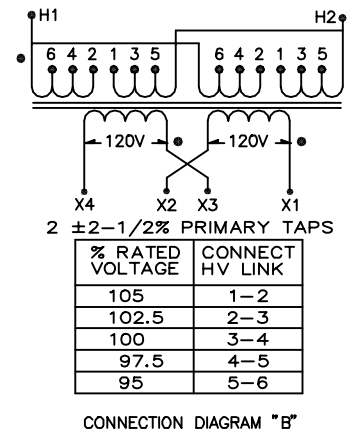
Refer to Sales for 50 Hz.

**CATALOG NO.	PRIMARY VOLTAGE	RATIO	SECONDARY VOLTAGE	*FUSE RATING
CPTN5-95-37.5-722	7200	60:1	120/240	20E
CPTN5-95-37.5-842	8400	70:1	120/240	20E
CPTN5-95-37.5-123	12000	100:1	120/240	10E
CPTN5-95-37.5-1242	12470	104:1	120/240	10E
CPTN5-95-37.5-1322	13200	110:1	120/240	10E
CPTN5-95-37.5-1382	13800	115:1	120/240	10E
CPTN5-95-37.5-1442	14400	120:1	120/240	10E

*Note all fuse ratings are based upon NEC transformer overcurrent protection recommendations. Specific applications may require other ratings.

**For $1 \pm 7-1/2\%$ taps use suffix "A" after Catalog No.

**For $2 \pm 2-1/2\%$ taps use suffix "B" after Catalog No.



CONNECTION DIAGRAM "B"

CONTROL POWER TRANSFORMER

Models CPTD3-60-50
CPTD5-95-50

APPLICATION:

To provide control power in medium voltage switchgear, self-cooled, for indoor use only

FREQUENCY:

60 Hz.

INSULATION LEVEL:

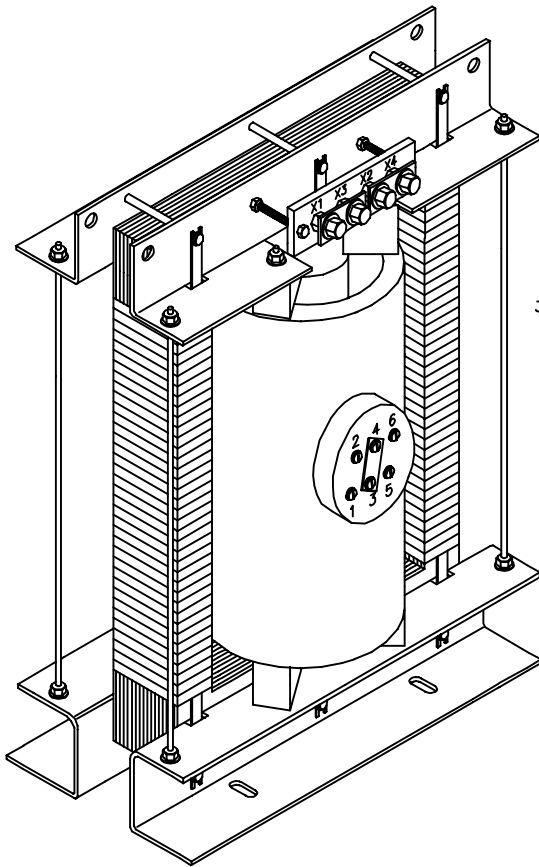
CPTD3-5kV Class, 60kV B.I.L.
Full Wave 150°C

CPTD5-15kV Class, 95kV B.I.L.
Full Wave 150°C

THERMAL RATING:

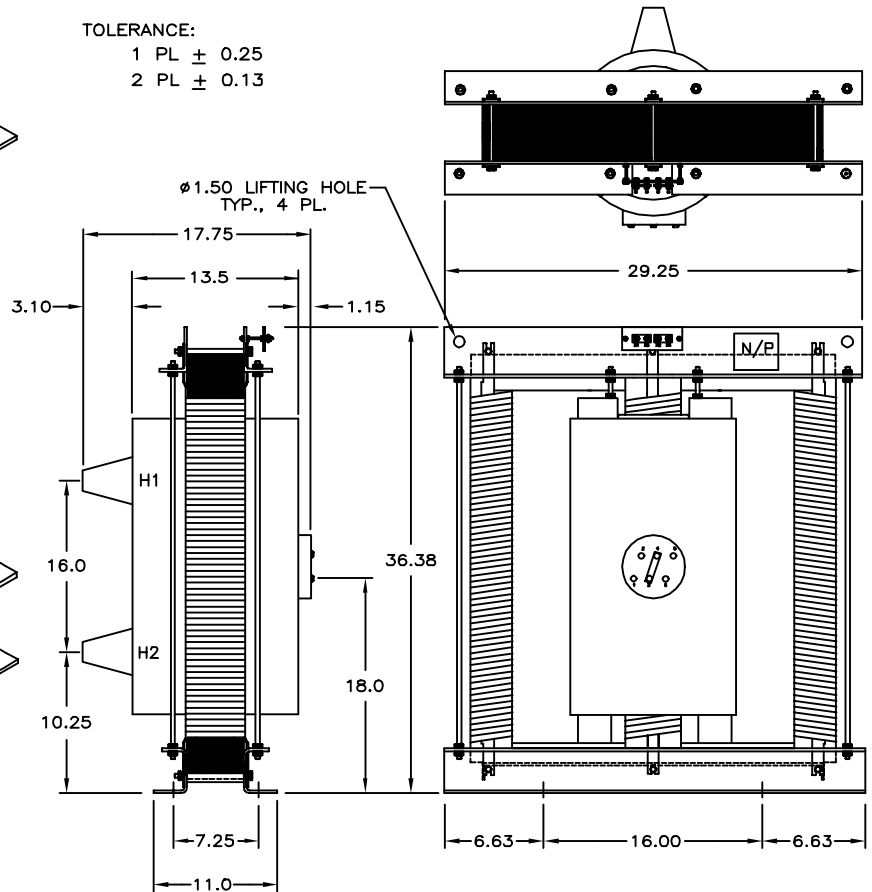
50 kVA at 30°C ambient.
42.9 kVA at 55°C ambient.
80°C rise.

- Construction: The high and low voltage coils are vacuum encapsulated in epoxy resin. Complete unit is varnish dipped.
- Mounting base is steel with (4) 0.56 X 1.50 slots.
- Primary terminals are 3/8-16 inserts.
- Secondary terminals are 1/2-13 brass studs.
- Supplied with taps on primary side:
Cat. suffix A - $\pm 7-1/2\%$ taps or
Cat. suffix B - (2) $\pm 2-1/2\%$ taps.
- Secondary typically 120/240 V operation, consult factory for single voltages.
- Available as unfused only.
- For indoor use.
- Approximate weight: 750 lbs.



TOLERANCE:

- 1 PL ± 0.25
- 2 PL ± 0.13



PRIMARY VOLTS	CONNECT
107.5%	1 - 2
100%	2 - 3
92.5%	3 - 4

1 $\pm 7-1/2\%$ PRIMARY TAPS
SUFFIX "A"

PRIMARY VOLTS	CONNECT
105%	1 - 2
102.5%	2 - 3
100%	3 - 4
97.5%	4 - 5
92.5%	5 - 6

2 $\pm 2-1/2\%$ PRIMARY TAPS
SUFFIX "B"

* TAP SUFFIX "A" or "B"

CATALOG NUMBER	PRIMARY VOALTAGE	VOLTAGE RATIO	FUSE RATING
CPTD3-60-50-242*	2400	20:1	40E
CPTD3-60-50-4161*	4160	34.7:1	25E
CPTD3-60-50-482*	4800	40:1	25E
CPTD5-95-50-722*	7200	60:1	25E
CPTD5-95-50-842*	8400	70:1	25E
CPTD5-95-50-123*	12000	100:1	15E
CPTD5-95-50-1242*	12470	103.9:1	15E
CPTD5-95-50-1322*	13200	110:1	10E
CPTD5-95-50-1382*	13800	115:1	10E
CPTD5-95-50-1442*	14400	120:1	10E

STANDARD TYPICAL VOLTAGES - CONSULT FACTORY FOR SPECIALS

CONTROL POWER TRANSFORMER

Models **CPTD5-95-25**
CPTD5-95-37.5

APPLICATION:

To provide control power in medium voltage switchgear, self-cooled, for indoor use only

FREQUENCY:

60 Hz.

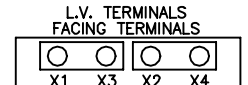
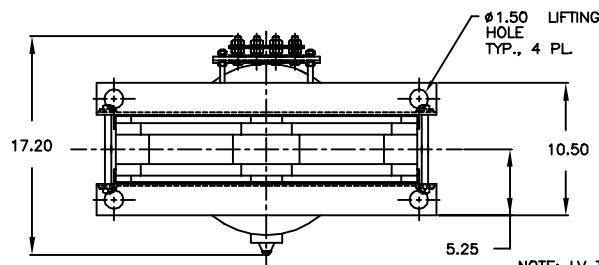
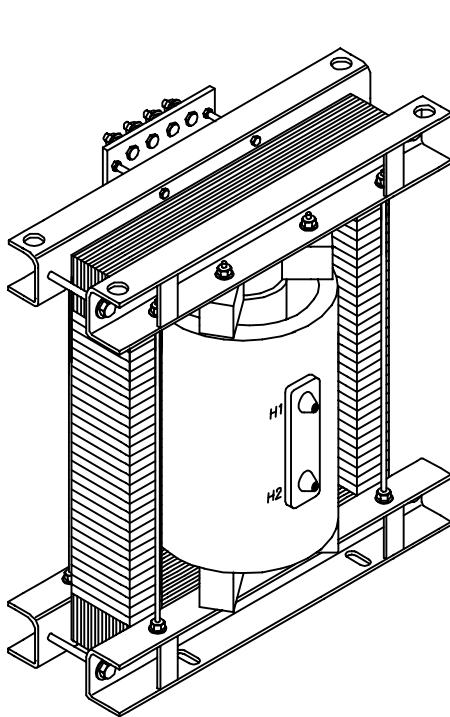
INSULATION LEVEL:

15 kV Class 95 kV B.I.L.
150°C.

THERMAL RATING:

25 kVA at 30°C ambient.
21.5 kVA at 55°C ambient.
80°C rise.
37.5 kVA at 30°C ambient.
32.2 kVA at 55°C ambient.
80°C rise.

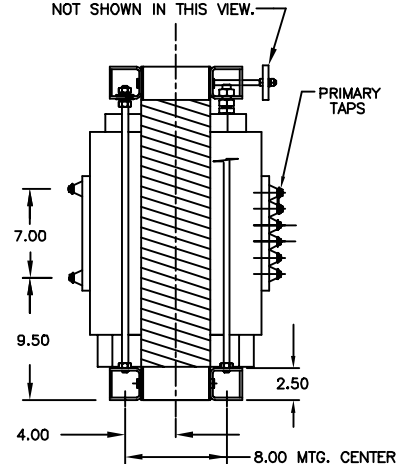
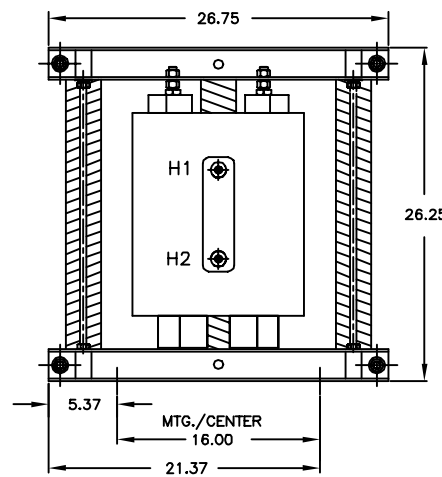
- Partial discharge free at rated voltage in accordance with Canadian standard C9.
- H.V. Terminals are 3/8-16 UNC 2B brass insert.
- L.V. Terminals are 1/2-13 UNC 2A brass studs.
- Secondary terminals are 1/2-13 brass studs.
- Windings are encapsulated in epoxy resin. Mounting base is steel. Assembly is varnish treated.
- (4) Mounting slots are 0.56 x 1.50, Typ.
- Low voltage 120/240.
- For indoor use.
- Approximate weight: 650 lbs.



JUMPER CONNECTIONS TERMINALS #	VOLTAGE
X1 - X3 X2 - X4	120V
X2 - X3	240V

LOAD CONNECTIONS X1 - X4

NOTE: LV TERMINAL CONNECTOR NOT SHOWN IN THIS VIEW.



PRIMARY VOLTS	CONNECT
107.5%	1 - 2
100%	2 - 3
92.5%	3 - 4

1 ±7-1/2% PRIMARY TAPS
SUFFIX "A"

* Tap suffix "A" or "B"
** Note all fuse ratings are based upon NEC transformer overcurrent protection recommendations. Specific applications may require other ratings.

PRIMARY VOLTS	CONNECT
105%	1 - 2
102.5%	2 - 3
100%	3 - 4
97.5%	4 - 5
92.5%	5 - 6

2 ±2-1/2% PRIMARY TAPS
SUFFIX "B"

CATALOG NUMBER	PRIMARY VOALTAGE	VOLTAGE RATIO	** FUSE RATING 25 kVA
CPTD5-95-25-722 *	7200	60:1	10E
CPTD5-95-25-842 *	8400	70:1	10E
CPTD5-95-25-123 *	12000	100:1	7E
CPTD5-95-25-1242 *	12470	104:1	7E
CPTD5-95-25-1322 *	13200	110:1	7E
CPTD5-95-25-1382 *	13800	115:1	7E
CPTD5-95-25-1442 *	14400	120:1	7E

CATALOG NUMBER	PRIMARY VOALTAGE	VOLTAGE RATIO	** FUSE RATING 37.5 kVA
CPTD5-95-37.5-722 *	7200	60:1	20E
CPTD5-95-37.5-842 *	8400	70:1	20E
CPTD5-95-37.5-123 *	12000	100:1	10E
CPTD5-95-37.5-1242 *	12470	104:1	10E
CPTD5-95-37.5-1322 *	13200	110:1	10E
CPTD5-95-37.5-1382 *	13800	115:1	10E
CPTD5-95-37.5-1442 *	14400	120:1	10E

STANDARD TYPICAL VOLTAGES - CONSULT FACTORY FOR SPECIALS

CONTROL POWER TRANSFORMER

Models **CPTD7-150-25**
CPTD7-150-37.5
CPTD7-150-50

APPLICATION:

To provide control power in medium voltage switchgear, self-cooled, for indoor use only.

FREQUENCY:

60 Hz.

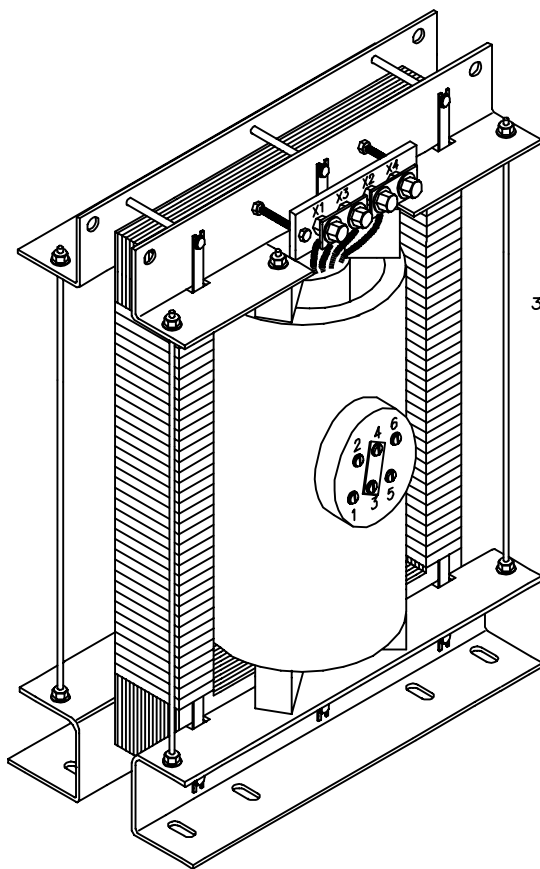
INSULATION LEVEL:

34.5 kV, 150 kV BIL full wave. Transformer is partial discharge free at rated voltage. 150°C

THERMAL RATING:

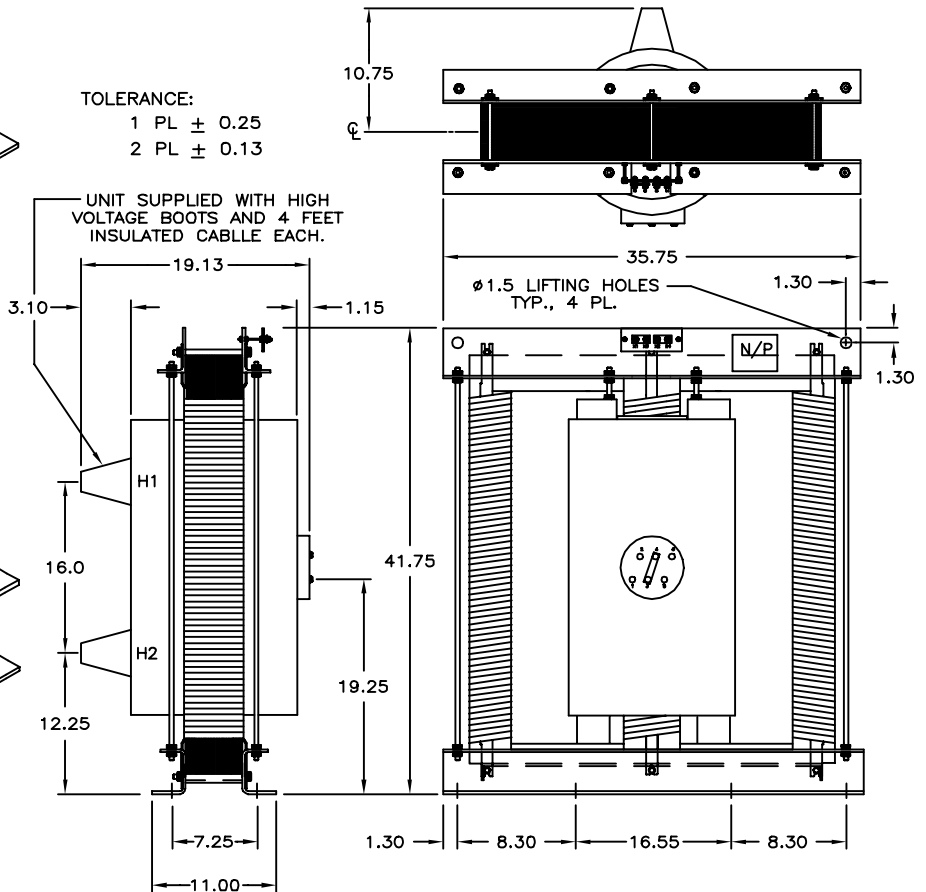
25 kVA at 30°C ambient.
 21.5 kVA at 55°C ambient.
 37.5 kVA at 30°C ambient.
 32.2 kVA at 55°C ambient.
 50 kVA at 30°C ambient.
 42.9 kVA at 55°C ambient.
 80°C rise.

- Primary terminals are 3/8-16 inserts.
- Secondary terminals are 1/2-13 brass studs.
- The high and low voltage coils are vacuum encapsulated in epoxy resin. Complete unit is varnish dipped.
- Supplied with taps on primary side: Cat. suffix A - $\pm 7-1/2\%$ taps or Cat. suffix B - $(2) \pm 2-1/2\%$ taps.
- Secondary typically 120/240 V operation, consult factory for single voltages.
- Available as unfused only.
- Steel mounting base with (8) 0.56 X 1.50 slots.
- For indoor use.
- Approximate weight 750 lbs.



TOLERANCE:
 1 PL ± 0.25
 2 PL ± 0.13

UNIT SUPPLIED WITH HIGH VOLTAGE BOOTS AND 4 FEET INSULATED CABLE EACH.



PRIMARY VOLTS	CONNECT
107.5%	1 - 2
100%	2 - 3
92.5%	3 - 4

1 $\pm 7-1/2\%$ PRIMARY TAPS SUFFIX "A"

PRIMARY VOLTS	CONNECT
105%	1 - 2
102.5%	2 - 3
100%	3 - 4
97.5%	4 - 5
92.5%	5 - 6

2 $\pm 2-1/2\%$ PRIMARY TAPS SUFFIX "B"

* TAP SUFFIX "A" or "B"

CATALOG NUMBER			PRIMARY VOALTAGE	VOLTAGE RATIO
25 kVA	37.5 kVA	50 kVA		
CPTD7-150-25-123*	CPTD7-150-37.5-123*	CPTD7-150-50-123*	12000	100:1
CPTD7-150-25-1242*	CPTD7-150-37.5-1242*	CPTD7-150-50-1242*	12400	110:1
CPTD7-150-25-1382*	CPTD7-150-37.5-1382*	CPTD7-150-50-1382*	13800	115:1
CPTD7-150-25-1442*	CPTD7-150-37.5-1442*	CPTD7-150-50-1442*	14400	120:1
CPTD7-150-25-2762*	CPTD7-150-37.5-2762*	CPTD7-150-50-2762*	27600	230:1
CPTD7-150-25-2882*	CPTD7-150-37.5-2882*	CPTD7-150-50-2882*	28800	240:1
CPTD7-150-25-3452*	CPTD7-150-37.5-3452*	CPTD7-150-50-3452*	34500	287.5:1

STANDARD TYPICAL VOLTAGES - CONSULT FACTORY FOR SPECIALS

CONTROL POWER TRANSFORMER

Models **CPTD3-60-75**
CPTD5-95-75

APPLICATION:

To provide control power in medium voltage switchgear, self-cooled, for indoor use only

FREQUENCY:

60 Hz.

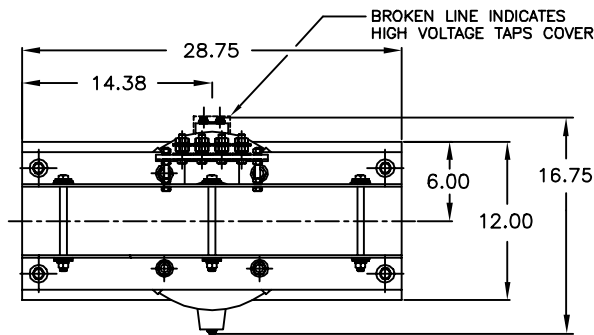
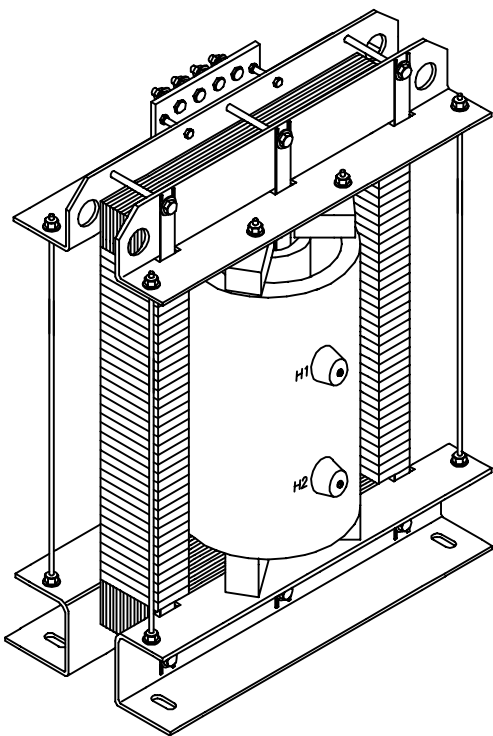
INSULATION LEVEL:

5kV & 15kV Class 60kV & 95kV B.I.L., 150°C.

THERMAL RATING:

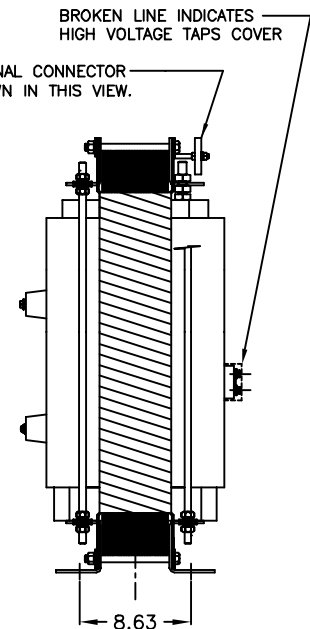
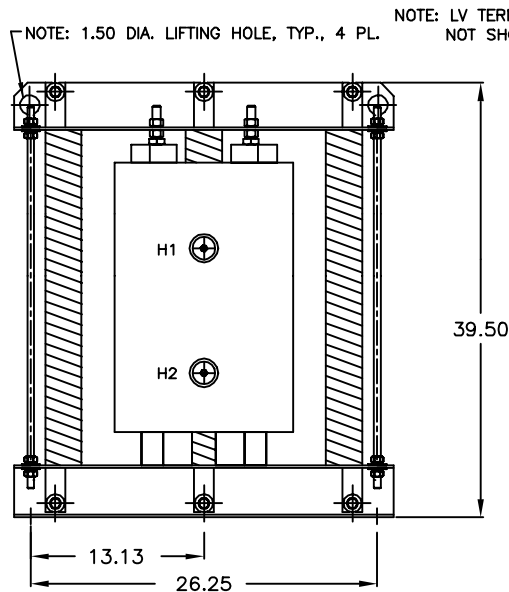
75 kVA at 30°C ambient.
64.3 kVA at 55°C ambient.
80°C rise.

- Partial discharge free at rated voltage in accordance with Canadian standard C9.
- H.V. Terminals are 3/8-16 UNC 2B brass insert.
- L.V. Terminals are 3/4-16 UNF 2A brass studs.
- Windings are encapsulated in epoxy resin. Mounting base is steel. Assembly is varnish treated.
- (4) Mounting slots are 0.56 x 1.50, Typ.
- Secondary voltage 120/240.
- For indoor use.
- Approximate weight: 900 lbs.



L.V. TERMINALS FACING TERMINALS			
○	○	○	○
X1	X3	X2	X4
JUMPER CONNECTIONS TERMINALS #		VOLTAGE	
X1 - X3	X2 - X4	120V	
X2 - X3		240V	

LOAD CONNECTION X1 - X4



PRIMARY VOLTS	CONNECT
107.5%	1 - 2
100%	2 - 3
92.5%	3 - 4

1 ±7-1/2% PRIMARY TAPS
SUFFIX "A"

PRIMARY VOLTS	CONNECT
105%	1 - 2
102.5%	2 - 3
100%	3 - 4
97.5%	4 - 5
92.5%	5 - 6

2 ±2-1/2% PRIMARY TAPS
SUFFIX "B"

* Tap suffix "A" or "B"

** Note all fuse ratings are based upon NEC transformer overcurrent protection recommendations. Specific applications may require other ratings.

CATALOG NUMBER	PRIMARY VOALTAGE	VOLTAGE RATIO AT 120V	** FUSE RATING
CPTD3-60-75-4161 *	4160	34.7:1	40E
CPTD3-60-75-482 *	4800	40:1	30E
CPTD5-95-75-722 *	7200	60:1	30E
CPTD5-95-75-842 *	8400	70:1	30E
CPTD5-95-75-123 *	12000	100:1	20E
CPTD5-95-75-1242 *	12470	103.9:1	20E
CPTD5-95-75-1382 *	13800	115:1	20E
CPTD5-95-75-1442 *	14400	120:1	20E

STANDARD TYPICAL VOLTAGES - CONSULT FACTORY FOR SPECIALS

CONTROL POWER TRANSFORMER

Model CPTD5-95-125

APPLICATION:

To provide control power in medium voltage switchgear, self-cooled, for indoor use only

FREQUENCY:

50 Hz.

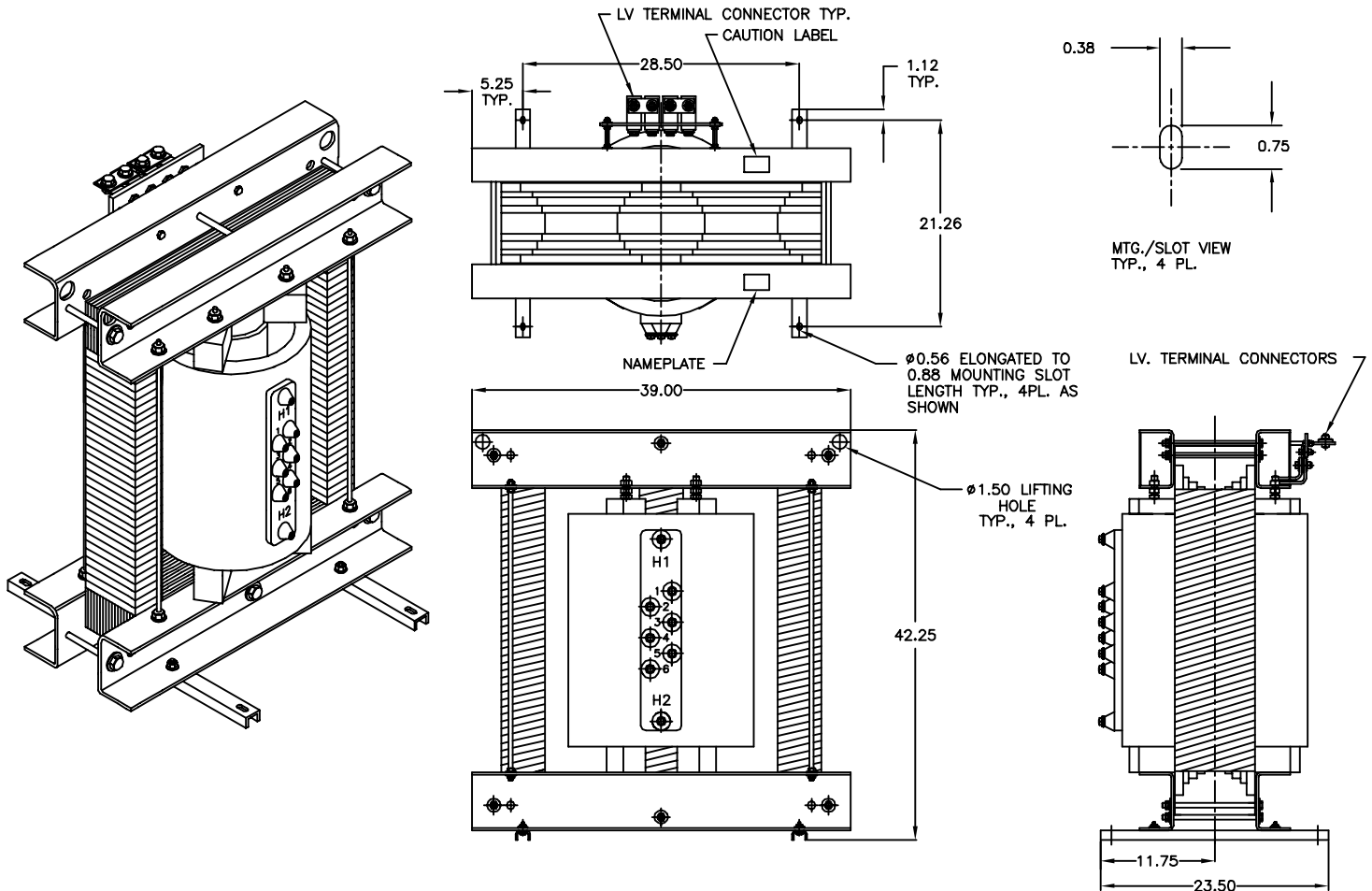
INSULATION LEVEL:

15 kV Class 95 kV B.I.L.
150°C.

THERMAL RATING:

125 kVA at 30°C ambient.
107 kVA at 55°C ambient.
80°C rise.

- Partial discharge free at rated voltage in accordance with Canadian standard C9.
- H.V. Terminals are 3/8-16 UNC 2B brass insert.
- L.V. Terminals are 0.25 thk. x 1.50 wide CU pads with a 0.56 dia. mounting hole.
- Windings are encapsulated in epoxy resin. Mounting base is steel. Assembly is varnish treated.
- (4) Mounting slots are 0.56 x 0.88, Typ.
- Low voltage 120/240.
- For indoor use.
- Approximate weight: 2250 lbs., 1020 kg.



PRIMARY VOLTS	CONNECT
107.5%	1 - 2
100%	2 - 3
92.5%	3 - 4

1 ±7-1/2% PRIMARY TAPS
SUFFIX "A"

PRIMARY VOLTS	CONNECT
105%	1 - 2
102.5%	2 - 3
100%	3 - 4
97.5%	4 - 5
92.5%	5 - 6

2 ±2-1/2% PRIMARY TAPS
SUFFIX "B"

CONTROL POWER TRANSFORMER

Model 3CPT3-60-15
Model 3CPT5-95-15

APPLICATION:

To provide control power in medium voltage switchgear, self-cooled, for indoor use only.

FREQUENCY:

60 Hz.

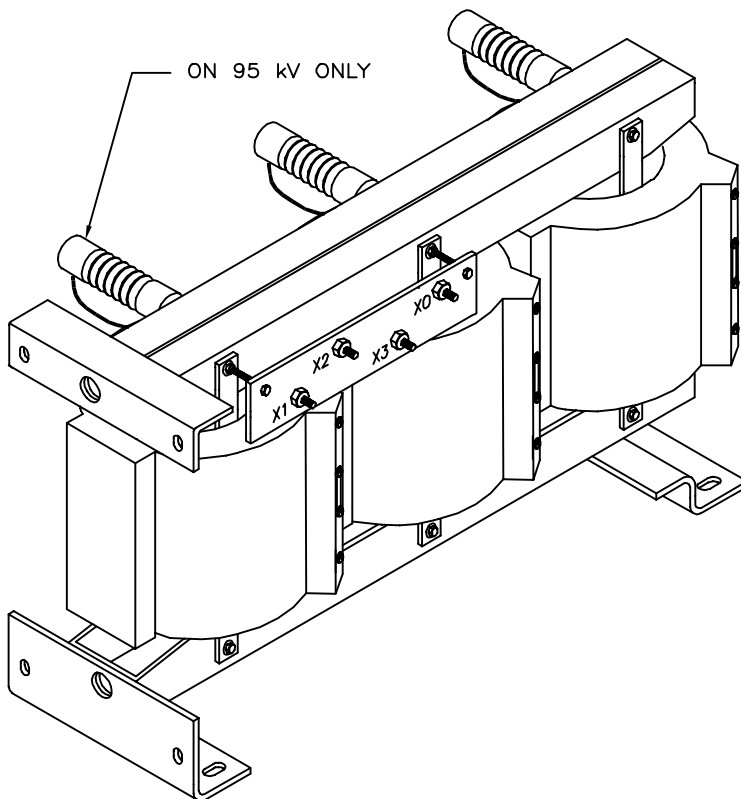
INSULATION LEVEL:

3CPT3: 5 kV,
60 kV BIL full wave. 130°C
3CPT5: 15 kV,
95 kV BIL full wave. 130°C

THERMAL RATING:

15 kVA at 30°C ambient.
13 kVA at 55°C ambient.
80°C rise.

- Primary terminals are copper compression type lugs.
- Secondary terminals are brass studs 1/2-13 with one flatwasher, starwasher and two regular nuts.
- The high voltage coils are vacuum encapsulated in epoxy resin. Complete unit is varnish dipped.
- Supplied with taps on primary side:
Cat. suffix A -(1) ± 7-1/2% taps or
Cat. suffix B -(2) ± 2-1/2% taps.
- Secondary typically 120/240 V operation.
- Available as unfused only.
- Vertical or horizontal mounting.
- Mounting base and frame is 7 ga. (0.188" thk) steel, with (8) 0.56 X 0.875 slots.
- For indoor use.
- Approximate weight 650 lbs.



PRIMARY VOLTS	CONNECT
107.5%	1 - 2
100%	2 - 3
92.5%	3 - 4

1 ± 7-1/2% PRIMARY TAPS - SUFFIX "A"

PRIMARY VOLTS	CONNECT
105%	1 - 2
102.5%	2 - 3
100%	3 - 4
97.5%	4 - 5
92.5%	5 - 6

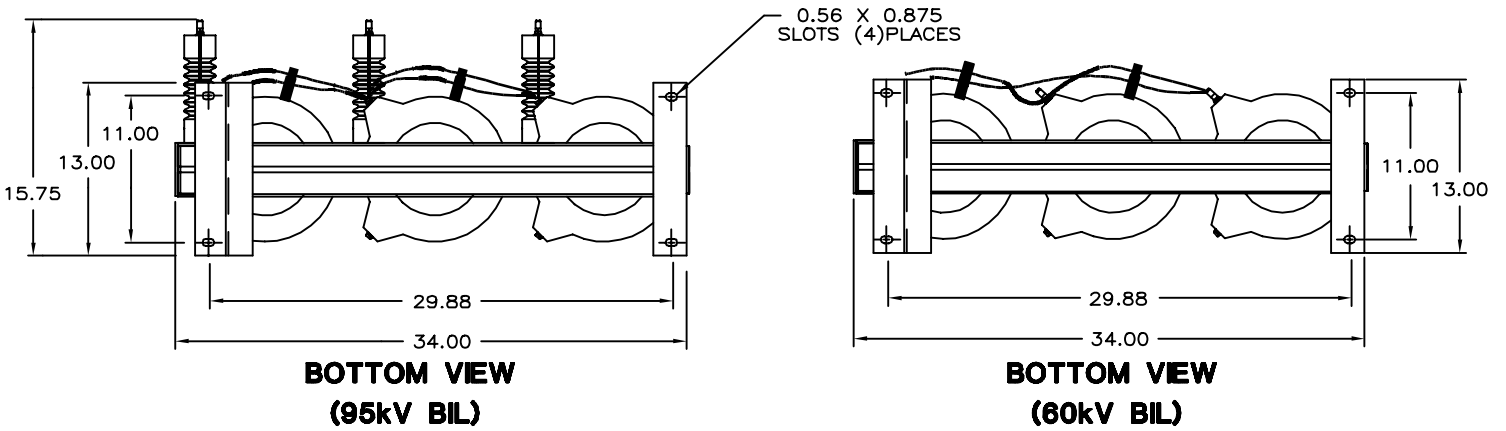
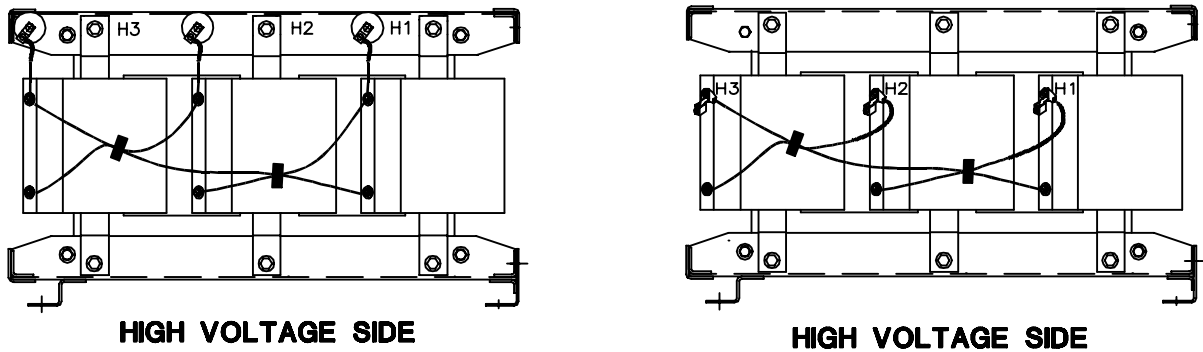
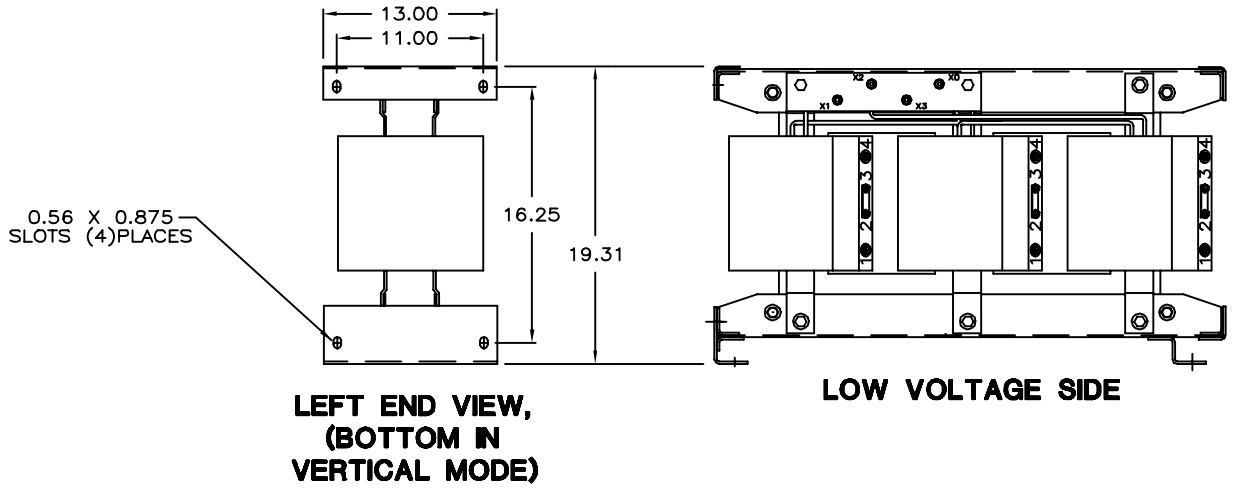
2 ± 2-1/2% PRIMARY TAPS - SUFFIX "B"

CATALOG NO.	PRIMARY VOLTAGE	SECONDARY VOLTAGE	*FUSE RATING
3CPT3-60-15-242	2400	208Y/120	10E
3CPT3-60-15-4161	4160	208Y/120	7E
3CPT3-60-15-482	4800	208Y/120	5E
3CPT5-95-15-722	7200	208Y/120	5E
3CPT5-95-15-842	8400	208Y/120	5E
3CPT5-95-15-123	12000	208Y/120	3E
3CPT5-95-15-1242	12470	208Y/120	3E
3CPT5-95-15-1322	13200	208Y/120	3E
3CPT5-95-15-1382	13800	208Y/120	3E

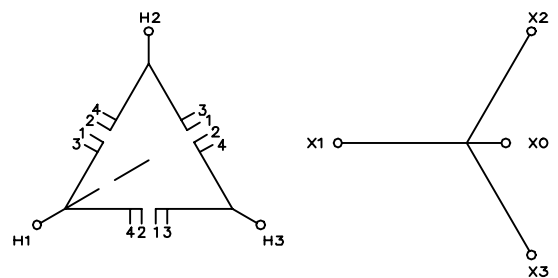
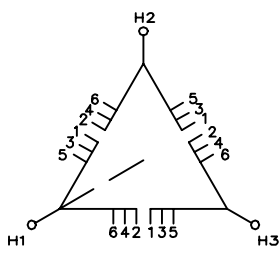
*Note all fuse ratings are based upon NEC transformer overcurrent protection recommendations. Specific applications may require other ratings.

Model 3CPT3-60-15

Model 3CPT5-95-15



FOR HORIZONTAL OR VERTICAL MOUNTING



CONTROL POWER TRANSFORMER

Model 3CPT3-60-30

Model 3CPT5-95-30

Model 3CPT3-60-45

Model 3CPT5-95-45

APPLICATION:

To provide control power in medium voltage switchgear, self-cooled, for indoor use only.

FREQUENCY:

60 Hz.

INSULATION LEVEL:

3CPT3: 5 kV, 60 kV BIL full wave. 130°C

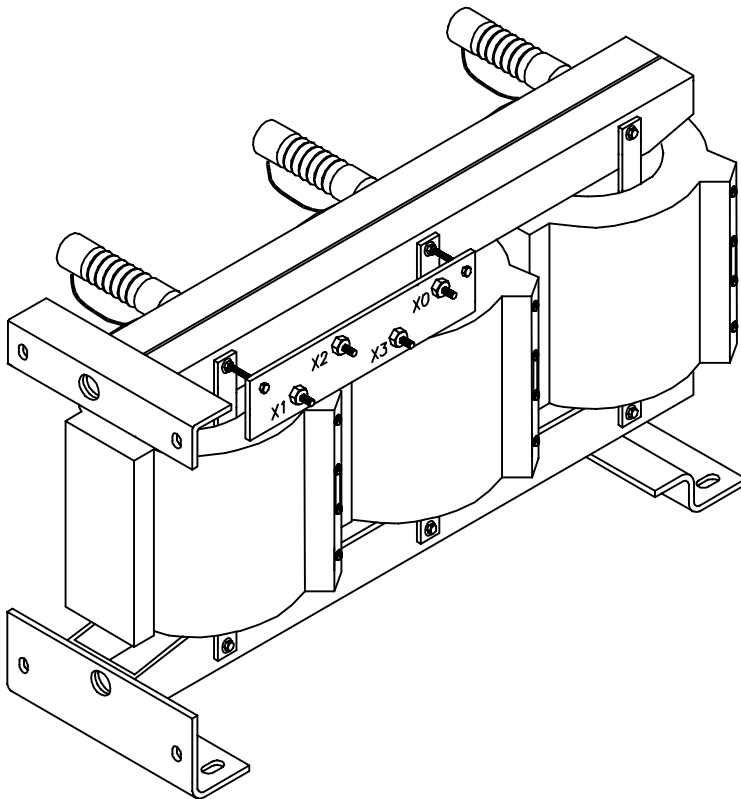
3CPT5: 15 kV, 95 kV BIL full wave. 130°C

THERMAL RATING:

30 kVA at 30°C ambient.
25.7 kVA at 55°C ambient.
80°C rise.

45 kVA at 30°C ambient.
38.6 kVA at 55°C ambient.
80°C rise.

- Primary terminals are copper compression type lugs.
- Secondary terminals are brass studs 1/2-13 with one flatwasher, starwasher and two regular nuts.
- The high voltage coils are vacuum encapsulated in epoxy resin. Complete unit is varnish dipped.
- Supplied with taps on primary side:
Cat. suffix A -(1) ± 7-1/2% taps or
Cat. suffix B -(2) ± 2-1/2% taps.
- Secondary typically 120/240 V operation.
- Available as unfused only.
- Vertical or horizontal mounting.
- Mounting base and frame is 7 ga. (0.188" thk) steel, with (8) 0.56 X 0.875 slots.
- For indoor use.
- Approximate weight 730 lbs.



PRIMARY VOLTS	CONNECT
107.5%	1 - 2
100%	2 - 3
92.5%	3 - 4

1 ± 7-1/2% PRIMARY TAPS - SUFFIX "A"

PRIMARY VOLTS	CONNECT
105%	1 - 2
102.5%	2 - 3
100%	3 - 4
97.5%	4 - 5
92.5%	5 - 6

2 ± 2-1/2% PRIMARY TAPS - SUFFIX "B"

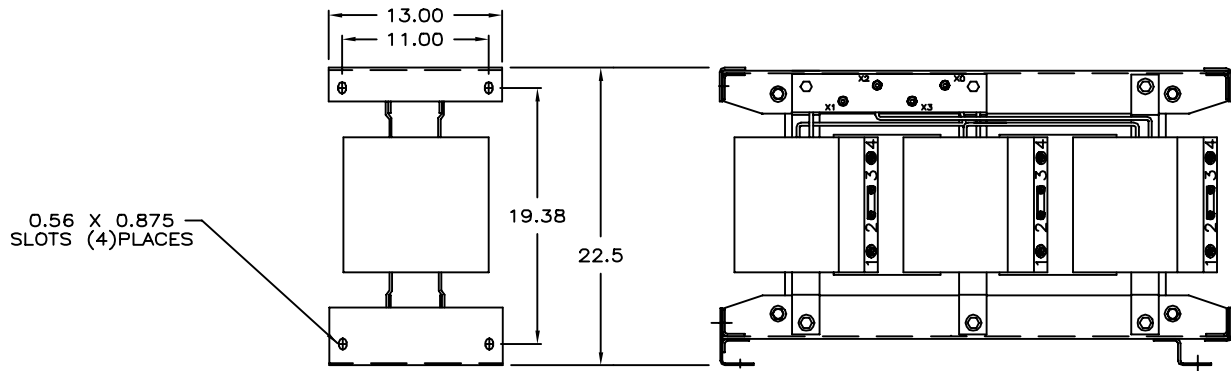
CATALOG NO.	PRIMARY VOLTAGE	SECONDARY VOLTAGE	*FUSE RATING
3CPT3-60-30-242	2400	208Y/120	20E
3CPT3-60-30-4161	4160	208Y/120	15E
3CPT3-60-30-482	4800	208Y/120	10E
3CPT5-95-30-722	7200	208Y/120	10E
3CPT5-95-30-842	8400	208Y/120	10E
3CPT5-95-30-123	12000	208Y/120	5E
3CPT5-95-30-1242	12470	208Y/120	5E
3CPT5-95-30-1322	13200	208Y/120	5E
3CPT5-95-30-1382	13800	208Y/120	5E

CATALOG NO.	PRIMARY VOLTAGE	SECONDARY VOLTAGE	*FUSE RATING
3CPT3-60-45-242	2400	208Y/120	25E
3CPT3-60-45-4161	4160	208Y/120	15E
3CPT3-60-45-482	4800	208Y/120	15E
3CPT5-95-45-722	7200	208Y/120	15E
3CPT5-95-45-842	8400	208Y/120	15E
3CPT5-95-45-123	12000	208Y/120	7E
3CPT5-95-45-1242	12470	208Y/120	7E
3CPT5-95-45-1322	13200	208Y/120	7E
3CPT5-95-45-1382	13800	208Y/120	7E

*Note all fuse ratings are based upon NEC transformer overcurrent protection recommendations. Specific applications may require other ratings.

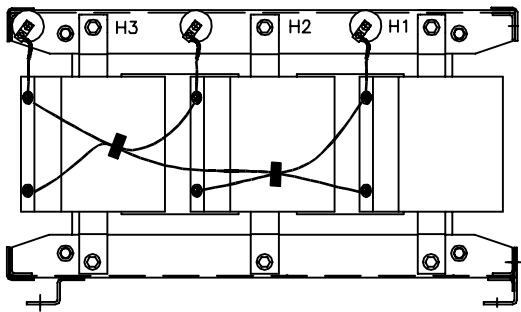
Model 3CPT3-60-30
Model 3CPT5-95-30

Model 3CPT3-60-45
Model 3CPT5-95-45

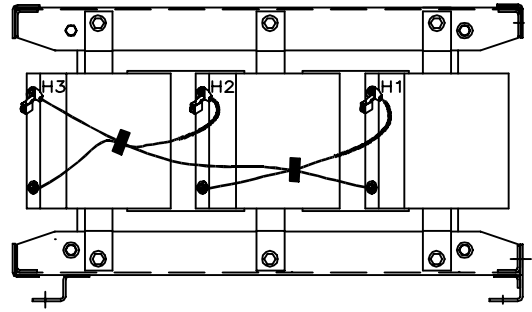


**LEFT END VIEW,
 (BOTTOM IN
 VERTICAL MODE)**

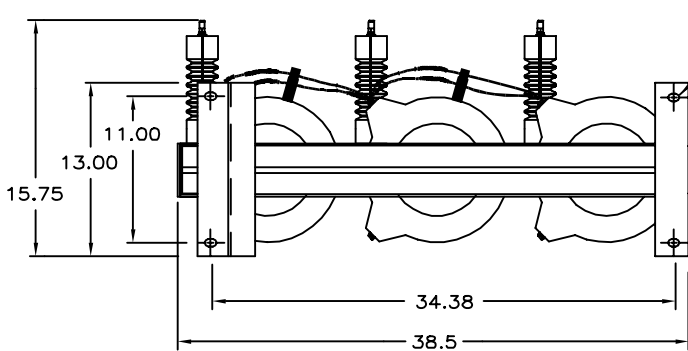
LOW VOLTAGE SIDE



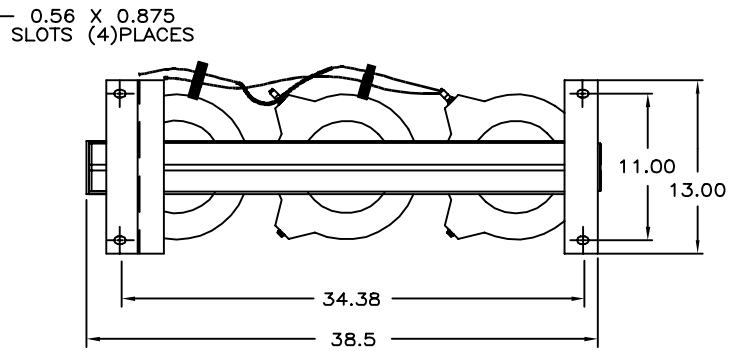
HIGH VOLTAGE SIDE



HIGH VOLTAGE SIDE

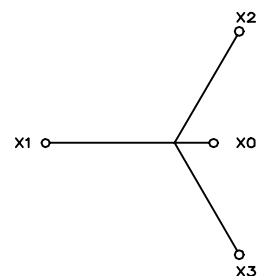
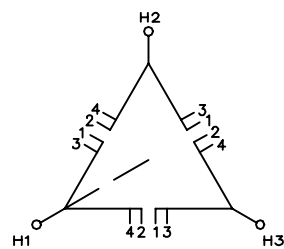
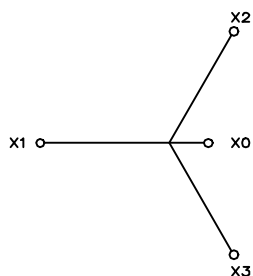
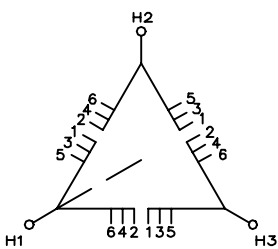


**BOTTOM VIEW
 (95kV BIL)**



**BOTTOM VIEW
 (60kV BIL)**

FOR HORIZONTAL OR VERTICAL MOUNTING



CONTROL POWER TRANSFORMER

Model 3CPTD3-60-30
Model 3CPTD5-95-30
Model 3CPTD3-60-45
Model 3CPTD5-95-45

APPLICATION:

To provide control power in medium voltage switchgear, self-cooled, for indoor use only.

FREQUENCY:

60 Hz.

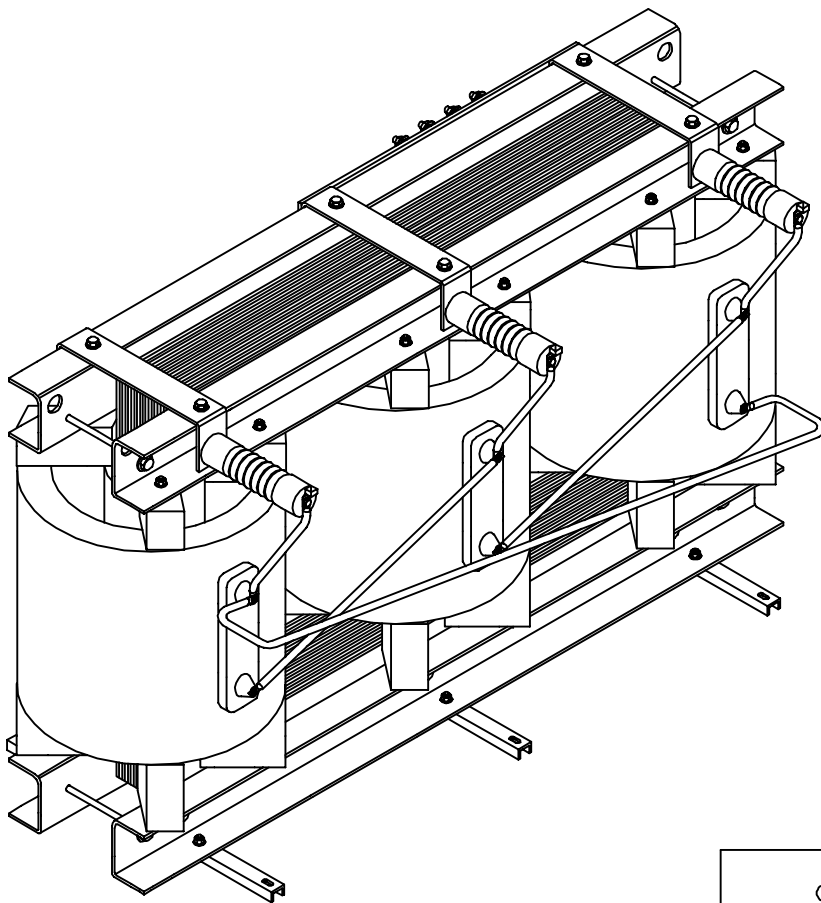
INSULATION LEVEL:

5 kV & 15 kV Class,
 60 kV & 95 kV B.I.L.,
 150°C.

THERMAL RATING:

30 kVA at 30°C ambient.
 25.7 kVA at 55°C ambient.
 80°C rise.
 45 kVA at 30°C ambient.
 38.6 kVA at 55°C ambient.
 80°C rise.

- Partial discharge free at rated voltage in accordance with Canadian standard C9.
- H.V. terminals are copper compression type lugs.
- L.V. terminals are 1/2-13 UNC 2A brass studs.
- Windings are encapsulated in epoxy resin. Mounting base is steel. Assembly is varnish treated.
- (6) Mounting slots are 0.37 x 0.75, Typ.
- Low voltage available, 208 Y/120
 480 Y/277
 600 Y/346
 240 Δ
 480 Δ
 600 Δ
- For indoor use.
- Approximate weight 800 lbs.



PRIMARY VOLTS	CONNECT
107.5%	1 - 2
100%	2 - 3
92.5%	3 - 4

1 ±7-1/2% PRIMARY TAPS - SUFFIX "A"

PRIMARY VOLTS	CONNECT
105%	1 - 2
102.5%	2 - 3
100%	3 - 4
97.5%	4 - 5
92.5%	5 - 6

2 ±2-1/2% PRIMARY TAPS - SUFFIX "B"

* Tap suffix "A" or "B"

* Note all fuse ratings are based upon NEC transformer overcurrent protection recommendations. Specific applications may require other ratings.

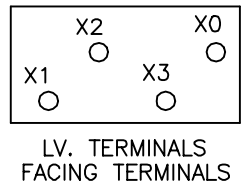
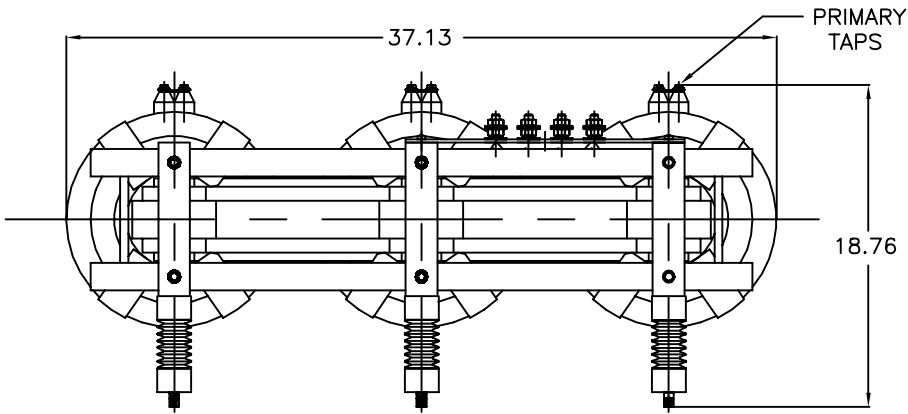
CATALOG NO.	PRIMARY VOLTAGE	**FUSE RATING
3CPTD3-60-30-242*	2400	20E
3CPTD3-60-30-4161*	4160	15E
3CPTD3-60-30-482*	4800	10E
3CPTD3-60-45-242*	2400	25E
3CPTD3-60-45-4161*	4160	15E
3CPTD3-60-45-482*	4800	15E

CATALOG NO.	PRIMARY VOLTAGE	**FUSE RATING
3CPTD5-95-30-722*	7200	10E
3CPTD5-95-30-842*	8400	10E
3CPTD5-95-30-123*	12000	5E
3CPTD5-95-30-1242*	12470	5E
3CPTD5-95-30-1322*	13200	5E
3CPTD5-95-30-1382*	13800	5E
3CPTD5-95-45-722*	7200	15E
3CPTD5-95-45-842*	8400	15E
3CPTD5-95-45-123*	12000	7E
3CPTD5-95-45-1242*	12470	7E
3CPTD5-95-45-1322*	13200	7E
3CPTD5-95-45-1382*	13800	7E

STANDARD TYPICAL VOLTAGES - CONSULT FACTORY FOR SPECIALS

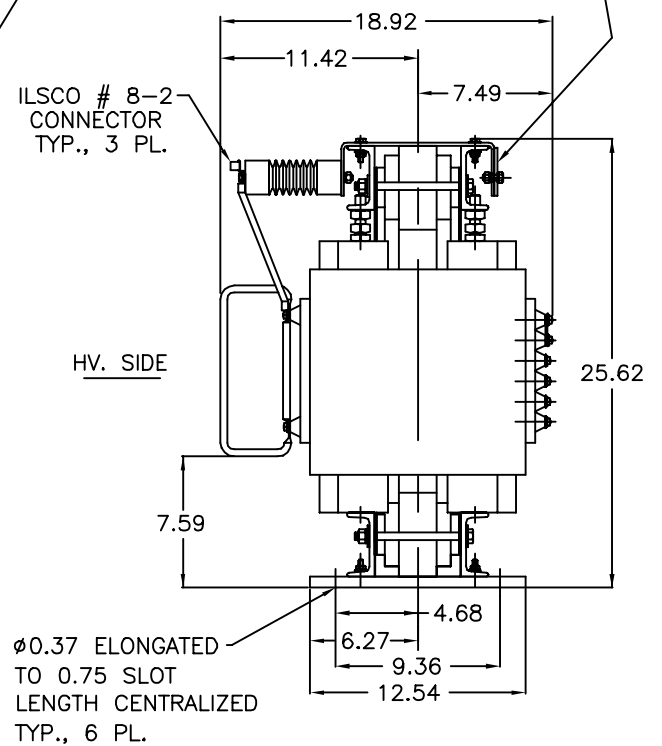
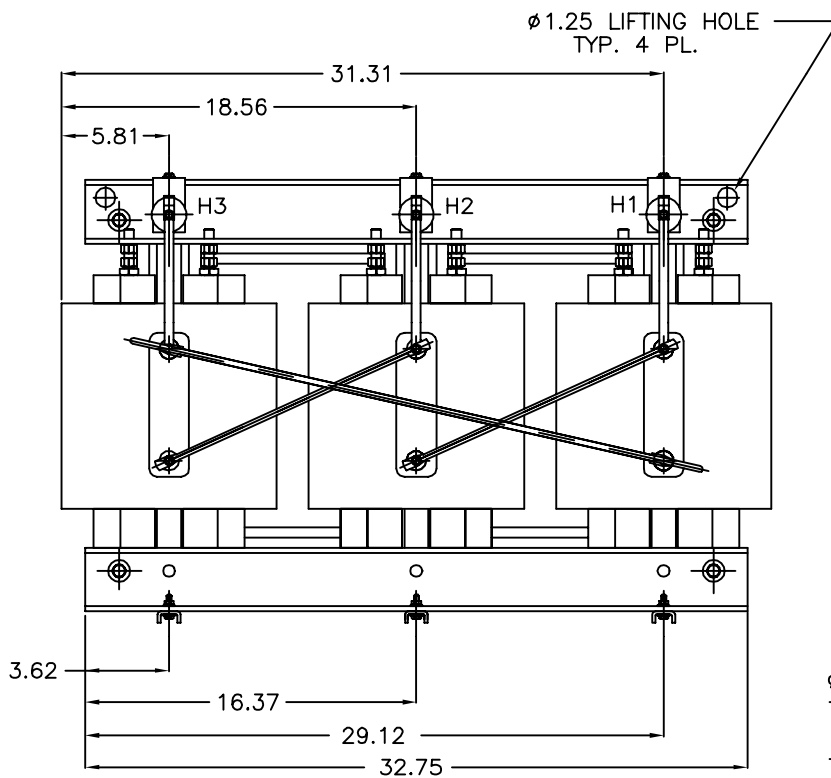
Model 3CPTD3-60-30
Model 3CPTD5-95-30

Model 3CPTD3-60-45
Model 3CPTD5-95-45

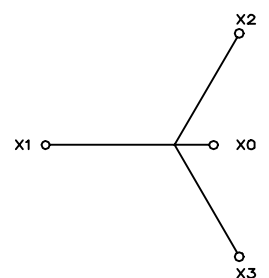
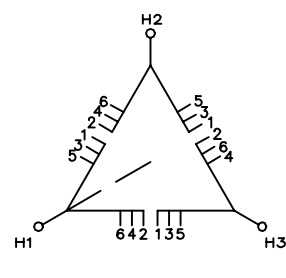
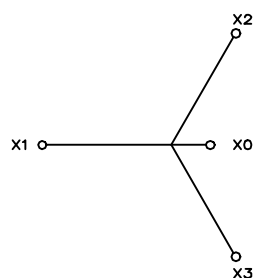
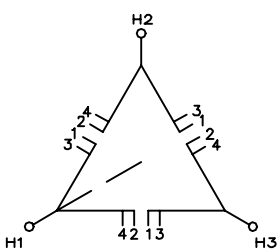


NOTE: HIGH VOLTAGE WIRE CONNECTION NOT SHOWN IN THIS VIEW.

NOTE: LV TERMINAL CONNECTOR NOT SHOWN IN THIS VIEW



FOR HORIZONTAL MOUNTING



CONTROL POWER TRANSFORMER

Model 3CPTDH3-60-75

Model 3CPTDH5-95-75

(FOR HORIZONTAL MOUNTING)

APPLICATION:

To provide control power in medium voltage switchgear, self-cooled, for indoor use only.

FREQUENCY:

60 Hz.

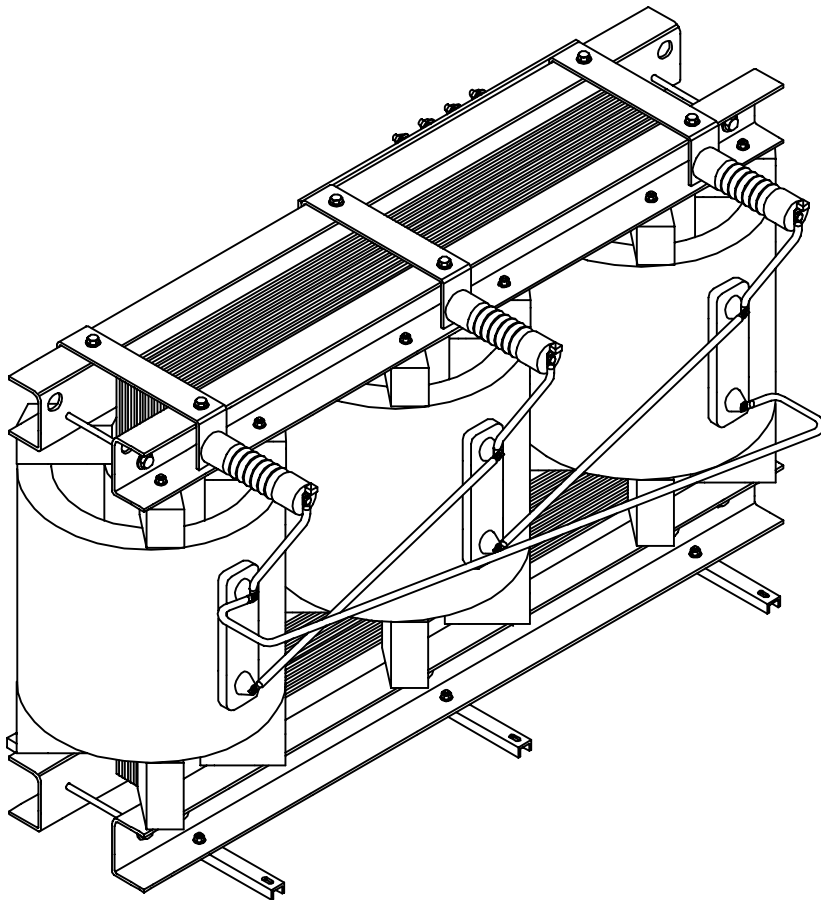
INSULATION LEVEL:

5 kV & 15 kV Class,
60 kV & 95 kV B.I.L.,
150°C.

THERMAL RATING:

75 kVA at 30°C ambient.
64.3 kVA at 55°C ambient.
80°C rise.

- Partial discharge free at rated voltage in accordance with Canadian standard C9.
- H.V. terminals are ILSCO #8-2 connector.
- L.V. terminals are 1/2-13 UNC 2A brass studs.
- Windings are encapsulated in epoxy resin. Mounting base is steel. Assembly is varnish treated.
- (6) Mounting slots are 0.37 x 0.75, Typ.
- Low voltage available, 208 Y/120
480 Y/277
600 Y/346
240 Δ
480 Δ
600 Δ
- For indoor use.
- Approximate weight 1500 lbs.



PRIMARY VOLTS	CONNECT
107.5%	1 - 2
100%	2 - 3
92.5%	3 - 4

1 ± 7-1/2% PRIMARY TAPS - SUFFIX "A"

PRIMARY VOLTS	CONNECT
105%	1 - 2
102.5%	2 - 3
100%	3 - 4
97.5%	4 - 5
92.5%	5 - 6

2 ± 2-1/2% PRIMARY TAPS - SUFFIX "B"

* Tap suffix "A" or "B"

* Note all fuse ratings are based upon NEC transformers overcurrent protection recommendations. Specific applications may require other ratings.

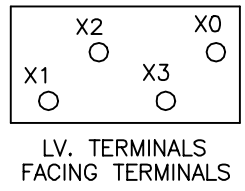
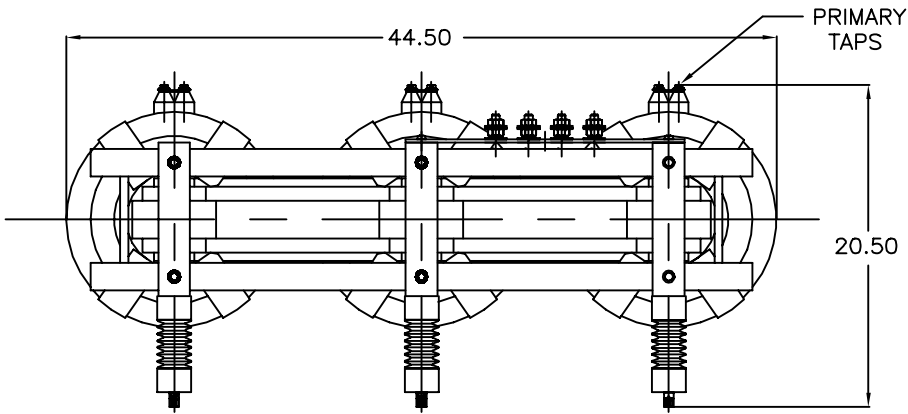
CATALOG NO.	PRIMARY VOLTAGE	**FUSE RATING
3CPTDH3-60-75-4161*	4160	25E
3CPTDH3-60-75-482*	4800	20E

CATALOG NO.	PRIMARY VOLTAGE	**FUSE RATING
3CPTDH5-95-75-722*	7200	20E
3CPTDH5-95-75-842*	8400	20E
3CPTDH5-95-75-123*	12000	10E
3CPTDH5-95-75-1242*	12470	10E
3CPTDH5-95-75-1322*	13200	10E
3CPTDH5-95-75-1382*	13800	10E

STANDARD TYPICAL VOLTAGES - CONSULT FACTORY FOR SPECIALS

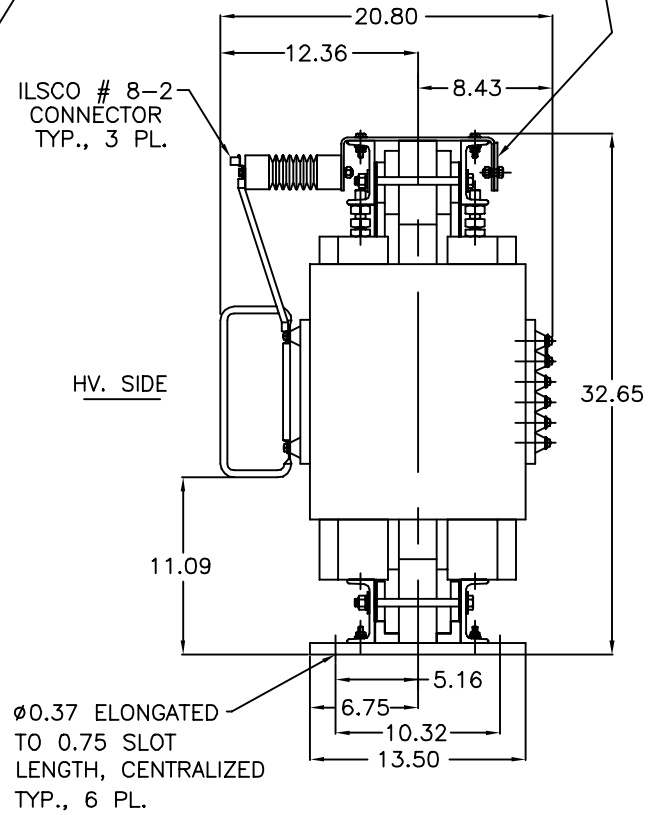
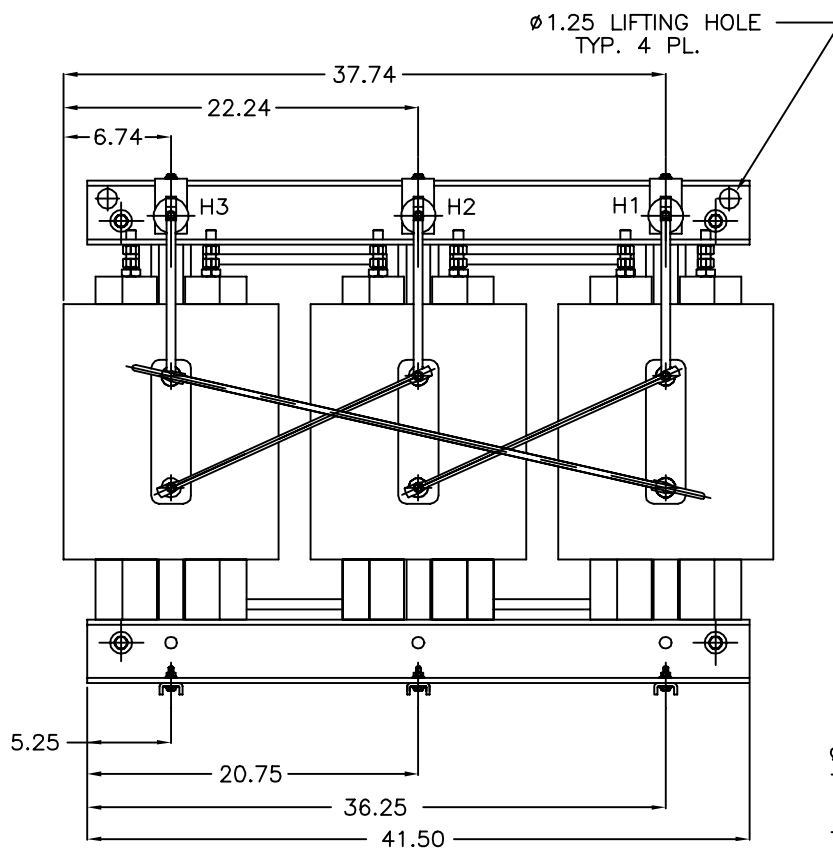
Model 3CPTDH3-60-75

Model 3CPTDH5-95-75

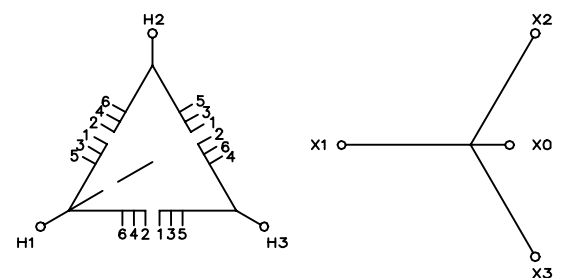
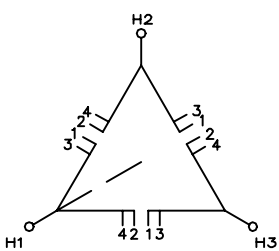


NOTE: HIGH VOLTAGE WIRE CONNECTION NOT SHOWN IN THIS VIEW.

NOTE: LV TERMINAL CONNECTOR NOT SHOWN IN THIS VIEW



FOR HORIZONTAL MOUNTING



CONTROL POWER TRANSFORMER

Model 3CPTDV3-60-75

Model 3CPTDV5-95-75

(FOR VERTICAL MOUNTING)

APPLICATION:

To provide control power in medium voltage switchgear, self-cooled, for indoor use only.

FREQUENCY:

60 Hz.

INSULATION LEVEL:

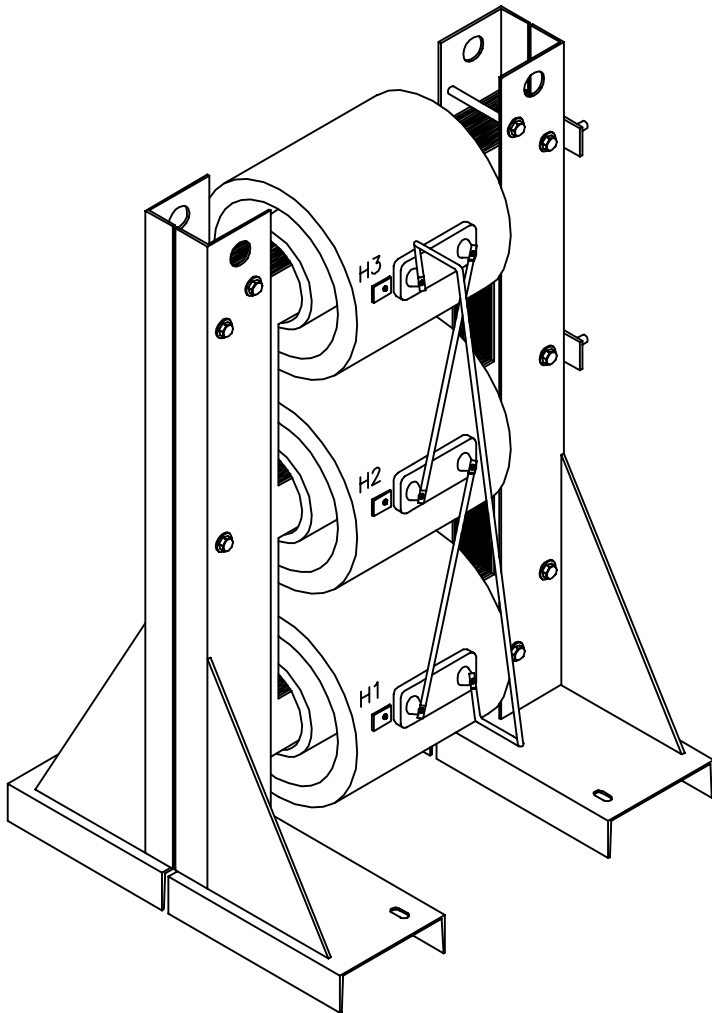
5 kV & 15 kV Class,
60 kV & 95 kV B.I.L.,
150°C.

THERMAL RATING:

75 kVA at 30°C ambient.
64.3 kVA at 55°C ambient.
80°C rise.

- Partial discharge free at rated voltage in accordance with Canadian standard C9.
- H.V. terminals are ILSCO #8-2 connector.
- L.V. terminals are 1/2-13 UNC 2A brass studs.
- Windings are encapsulated in epoxy resin. Mounting base is steel. Assembly is varnish treated.
- (6) Mounting slots are 0.37 x 0.75, Typ.
- Low voltage available, 208 Y/120
480 Y/277
600 Y/346
240 Δ
480 Δ
600 Δ

- For indoor use.
- Approximate weight 2000 lbs.



PRIMARY VOLTS	CONNECT
107.5%	1 - 2
100%	2 - 3
92.5%	3 - 4

1 ± 7-1/2% PRIMARY TAPS - SUFFIX "A"

PRIMARY VOLTS	CONNECT
105%	1 - 2
102.5%	2 - 3
100%	3 - 4
97.5%	4 - 5
92.5%	5 - 6

2 ± 2-1/2% PRIMARY TAPS - SUFFIX "B"

* Tap suffix "A" or "B"

** Note all fuse ratings are based upon NEC transformer overcurrent protection recommendations. Specific applications may require other ratings.

CATALOG NO.	PRIMARY VOLTAGE	** FUSE RATING
3CPTDV3-60-75-4161*	4160	25E
3CPTDV3-60-75-482*	4800	20E

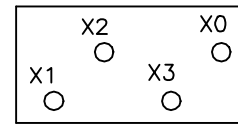
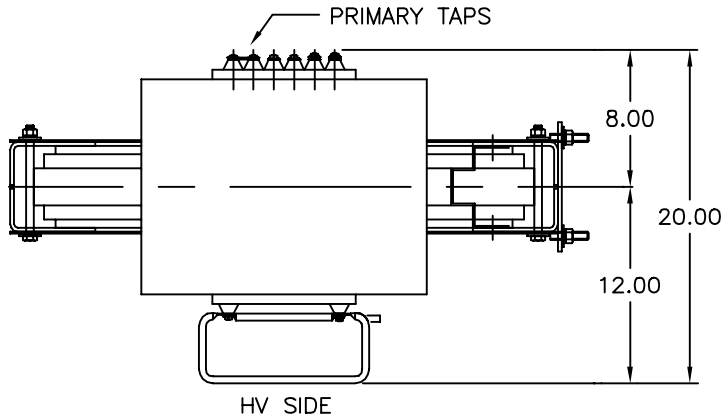
CATALOG NO.	PRIMARY VOLTAGE	** FUSE RATING
3CPTDV5-95-75-722*	7200	20E
3CPTDV5-95-75-842*	8400	20E
3CPTDV5-95-75-123*	12000	10E
3CPTDV5-95-75-1242*	12470	10E
3CPTDV5-95-75-1322*	13200	10E
3CPTDV5-95-75-1382*	13800	10E

STANDARD TYPICAL VOLTAGES - CONSULT FACTORY FOR SPECIALS

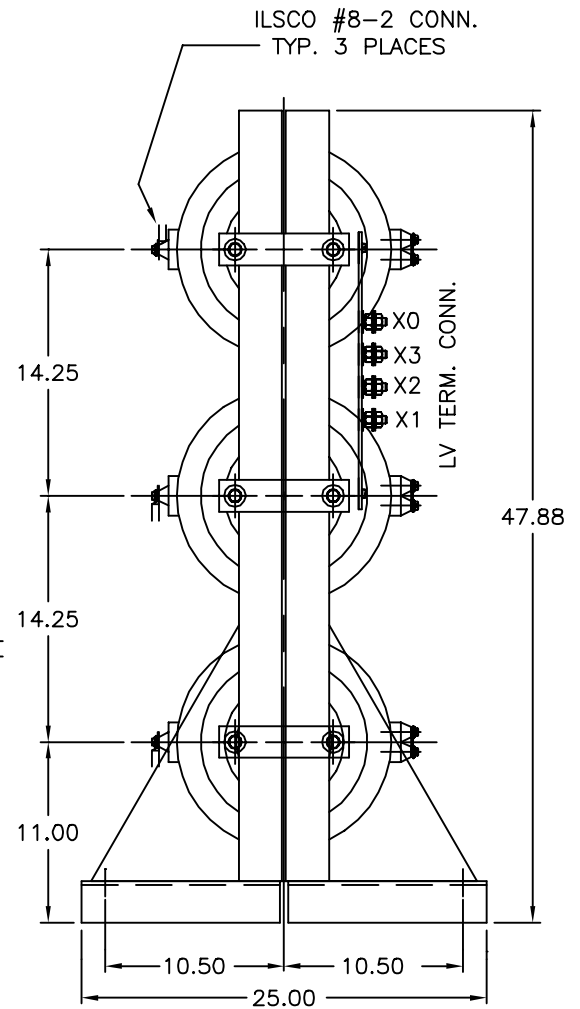
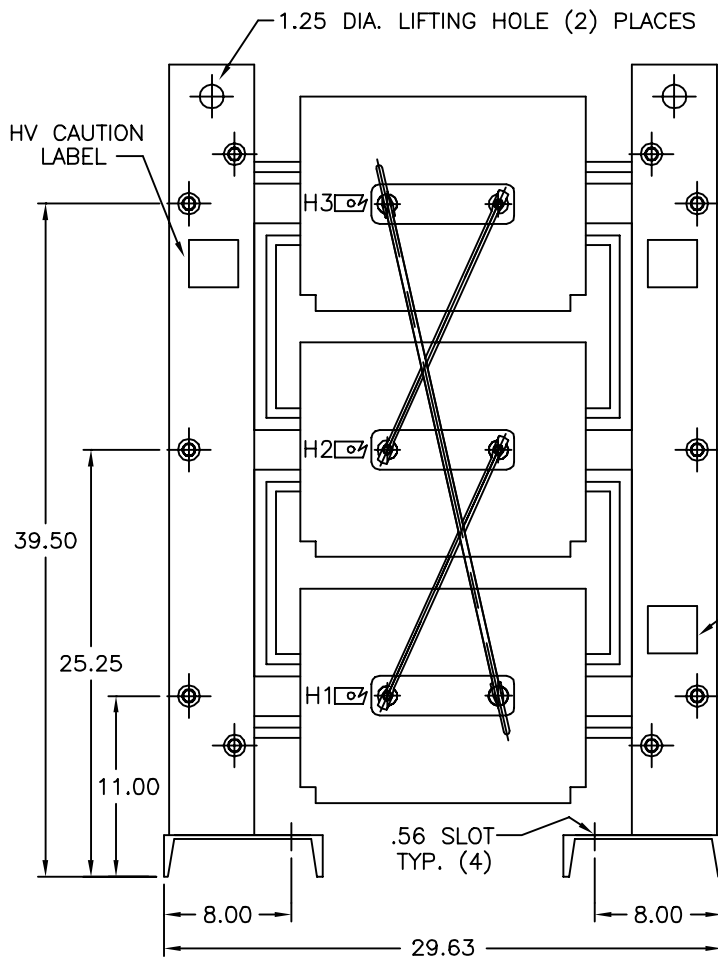
Model 3CPTDV3-60-75

Model 3CPTDV5-95-75

NOTE: LV TERM. CONN. NOT SHOWN THIS VIEW



LV. TERMINALS
FACING TERMINALS



FOR VERTICAL MOUNTING

