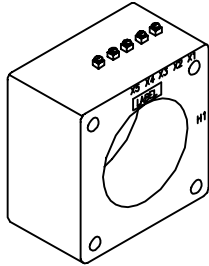
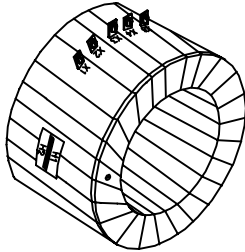
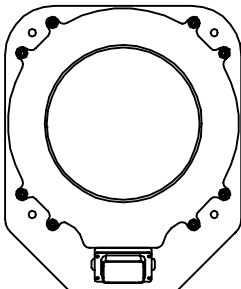


BUSHING

CURRENT TRANSFORMERS

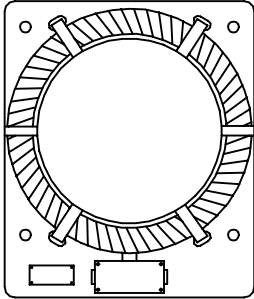
600 VOLT CLASS

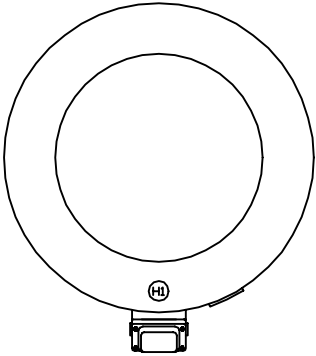
MODEL NUMBER	WINDOW SIZE	OVERALL SIZE			PAGE	
<p>CAST RESIN CONSTRUCTION</p>		I D	Width	Height	Depth	<p>3</p>
		6.00 DIA.	10.50 x 11.00 x 6.00			
		7.88 DIA.	12.50 x 13.00 x 7.00			
		9.00 DIA.	14.00 x 14.75 x 8.00			
		11.75 DIA.	15.63 x 15.63 x 6.75			
<p>TAPE AND VARNISH CONSTRUCTION</p>		8.30 DIA.	15.80 O.D.			<p>4</p>
		10.20 DIA.	18.10 O.D.			
		11.40 DIA.	20.50 O.D.			
		11.80 DIA.	17.80 O.D.			
		12.00 DIA.	17.60 O.D.			
		14.60 DIA.	22.80 O.D.			
		16.00 DIA.	24.00 O.D.			
		18.00 DIA.	26.00 O.D.			
		22.20 DIA.	28.70 O.D.			
<p>GCT-C</p>		15.50 DIA.	Width	Height	Depth	<p>5</p>
24.00 x 29.00 x 4.00						

BUSHING

CURRENT TRANSFORMERS

**600 VOLT
CLASS**

MODEL NUMBER	WINDOW SIZE	OVERALL SIZE	PAGE	
GCT-T		16.125 DIA.	Width Height Depth 24.00 x 28.50 x 3.25	6

OUTDOOR TYPE B07	Ratio	LD.	O.D.	Depth	7
	600:5	12.00 DIA.	24.75 DIA.	4.50	
	600:5	18.00 DIA.	30.75 DIA.	4.75	
	600:5	20.00 DIA.	32.75 DIA.	4.75	
	600:5	22.00 DIA.	34.75 DIA.	4.75	
	600:5	26.00 DIA.	38.75 DIA.	4.75	
	600:5	28.00 DIA.	40.75 DIA.	4.75	
	600:5	32.00 DIA.	43.50 DIA.	5.00	
	1200:5	12.00 DIA.	24.75 DIA.	4.50	
	1200:5	18.00 DIA.	30.75 DIA.	4.50	
	1200:5	20.00 DIA.	32.75 DIA.	4.50	
	1200:5	22.00 DIA.	34.75 DIA.	4.50	
	1200:5	26.00 DIA.	38.75 DIA.	4.50	
	1200:5	28.00 DIA.	40.75 DIA.	4.50	
	1200:5	32.00 DIA.	43.50 DIA.	4.75	
	2000:5	12.00 DIA.	24.75 DIA.	3.75	
	2000:5	18.00 DIA.	30.75 DIA.	3.75	
	2000:5	20.00 DIA.	32.75 DIA.	3.75	
	2000:5	22.00 DIA.	34.75 DIA.	3.75	
	2000:5	26.00 DIA.	38.75 DIA.	3.75	
	2000:5	28.00 DIA.	40.75 DIA.	3.75	
2000:5	32.00 DIA.	43.50 DIA.	3.75		
3000:5	12.00 DIA.	24.75 DIA.	3.75		
3000:5	18.00 DIA.	30.75 DIA.	3.75		
3000:5	20.00 DIA.	32.75 DIA.	3.75		
3000:5	22.00 DIA.	34.75 DIA.	3.75		
3000:5	26.00 DIA.	38.75 DIA.	3.75		
3000:5	28.00 DIA.	40.75 DIA.	3.75		
3000:5	32.00 DIA.	43.50 DIA.	3.75		

CURRENT TRANSFORMERS

Cast Resin Construction

TO MEET SPECIFIC APPLICATIONS

APPLICATION:

Special sizes to mount over bushings in circuit breakers or reclosers.

FREQUENCY:

50 – 400 Hz.

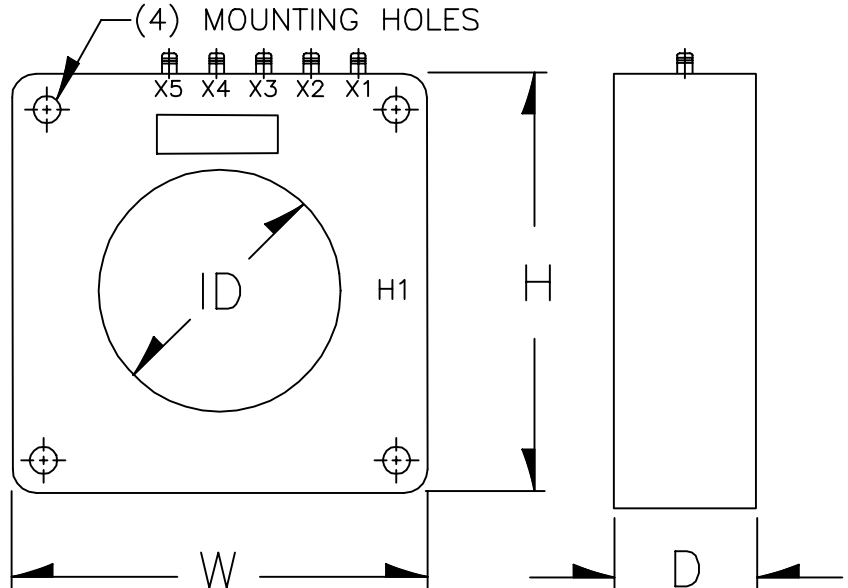
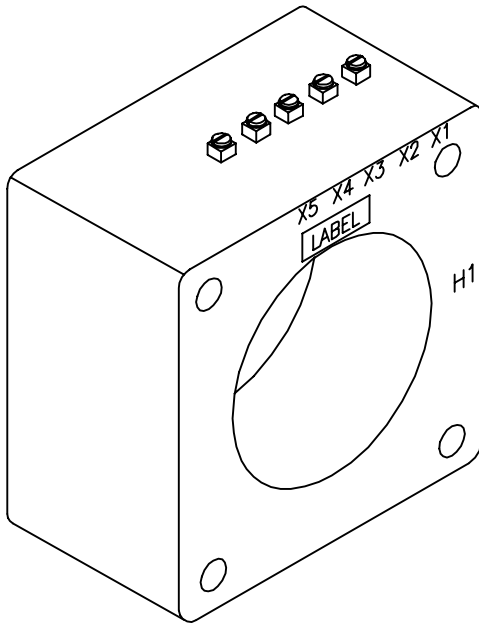
INSULATION LEVEL:

0.6kV, BIL 10 kV full wave.

CONTINUOUS THERMAL CURRENT RATING FACTOR:

Varies to suit the requirements.

- Secondary terminals are brass screws No. 10–32 with one flatwasher and lockwasher.
- Multi-ratio C.T.'s have the winding arranged so that the turns are fully distributed between all taps.



Listed below are presently available molded current transformer dimensions. Other dimensions are available on special order. Mounting holes are located to meet your design needs.

These transformers can be supplied as single, dual or multiple ratios. Where space is limited, two transformers can be cast in the same mold.

These transformers are cast in polyurethane for strength and durability.

Custom designed dimensions, relay class, thermal rating factor, ratios and frequency are available to meet your application needs.

C.T. DIMENSIONS				RATIO	MAX. RELAY CLASS	RATIO	MAX. RELAY CLASS
I.D.	W	H	MAX. D				
6.00	10.50	11.00	6.00	600:5	C400	1200:5	C800
				2000:5	C800	3000:5	C800
				4000:5	C800	5000:5	C800
7.88	12.50	13.00	7.00	600:5	C200	1200:5	C400
				2000:5	C800	3000:5	C800
				4000:5	C800	5000:5	C800
9.00	14.00	14.75	8.00	600:5	C400	1200:5	C800
				2000:5	C800	3000:5	C800
				4000:5	C800	5000:5	C800
11.75	15.63	15.63	6.75	50:5	C10	300:5	C100
				600:5	C200	1200:5	C400
				2000:5	C600	3000:5	C800
				4000:5	C800	6000:5	C800

CURRENT TRANSFORMER

Model 750

Tape and Varnish Construction

APPLICATION:

Special sizes to mount over bushings in circuit breakers, reclosers, or power transformers.

FREQUENCY:

50 - 400 Hz.

INSULATION LEVEL:

0.6kV, BIL 10 kV full wave.

CONTINUOUS THERMAL CURRENT RATING FACTOR:

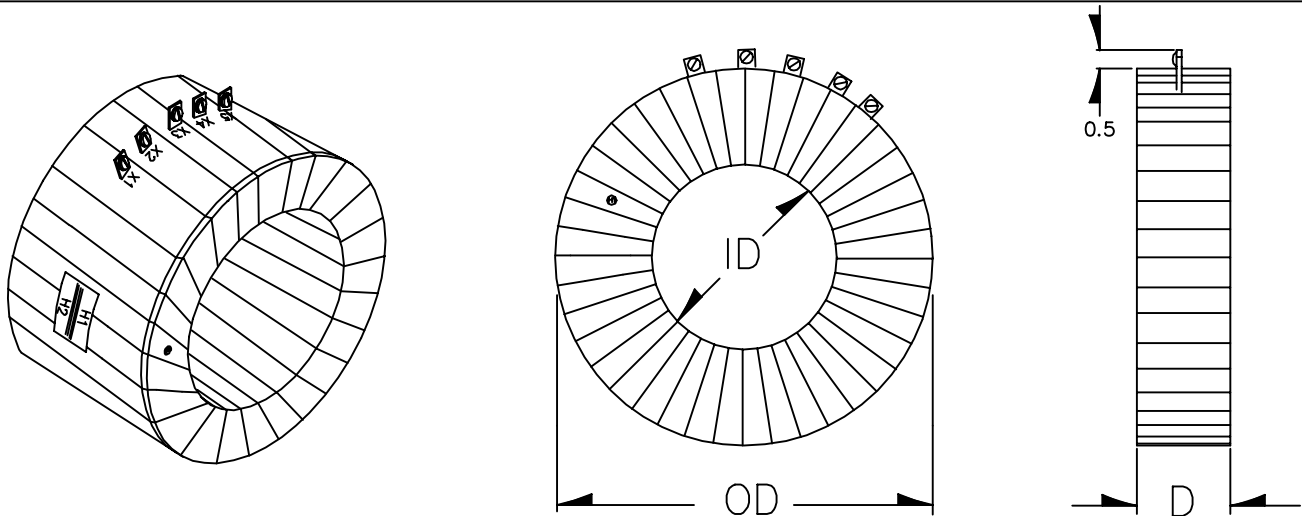
Varies to suit the requirements.

- Secondary terminals are brass screws No. 10-32 with one flatwasher and lockwasher. ⊕
- Multi-ratio C.T.'s have the winding arranged so that the turns are fully distributed between all taps.
- Also available with leads 10 AWG or 12 AWG, any length. Color coded for easy identification.

REGULATORY AGENCY APPROVALS



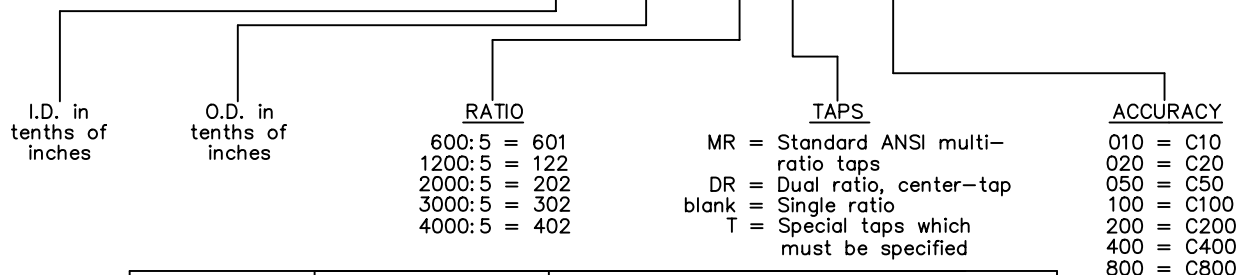
Manufactured to meet the requirements of ANSI/IEEE C57.13. Classified by U.L. in accordance with IEC 44-1



This tape and varnish insulation system is suitable for use in external bushing wells, hot transformer oil, or an SF6 environment. Standard sizes are fitted with a polyester jacket over the coil which prevents damage due to handling. This jacket also provides high dielectric strength for mounting to a metal plate or stacking CT's, eliminating the need for additional spacers or barriers. An optional non-hydroscopic barrier can be provided to prevent moisture penetration.

The transformer is available in single, dual, or multi-ratio. The table below lists the depth (D) for ANSI standard single or multi-ratios with C800 Accuracy, finished depths will be smaller for lower accuracy classes. Metering accuracy is also available. The sizes listed are standard for use on HV switchgear. Other sizes are available, up to 42 inch outside diameter and weights up to 800 lbs.

When ordering standard size models, specify: 750-XXX X XXX - XXX XX - YYY



MODEL	C.T. DIMENSIONS		MAXIMUM D FOR C800				
	I.D.	O.D.	600:5	1200:5	2000:5	3000:5	4000:5
750-083 X 158	8.3	15.8					
750-102 X 181	10.2	18.1					
750-114 X 205	11.4	20.5					
750-118 X 178	11.8	17.8					
750-120 X 176	12.0	17.6	11.0	6.0	4.5	4.0	4.0
750-146 X 228	14.6	22.8					
750-160 X 240	16.0	24.0					
750-180 X 260	18.0	26.0					
750-222 X 287	22.2	28.7					

CURRENT TRANSFORMER

Model GCT-C

Window Diameter 15.50"

APPLICATION:

For high current, high fault, generator applications.

FREQUENCY:

50-400 Hz.

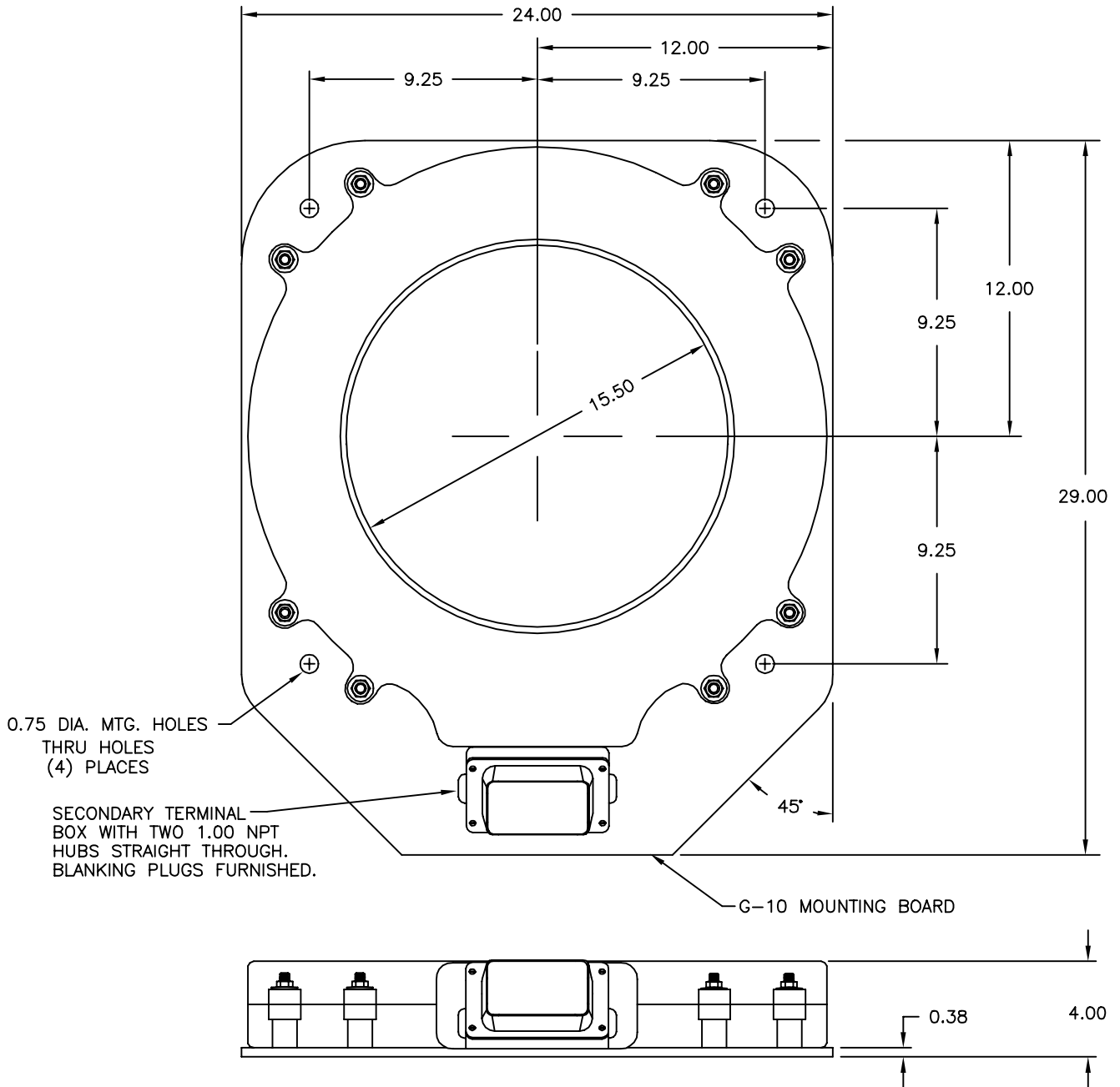
INSULATION LEVEL:

600 kV, 10 kV BIL full wave.

CONTINUOUS THERMAL CURRENT RATING FACTOR:

1.33 at 30°C. amb.

- Accuracy; metering – 0.3 B1.8, Relaying – C800
- Temperature Class: Class B – 130° C.
- Mechanical short time: Unlimited
- Shielded design for high stray flux environments.
- Secondary terminals are 1/4-20 brass studs with one flatwasher, lockwasher and nut.
- Approximate weight 80 lbs.



RATIOS AVAILABLE FROM 5000:5 TO 20,000:5 AMPS.

CURRENT TRANSFORMERS

Model GCT-T

Windings *to meet SPECIFIC APPLICATIONS*

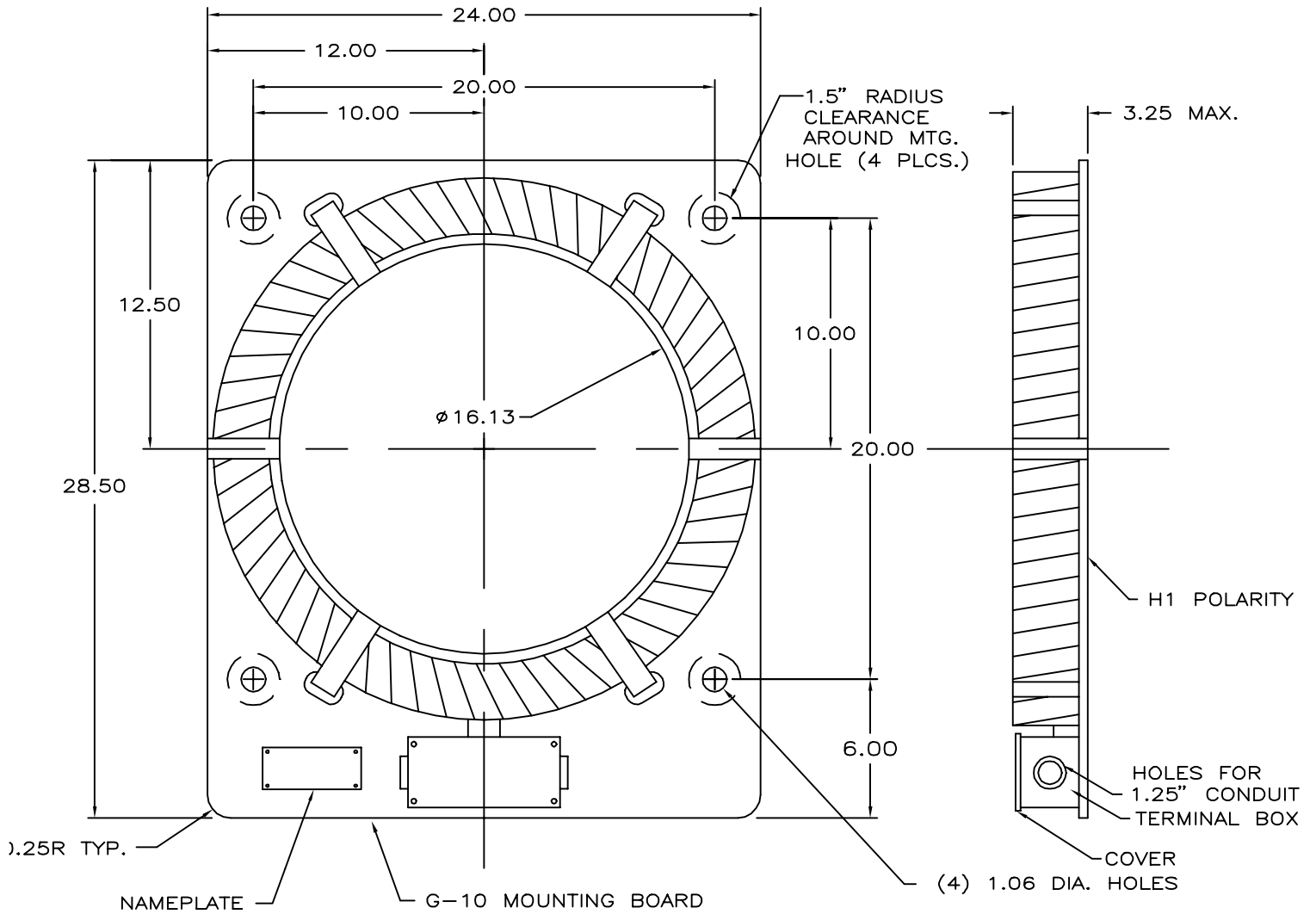
APPLICATION:
For high current, high fault, generator applications.

FREQUENCY:
50 - 400 Hz.

INSULATION LEVEL:
600 kV, BIL 10 kV full wave.

CONTINUOUS THERMAL CURRENT RATING FACTOR:
1.33 30°C. amb.

- Accuracy; metering - 0.3 B1.8, Relaying - C800.
- Temperature Class: Class B - 130° C.
- Mechanical short time: Unlimited.
- Shielded design for high stray flux environments.
- CT allows for mounting on bushings that are between 0° & 90° from horizontal.
- CT is fastened to G-10 mounting board with resin impregnated fiber glass banding tape.
- Approximate weight: 80 lbs.



RATIOS AVAILABLE FROM 5000:5 TO 20,000:5 AMPS.

CURRENT TRANSFORMER

Model B07

*Window Diameters 12.00"
thru 32.00"*

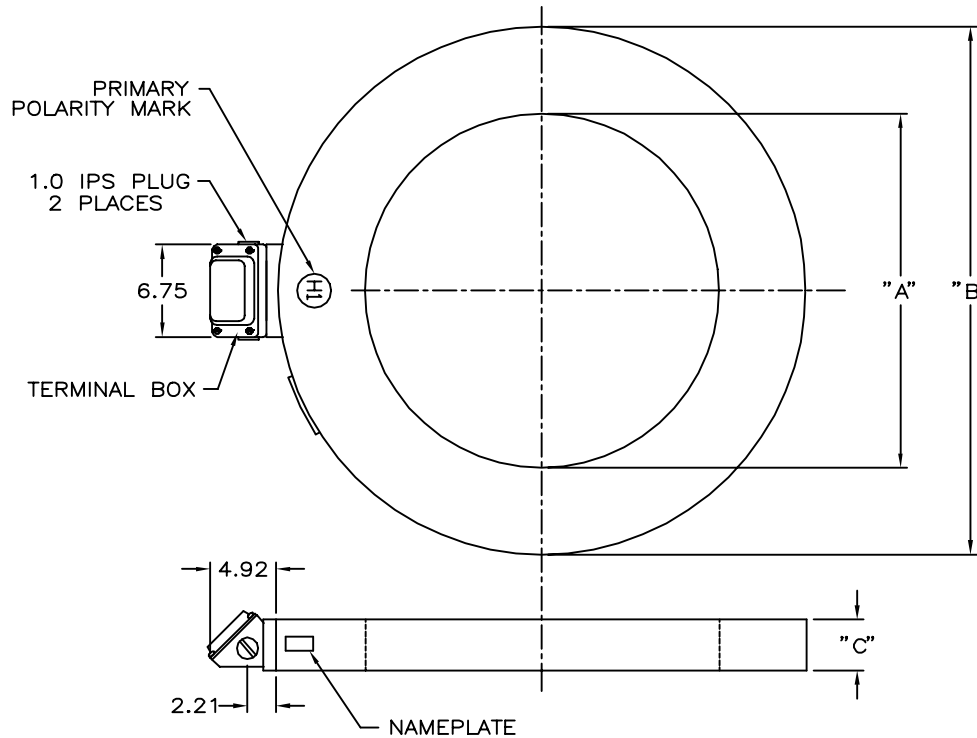
APPLICATION:
For high current, high fault, generator applications.

FREQUENCY:
60 Hz.

INSULATION LEVEL:
600 kV, 10 kV BIL full wave.

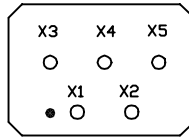
CONTINUOUS THERMAL CURRENT RATING FACTOR:
2.0 at 30°C. amb.

- Construction: Core and coil are encapsulated in polyurethane resin.

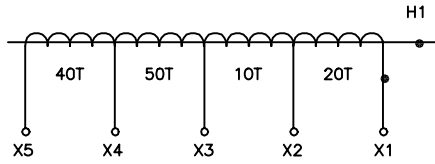


CATALOG NUMBER	RATIO	RELAYING ACCURACY	DIM. "A"	DIM. "B"	DIM. "C"	APPROX. WEIGHT	OPTIONAL GROUND SHIELD
B07-601-12	600:5MR	C400	12.00	24.75	4.50	226 lbs.	1221B27396-10
B07-601-18	600:5MR	C400	18.00	30.75	4.75	385 lbs.	1221B27396-11
B07-601-20	600:5MR	C400	20.00	32.75	4.75	352 lbs.	1221B27396-12
B07-601-22	600:5MR	C400	22.00	34.75	4.75	358 lbs.	1221B27396-13
B07-601-26	600:5MR	C400	26.00	38.75	4.75	404 lbs.	1221B27396-14
B07-601-28	600:5MR	C400	28.00	40.75	4.75	385 lbs.	1221B27396-15
B07-601-32	600:5MR	C400	32.00	43.50	5.00	460 lbs.	1221B27396-16
B07-122-12	1200:5MR	C800	12.00	24.75	4.50	233 lbs.	1221B27396-10
B07-122-18	1200:5MR	C800	18.00	30.75	4.50	307 lbs.	1221B27396-11
B07-122-20	1200:5MR	C800	20.00	32.75	4.50	331 lbs.	1221B27396-12
B07-122-22	1200:5MR	C800	22.00	34.75	4.50	356 lbs.	1221B27396-13
B07-122-26	1200:5MR	C800	26.00	38.75	4.50	406 lbs.	1221B27396-14
B07-122-28	1200:5MR	C800	28.00	40.75	4.50	429 lbs.	1221B27396-15
B07-122-32	1200:5MR	C800	32.00	43.50	4.75	460 lbs.	1221B27396-16
B07-202-12	2000:5MR	C800	12.00	24.75	3.75	183 lbs.	1221B27396-10
B07-202-18	2000:5MR	C800	18.00	30.75	3.75	216 lbs.	1221B27396-11
B07-202-20	2000:5MR	C800	20.00	32.75	3.75	233 lbs.	1221B27396-12
B07-202-22	2000:5MR	C800	22.00	34.75	3.75	251 lbs.	1221B27396-13
B07-202-26	2000:5MR	C800	26.00	38.75	3.75	284 lbs.	1221B27396-14
B07-202-28	2000:5MR	C800	28.00	40.75	3.75	302 lbs.	1221B27396-15
B07-202-32	2000:5MR	C800	32.00	43.50	3.75	315 lbs.	1221B27396-16
B07-302-12	3000:5MR	C800	12.00	24.75	3.75	144 lbs.	1221B27396-10
B07-302-18	3000:5MR	C800	18.00	30.75	3.75	189 lbs.	1221B27396-11
B07-302-20	3000:5MR	C800	20.00	32.75	3.75	202 lbs.	1221B27396-12
B07-302-22	3000:5MR	C800	22.00	34.75	3.75	215 lbs.	1221B27396-13
B07-302-26	3000:5MR	C800	26.00	38.75	3.75	243 lbs.	1221B27396-14
B07-302-28	3000:5MR	C800	28.00	40.75	3.75	257 lbs.	1221B27396-15
B07-302-32	3000:5MR	C800	32.00	43.50	3.75	268 lbs.	1221B27396-16

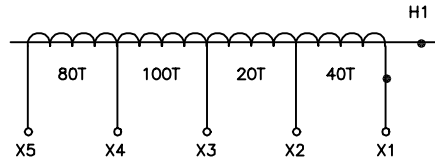
Model B07 Connection Diagrams



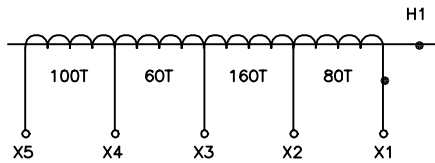
SECONDARY TERMINALS
(COVER REMOVED)



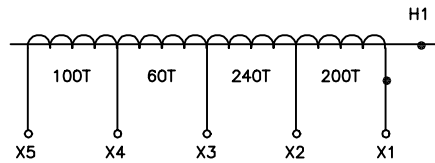
600:5MR



1200:5MR

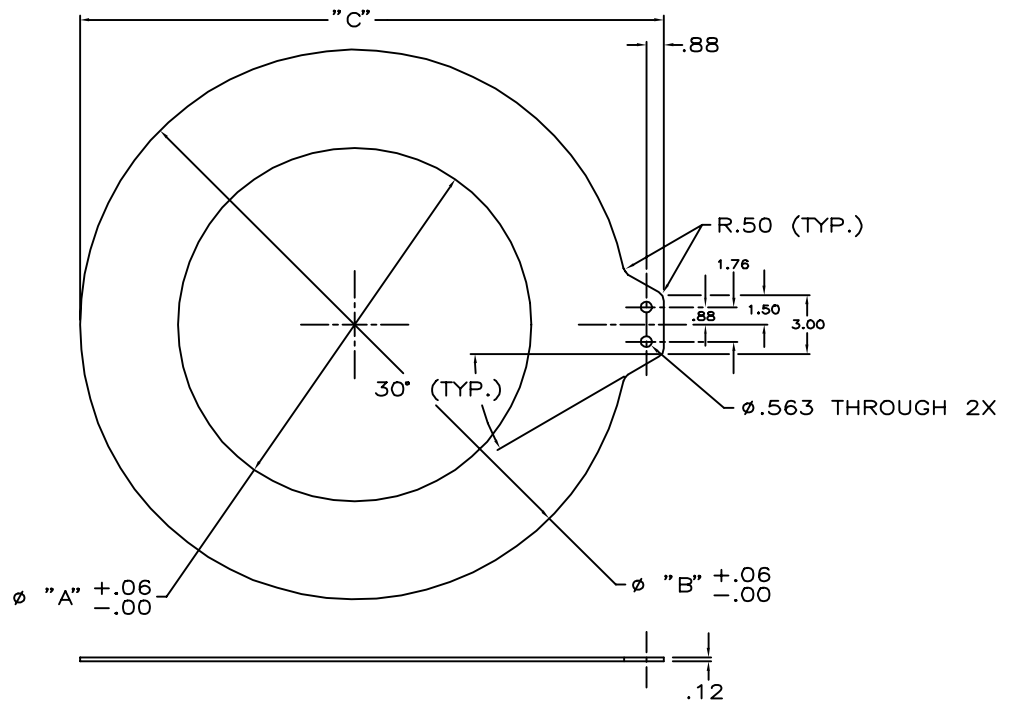


2000:5MR



3000:5MR

Model B07 Ground Shield



MATERIAL: 5052-H32 ALUMINUM PLATE PER ASTM-B209.

PART NUMBER	MODEL NUMBER	APPROX. WEIGHT	DIM. "A"	DIM. "B"	DIM. "C"
1221B27396-10	B07-GS-1225	7.5 lbs.	12.00	24.75	4.50
1221B27396-11	B07-GS-1831	10 lbs.	18.00	30.75	4.75
1221B27396-12	B07-GS-2033	11 lbs.	20.00	32.75	4.75
1221B27396-13	B07-GS-2235	11.5 lbs.	22.00	34.75	4.75
1221B27396-14	B07-GS-2639	13 lbs.	26.00	38.75	4.75
1221B27396-15	B07-GS-2841	14 lbs.	28.00	40.75	4.75
1221B27396-16	B07-GS-3244	14 lbs.	32.00	43.50	5.00