

CURRENT TRANSFORMER

Model B07

Window Diameters 12.00"
thru 32.00"

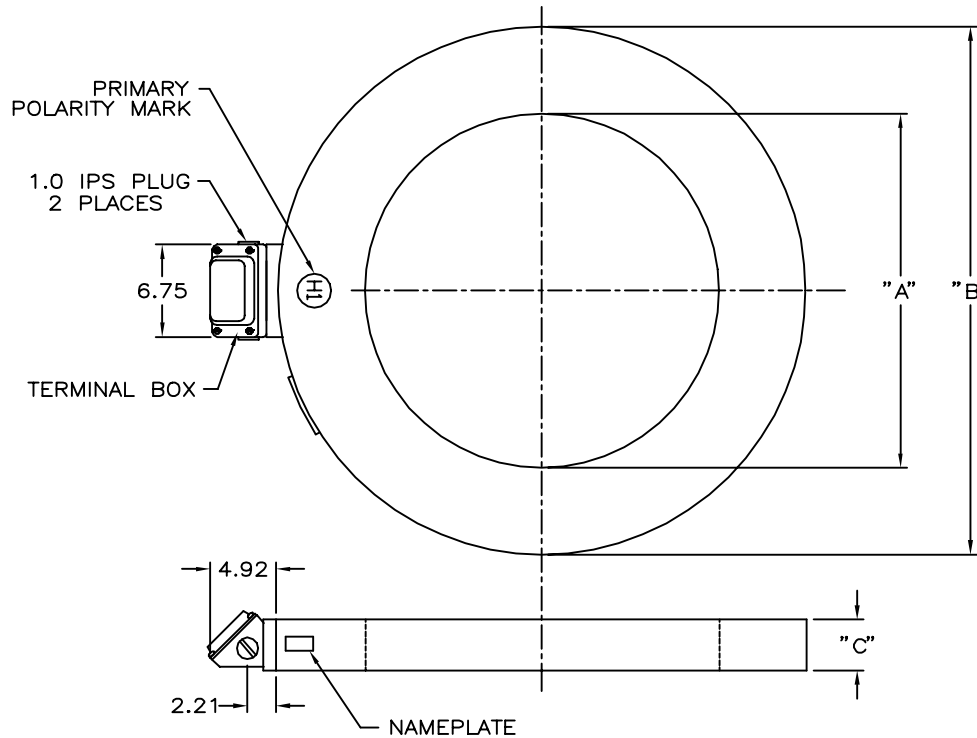
APPLICATION:
For high current, high fault, generator applications.

FREQUENCY:
60 Hz.

INSULATION LEVEL:
600 kV, 10 kV BIL full wave.

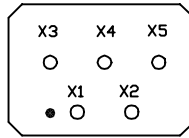
CONTINUOUS THERMAL CURRENT RATING FACTOR:
2.0 at 30°C. amb.

- Construction: Core and coil are encapsulated in polyurethane resin.

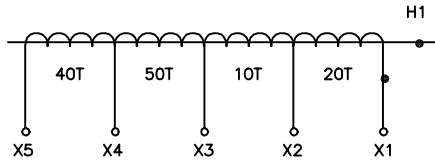


CATALOG NUMBER	RATIO	RELAYING ACCURACY	DIM. "A"	DIM. "B"	DIM. "C"	APPROX. WEIGHT	OPTIONAL GROUND SHIELD
B07-601-12	600:5MR	C400	12.00	24.75	4.50	226 lbs.	1221B27396-10
B07-601-18	600:5MR	C400	18.00	30.75	4.75	385 lbs.	1221B27396-11
B07-601-20	600:5MR	C400	20.00	32.75	4.75	352 lbs.	1221B27396-12
B07-601-22	600:5MR	C400	22.00	34.75	4.75	358 lbs.	1221B27396-13
B07-601-26	600:5MR	C400	26.00	38.75	4.75	404 lbs.	1221B27396-14
B07-601-28	600:5MR	C400	28.00	40.75	4.75	385 lbs.	1221B27396-15
B07-601-32	600:5MR	C400	32.00	43.50	5.00	460 lbs.	1221B27396-16
B07-122-12	1200:5MR	C800	12.00	24.75	4.50	233 lbs.	1221B27396-10
B07-122-18	1200:5MR	C800	18.00	30.75	4.50	307 lbs.	1221B27396-11
B07-122-20	1200:5MR	C800	20.00	32.75	4.50	331 lbs.	1221B27396-12
B07-122-22	1200:5MR	C800	22.00	34.75	4.50	356 lbs.	1221B27396-13
B07-122-26	1200:5MR	C800	26.00	38.75	4.50	406 lbs.	1221B27396-14
B07-122-28	1200:5MR	C800	28.00	40.75	4.50	429 lbs.	1221B27396-15
B07-122-32	1200:5MR	C800	32.00	43.50	4.75	460 lbs.	1221B27396-16
B07-202-12	2000:5MR	C800	12.00	24.75	3.75	183 lbs.	1221B27396-10
B07-202-18	2000:5MR	C800	18.00	30.75	3.75	216 lbs.	1221B27396-11
B07-202-20	2000:5MR	C800	20.00	32.75	3.75	233 lbs.	1221B27396-12
B07-202-22	2000:5MR	C800	22.00	34.75	3.75	251 lbs.	1221B27396-13
B07-202-26	2000:5MR	C800	26.00	38.75	3.75	284 lbs.	1221B27396-14
B07-202-28	2000:5MR	C800	28.00	40.75	3.75	302 lbs.	1221B27396-15
B07-202-32	2000:5MR	C800	32.00	43.50	3.75	315 lbs.	1221B27396-16
B07-302-12	3000:5MR	C800	12.00	24.75	3.75	144 lbs.	1221B27396-10
B07-302-18	3000:5MR	C800	18.00	30.75	3.75	189 lbs.	1221B27396-11
B07-302-20	3000:5MR	C800	20.00	32.75	3.75	202 lbs.	1221B27396-12
B07-302-22	3000:5MR	C800	22.00	34.75	3.75	215 lbs.	1221B27396-13
B07-302-26	3000:5MR	C800	26.00	38.75	3.75	243 lbs.	1221B27396-14
B07-302-28	3000:5MR	C800	28.00	40.75	3.75	257 lbs.	1221B27396-15
B07-302-32	3000:5MR	C800	32.00	43.50	3.75	268 lbs.	1221B27396-16

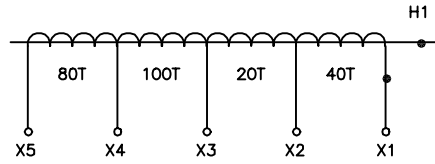
Model B07 Connection Diagrams



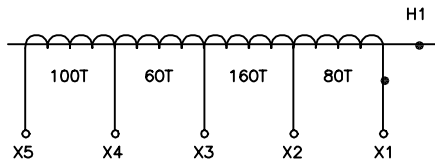
SECONDARY TERMINALS
(COVER REMOVED)



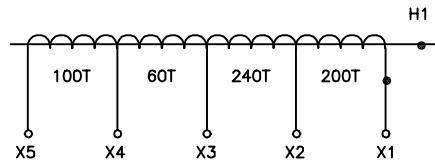
600:5MR



1200:5MR

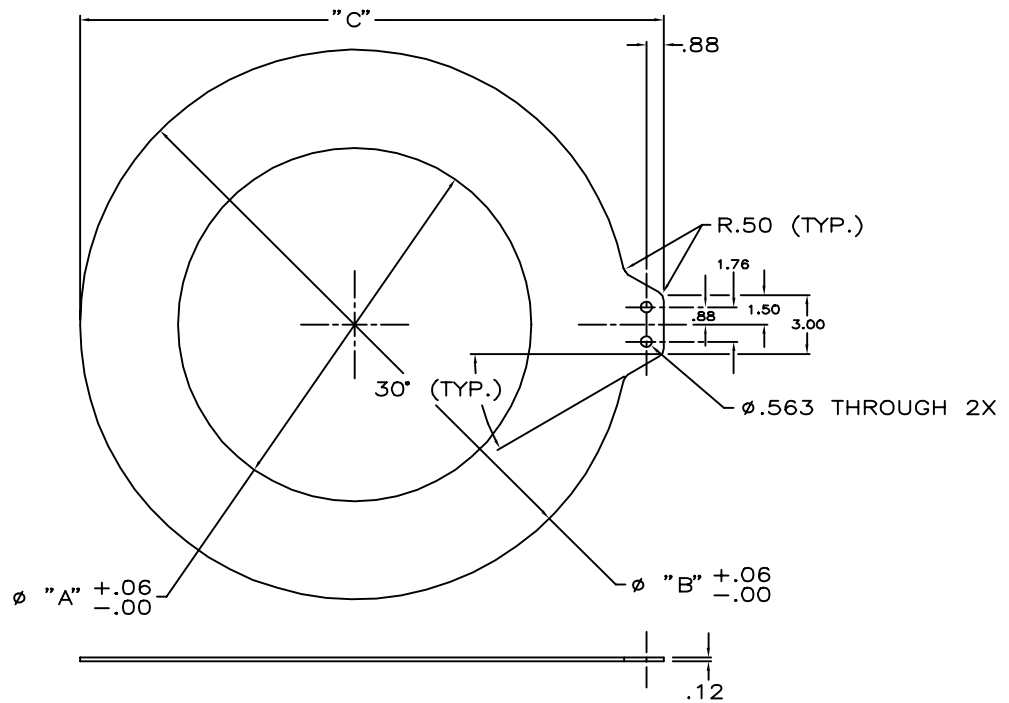


2000:5MR



3000:5MR

Model B07 Ground Shield



MATERIAL: 5052-H32 ALUMINUM PLATE PER ASTM-B209.

PART NUMBER	MODEL NUMBER	APPROX. WEIGHT	DIM. "A"	DIM. "B"	DIM. "C"
1221B27396-10	B07-GS-1225	7.5 lbs.	12.00	24.75	4.50
1221B27396-11	B07-GS-1831	10 lbs.	18.00	30.75	4.75
1221B27396-12	B07-GS-2033	11 lbs.	20.00	32.75	4.75
1221B27396-13	B07-GS-2235	11.5 lbs.	22.00	34.75	4.75
1221B27396-14	B07-GS-2639	13 lbs.	26.00	38.75	4.75
1221B27396-15	B07-GS-2841	14 lbs.	28.00	40.75	4.75
1221B27396-16	B07-GS-3244	14 lbs.	32.00	43.50	5.00