

CURRENT TRANSFORMERS

Model GCT-T

Windings to Meet Specific Applications

APPLICATION:

For high current, high fault, generator applications.

FREQUENCY:

50 - 400 Hz.

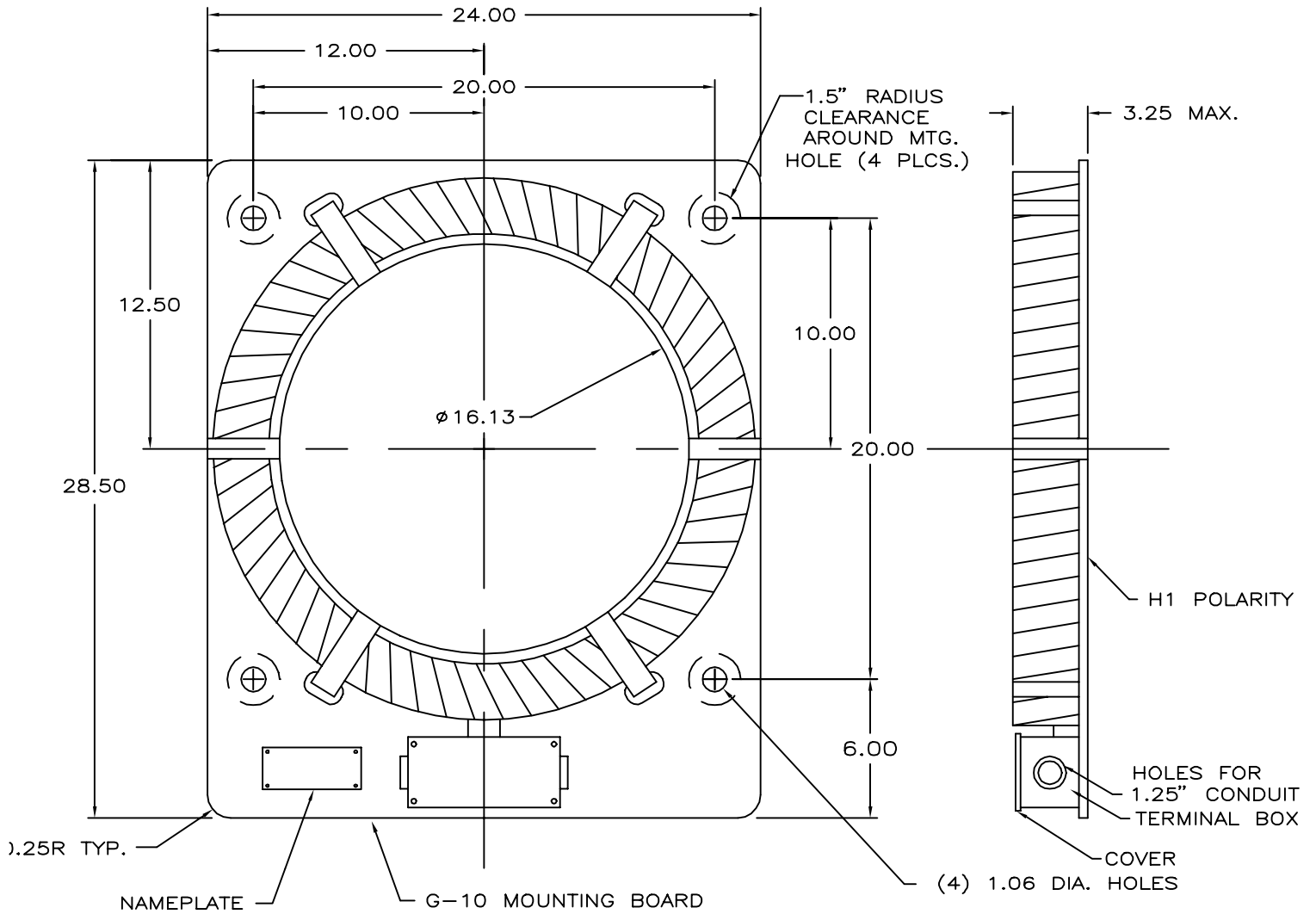
INSULATION LEVEL:

600 kV, BIL 10 kV full wave.

CONTINUOUS THERMAL

CURRENT RATING FACTOR:
1.33 30°C. amb.

- Accuracy; metering - 0.3 B1.8, Relaying - C800.
- Temperature Class: Class B - 130° C.
- Mechanical short time: Unlimited.
- Shielded design for high stray flux environments.
- CT allows for mounting on bushings that are between 0° & 90° from horizontal.
- CT is fastened to G-10 mounting board with resin impregnated fiber glass banding tape.
- Approximate weight: 80 lbs.



RATIOS AVAILABLE FROM 5000:5 TO 20,000:5 AMPS.