

# CURRENT TRANSFORMER

Model GCT-C

*Window Diameter 15.50"*

**APPLICATION:**

For high current, high fault, generator applications.

**FREQUENCY:**

50-400 Hz.

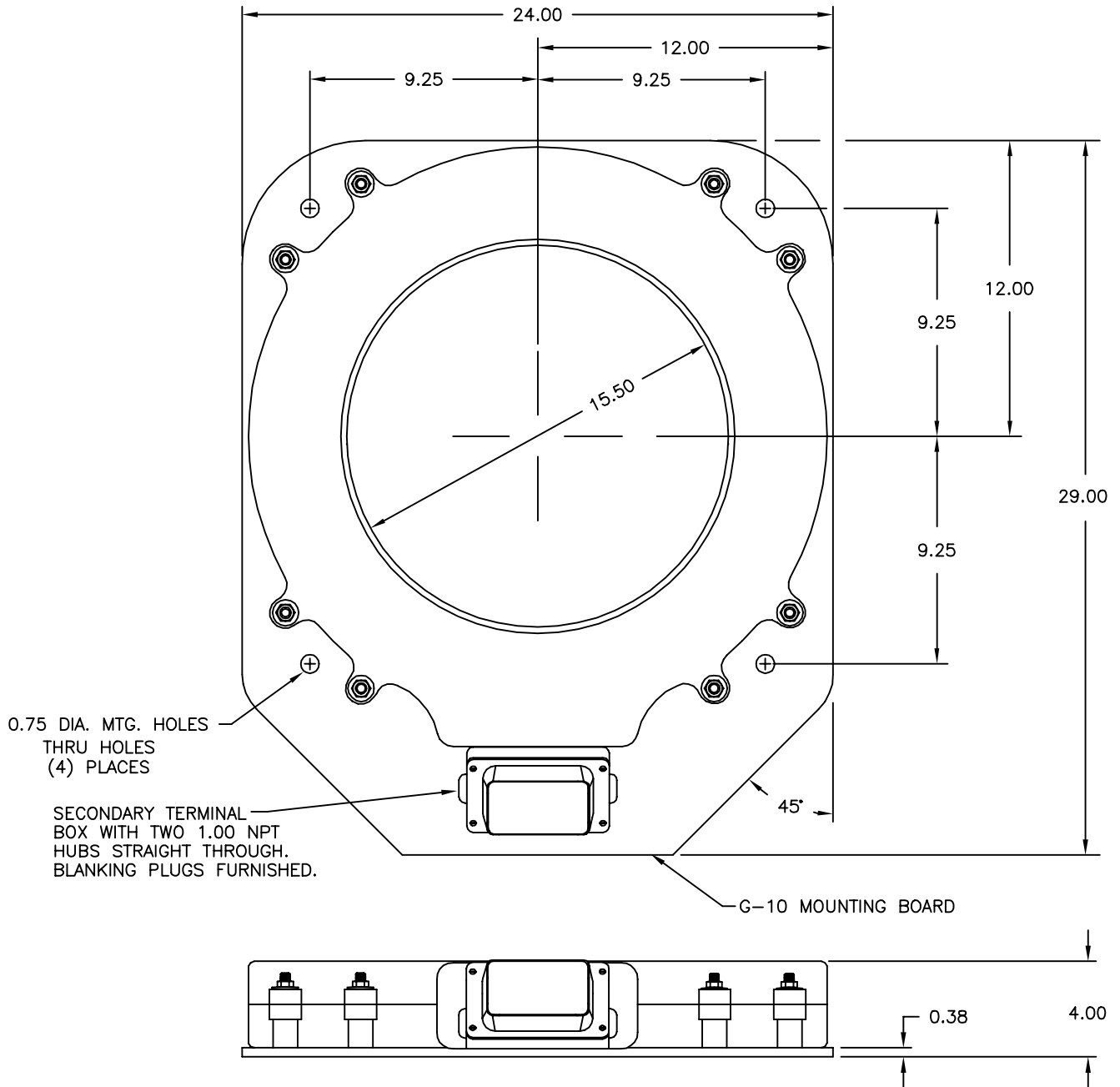
**INSULATION LEVEL:**

600 kV, 10 kV BIL full wave.

**CONTINUOUS THERMAL CURRENT RATING FACTOR:**

1.33 at 30°C. amb.

- Accuracy; metering – 0.3 B1.8, Relaying – C800
- Temperature Class: Class B – 130° C.
- Mechanical short time: Unlimited
- Shielded design for high stray flux environments.
- Secondary terminals are 1/4-20 brass studs with one flatwasher, lockwasher and nut.
- Approximate weight 80 lbs.



**RATIOS AVAILABLE FROM 5000:5 TO 20,000:5 AMPS.**