

CURRENT TRANSFORMERS

Cast Resin Construction

TO MEET SPECIFIC APPLICATIONS

APPLICATION:

Special sizes to mount over bushings in circuit breakers or reclosers.

FREQUENCY:

50 – 400 Hz.

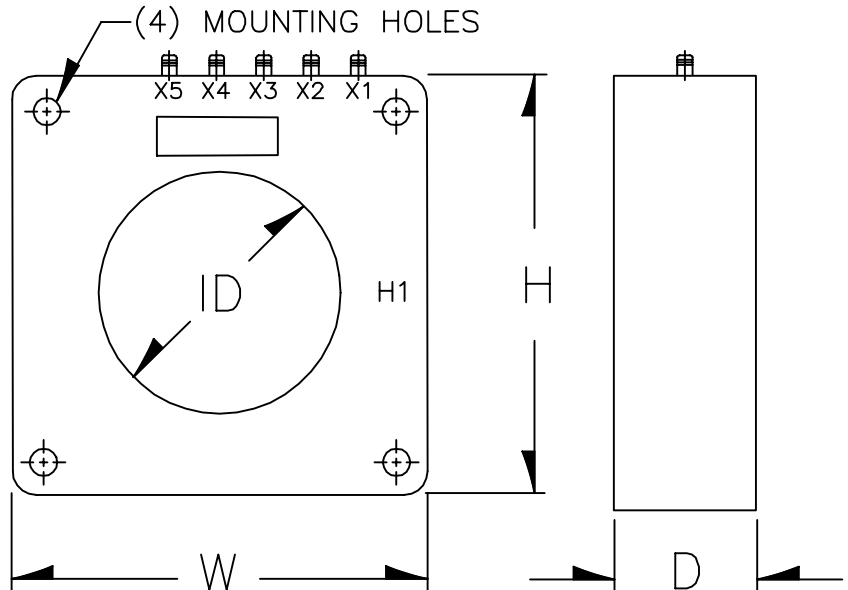
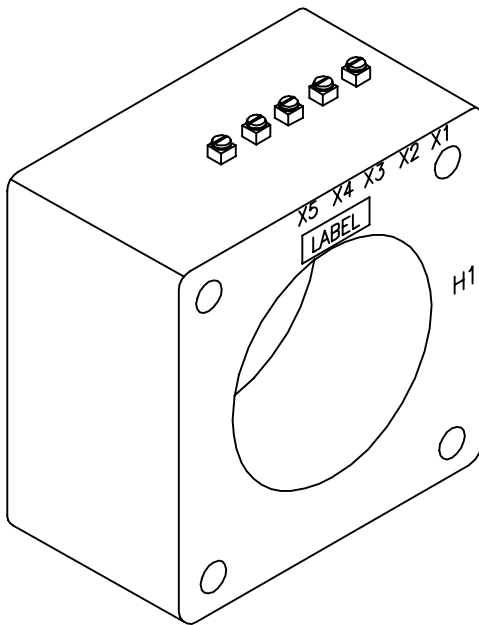
INSULATION LEVEL:

0.6kV, BIL 10 kV full wave.

CONTINUOUS THERMAL CURRENT RATING FACTOR:

Varies to suit the requirements.

- Secondary terminals are brass screws No. 10–32 with one flatwasher and lockwasher.
- Multi-ratio C.T.'s have the winding arranged so that the turns are fully distributed between all taps.



Listed below are presently available molded current transformer dimensions. Other dimensions are available on special order. Mounting holes are located to meet your design needs.

These transformers can be supplied as single, dual or multiple ratios. Where space is limited, two transformers can be cast in the same mold.

These transformers are cast in polyurethane for strength and durability.

Custom designed dimensions, relay class, thermal rating factor, ratios and frequency are available to meet your application needs.

| C.T. DIMENSIONS | | | | RATIO | MAX. RELAY CLASS | RATIO | MAX. RELAY CLASS |
|-----------------|-------|-------|--------|--------|------------------|--------|------------------|
| I.D. | W | H | MAX. D | | | | |
| 6.00 | 10.50 | 11.00 | 6.00 | 600:5 | C400 | 1200:5 | C800 |
| | | | | 2000:5 | C800 | 3000:5 | C800 |
| | | | | 4000:5 | C800 | 5000:5 | C800 |
| 7.88 | 12.50 | 13.00 | 7.00 | 600:5 | C200 | 1200:5 | C400 |
| | | | | 2000:5 | C800 | 3000:5 | C800 |
| | | | | 4000:5 | C800 | 5000:5 | C800 |
| 9.00 | 14.00 | 14.75 | 8.00 | 600:5 | C400 | 1200:5 | C800 |
| | | | | 2000:5 | C800 | 3000:5 | C800 |
| | | | | 4000:5 | C800 | 5000:5 | C800 |
| 11.75 | 15.63 | 15.63 | 6.75 | 50:5 | C10 | 300:5 | C100 |
| | | | | 600:5 | C200 | 1200:5 | C400 |
| | | | | 2000:5 | C600 | 3000:5 | C800 |
| | | | | 4000:5 | C800 | 6000:5 | C800 |