

# CURRENT TRANSFORMERS

## Model 200WP

*Wound Primary*

## Model 200X

*Auxiliary Transformer*

**FREQUENCY:**  
50-400Hz

**CONTINUOUS THERMAL CURRENT RATING FACTOR:**  
1.33 at 30°C. amb,  
1.0 at 55°C. amb.

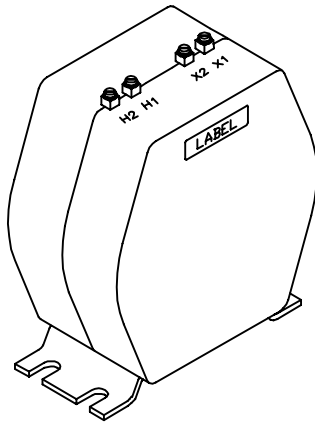
**INSULATION LEVEL**  
**MODEL 200 WOUND PRIMARY:**  
0.6 kV, BIL 10kV full wave.

- Terminals are 10-32 brass screws with one flatwasher, lockwasher and regular nut for ratios up to 25:5 and 1/4-20 studs for higher ratios.
- Approximate weight 46 lbs.

REGULATORY AGENCY APPROVALS



Manufactured to meet the requirements of ANSI/IEEE C57  
Classified by U.L. in accordance with IEC 44-1



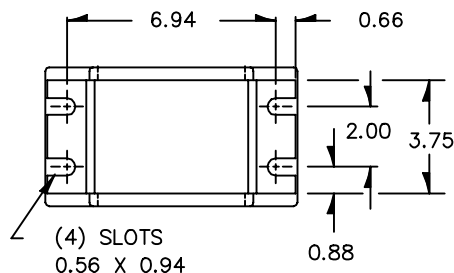
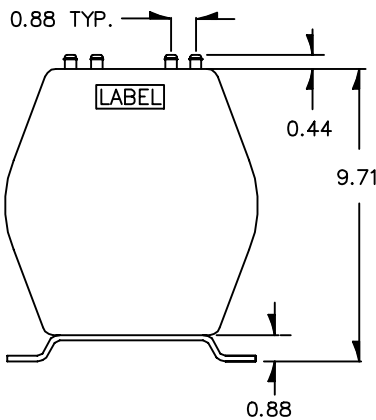
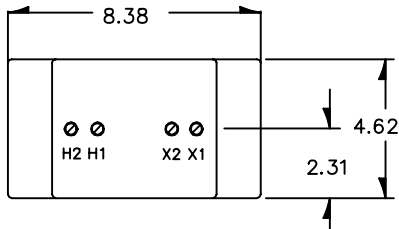
## Model 200WP

The Model 200WP is a low ratio wound primary current transformer, suitable for primary currents up to 50 amperes. It is rated for metering and relaying applications. The table below lists the most common current ratings. Other ratios are available.

CATALOG NUMBER	VA FOR 1% CLASS	RELAY CLASS	ANSI METERING CLASS AT 60 Hz				
			B0.1	B0.2	B0.5	B0.9	B1.8
200WP-1-XXX	150	T100	0.3	0.3	0.3	0.3	0.6
200WP-2-XXX	500	T200	0.3	0.3	0.3	0.3	0.3

RATIO	1:5	2.5:5	5:5	7.5:5	10:5	15:5	20:5	25:5	30:5	40:5	50:5
SUFFIX	001	0025	005	0075	010	015	020	025	030	040	050

\* \* \*  
\* 1/4-20 stud terminals



## Model 200X

ANSI Metering Class 0.3 B1.8

The Model 200X is an auxiliary transformer for use in the secondary of main current transformers to change the ratio for metering and relaying applications.

Since the Model 200X is used in the secondary of another current transformer it has no voltage rating. It is given a 2500 volt 60 Hz high potential test. It is designed to be used on circuits not to exceed 600 volts to ground or between windings.

CATALOG NUMBER	CURRENT RATIO	CATALOG NUMBER	CURRENT RATIO
200X0100	5:0.100	200X6250	5:6.250
200X0200	5:0.200	200X7500	5:7.500
200X0250	5:0.250	200X8000	5:8.000
200X0500	5:0.500	200X10000	5:10.000
200X0625	5:0.625	200X12500	5:12.500
200X1000	5:1.000	200X15000	5:15.000
200X1250	5:1.250	200X1500-5	1,500:5
200X1667	5:1.667	200X1667-5	1,667:5
200X2000	5:2.000	200X2500-5	2,500:5
200X2395	5:2.395	200X2875-5	2,875:5
200X2500	5:2.500	200X7500-5	7,500:5
200X2890	5:2.890	200X10500-5	10,500:5
200X3000	5:3.000	200X0500-1	0.500:1
200X3330	5:3.330	200X0923-1	0.923:1
200X3750	5:3.750	200X0400-10	0.400:10
200X4000	5:4.000		
200X5000	5:5.000		
200X5330	5:5.330		