

CURRENT TRANSFORMER

Model 793MR

Window Diameter 4.00"

APPLICATION:
Relaying and metering.

FREQUENCY:
50-400 Hz.

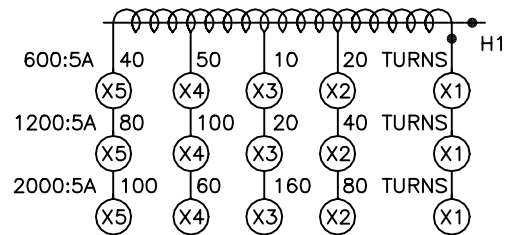
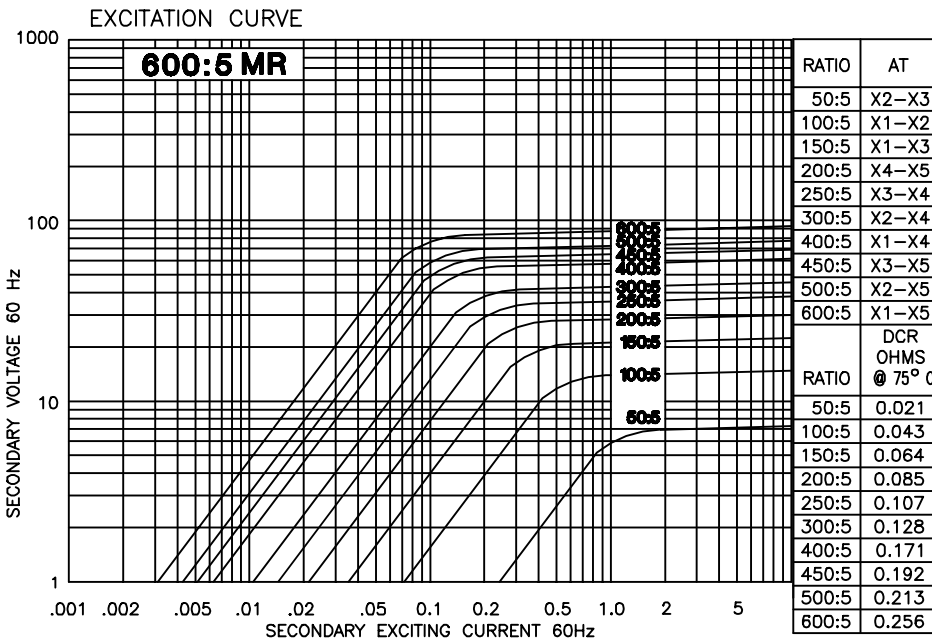
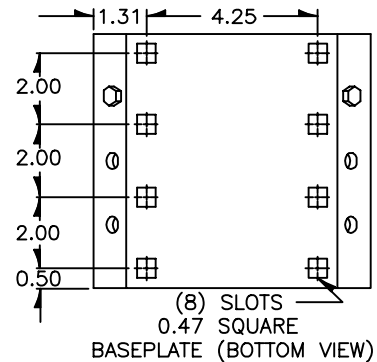
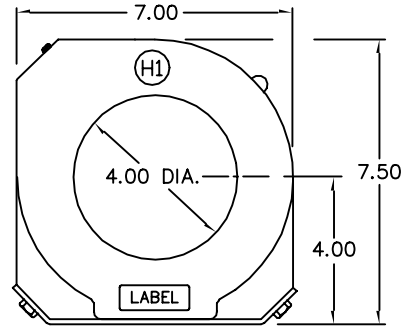
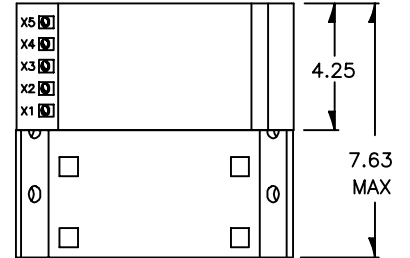
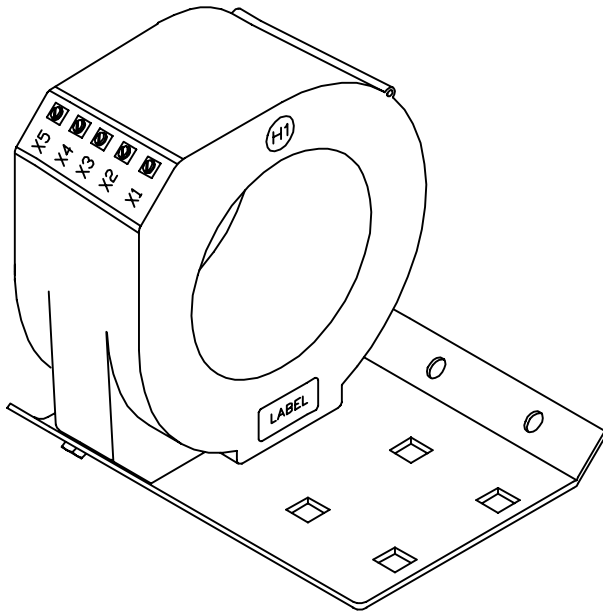
INSULATION LEVEL:
0.6 kV, BIL 10 kV full wave.

- Secondary terminals are brass screws No. 10-32 with one flatwasher and lockwasher.
- Approximate weight 20 lbs.

REGULATORY AGENCY APPROVALS



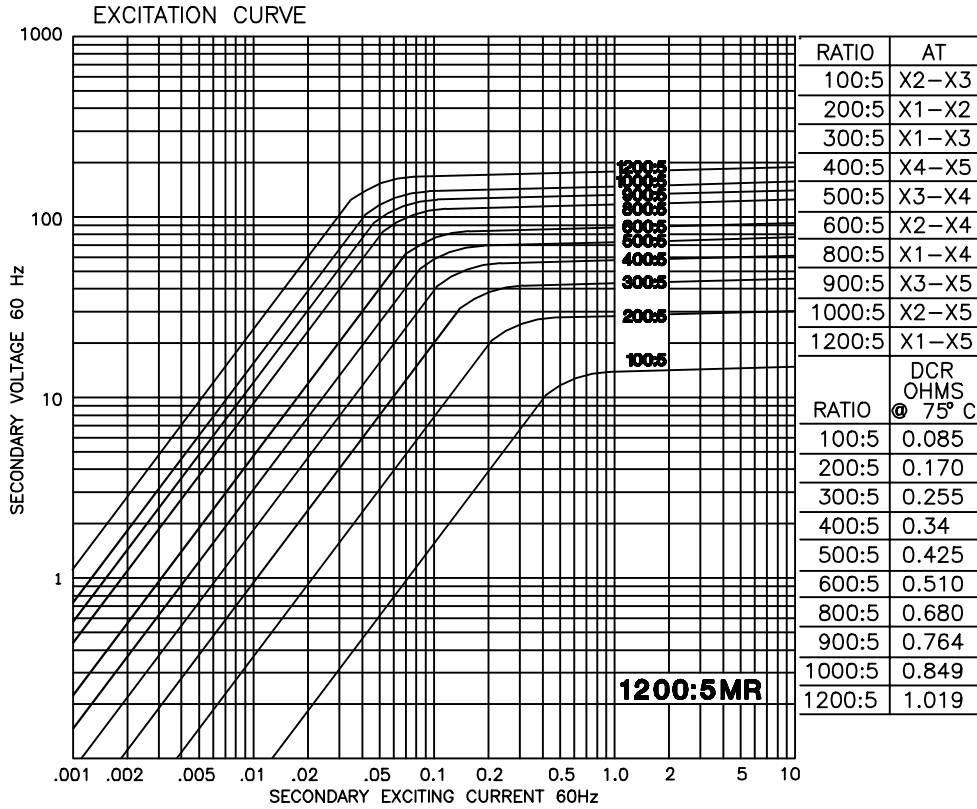
Manufactured to meet the requirements of ANSI/IEEE C57.13.
Classified by U.L. in accordance with IEC 44-1.



MODEL 793 - 601MR - rating C50

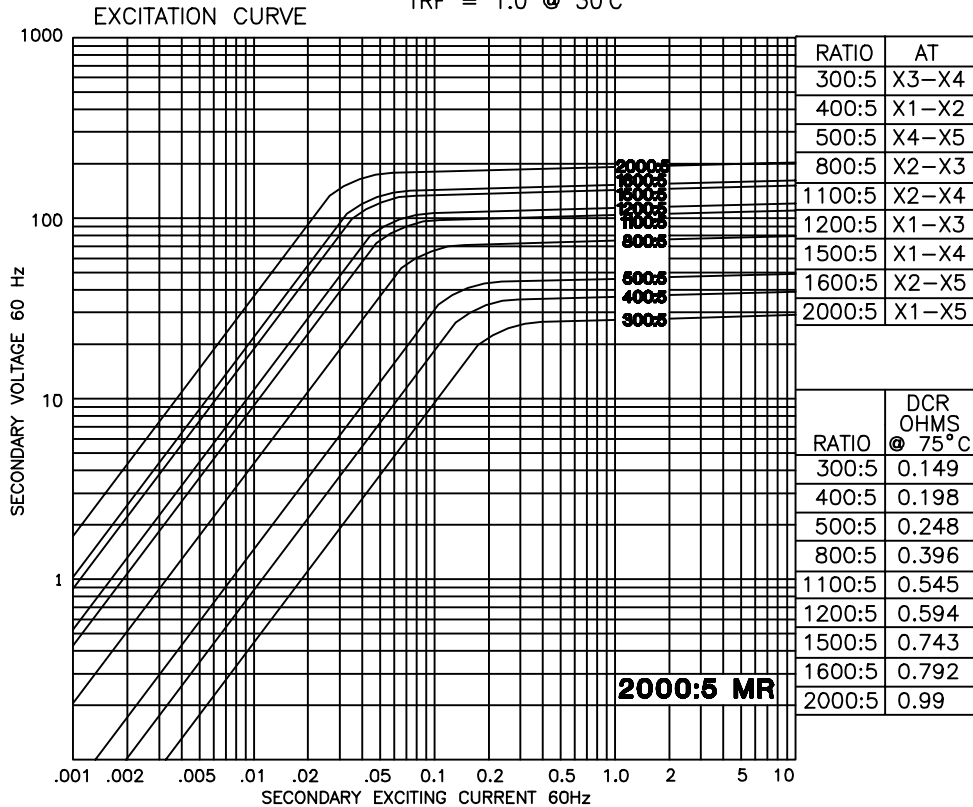
TRF = 2.0 @ 30°C

TYPICAL EXCITATION CURVES - MODEL 793MR



MODEL 793 - 122MR - rating C100

TRF = 1.0 @ 30°C



MODEL 793 - 202MR - rating C100

TRF = 1.0 @ 30°C