

# CURRENT TRANSFORMER

Model 790MR

Window Diameter 5.00"

**APPLICATION:**  
Relaying and metering.

**FREQUENCY:**  
50-400 Hz.

**INSULATION LEVEL:**  
0.6 kV, BIL 10 kV full wave.

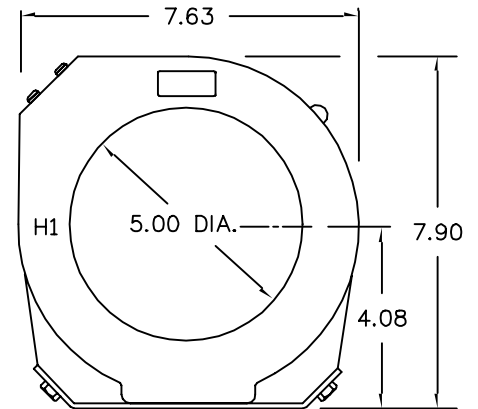
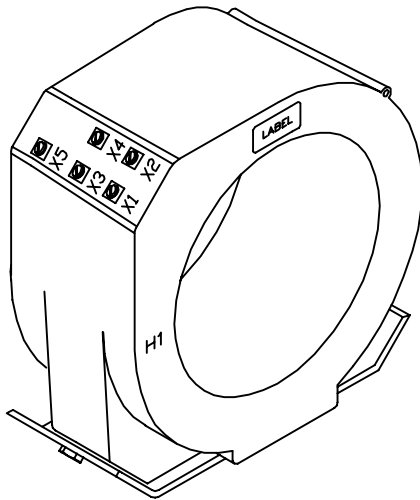
**CONTINUOUS THERMAL CURRENT RATING FACTOR:**  
2.0 at 30°C. amb., 1.5 at 55°C. amb.

- Secondary terminals are brass screws No. 10-32 with one flatwasher and lockwasher.
- Approximate weight 15 lbs.

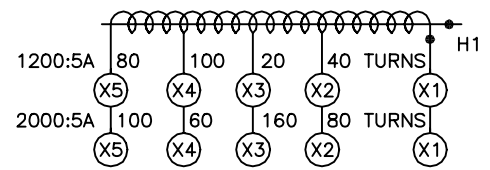
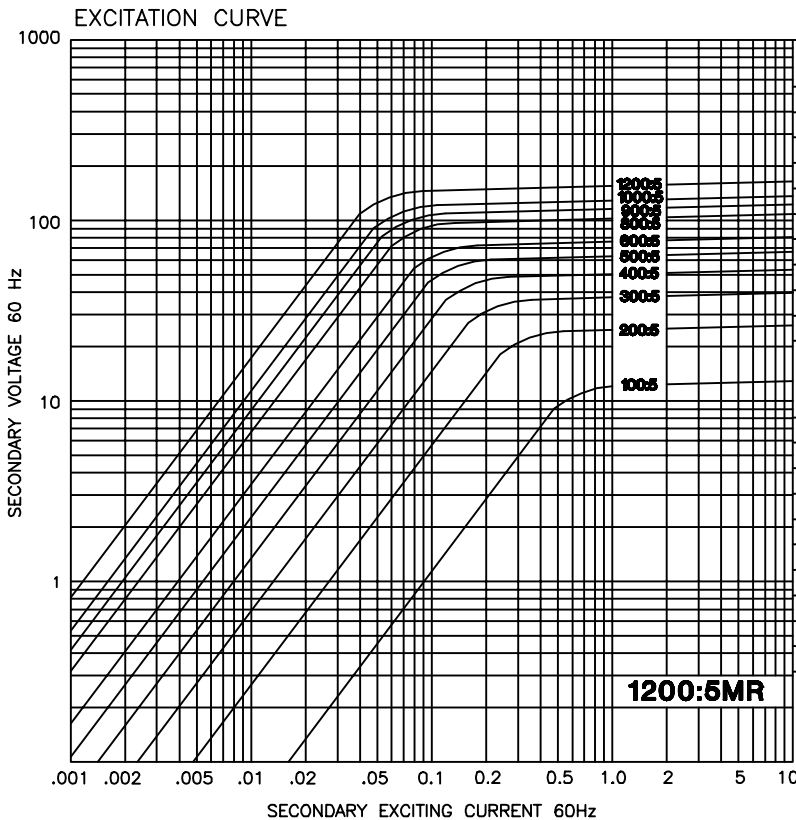
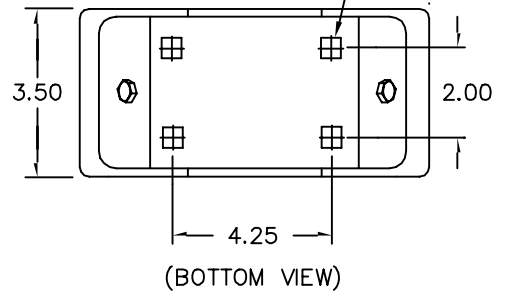
REGULATORY AGENCY APPROVALS



Manufactured to meet the requirements of ANSI/IEEE C57.13.  
Classified by U.L. in accordance with IEC 44-1.

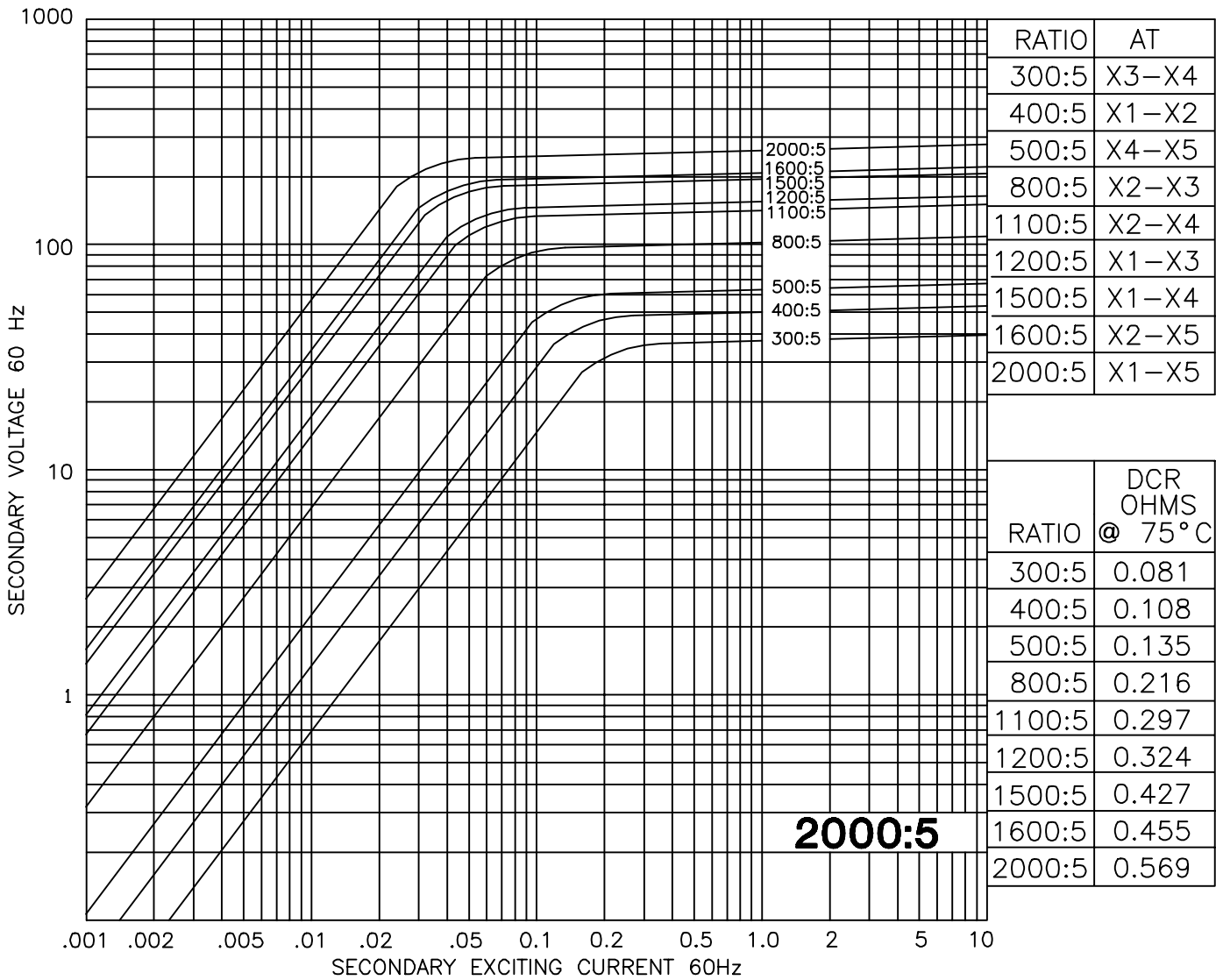


BASEPLATE HAS  
(4) 0.47 SQUARE HOLES  
FOR CAPTIVE NUTS



MODEL 790-122 MR - rating C100

# TYPICAL EXCITATION CURVE - MODEL 790MR



**MODEL 790-202MR - rating C100**