

CURRENT TRANSFORMER

Model 790

Window Diameter 5.00"

APPLICATION:
Relaying and metering.

FREQUENCY:
50-400 Hz.

INSULATION LEVEL:
0.6 kV, BIL 10 kV full wave.

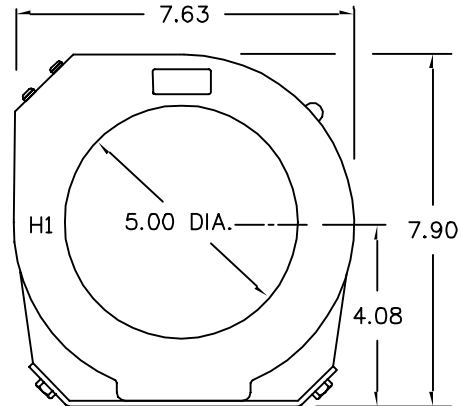
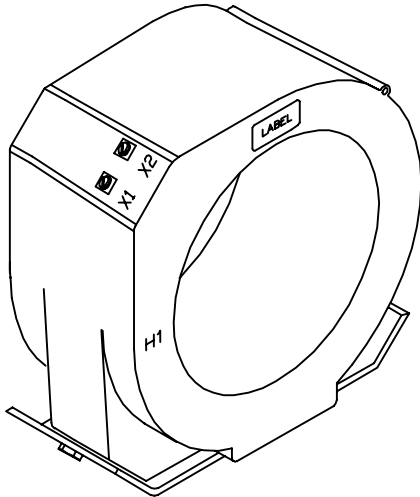
CONTINUOUS THERMAL CURRENT RATING FACTOR:
2.0 at 30°C. amb., 1.5 at 55°C. amb.

- Secondary terminals are brass screws No. 10-32 with one flatwasher and lockwasher.
- Approximate weight 15 lbs.

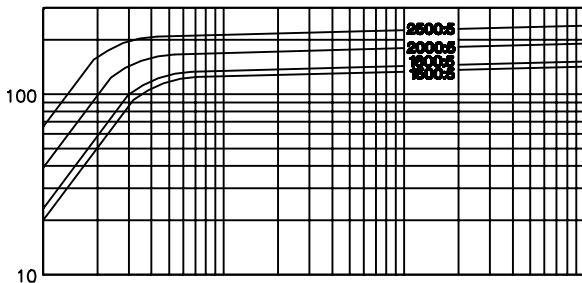
REGULATORY AGENCY APPROVALS



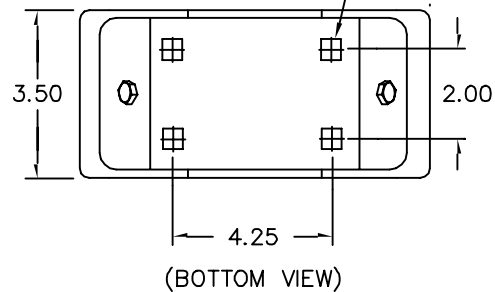
Manufactured to meet the requirements of ANSI/IEEE C57.13.
Classified by U.L. in accordance with IEC 44-1.



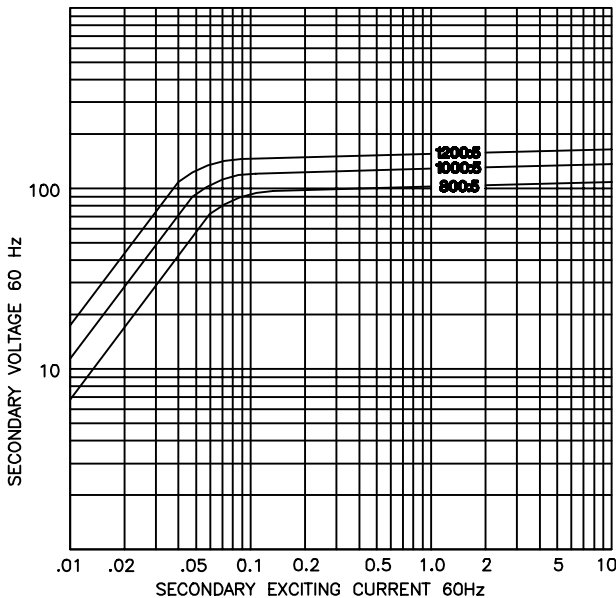
EXCITATION CURVE



BASEPLATE HAS
(4) 0.47 SQUARE HOLES
FOR CAPTIVE NUTS



(BOTTOM VIEW)



| CATALOG NUMBER | CURRENT RATIO | RELAY CLASS | ANSI METERING CLASS AT 60 Hz | | | | | SECONDARY WINDING RESISTANCE (OHMS @ 75 °C) |
|----------------|---------------|-------------|------------------------------|------|------|------|------|---|
| | | | B0.1 | B0.2 | B0.5 | B0.9 | B1.8 | |
| 790-801 | 800:5 | C100 | 0.3 | 0.3 | 0.3 | 0.3 | 0.3 | 0.310 |
| 790-102 | 1000:5 | C100 | 0.3 | 0.3 | 0.3 | 0.3 | 0.3 | 0.388 |
| 790-122 | 1200:5 | C100 | 0.3 | 0.3 | 0.3 | 0.3 | 0.3 | 0.465 |
| 790-152 | 1500:5 | C100 | 0.3 | 0.3 | 0.3 | 0.3 | 0.3 | 0.427 |
| 790-162 | 1600:5 | C100 | 0.3 | 0.3 | 0.3 | 0.3 | 0.3 | 0.455 |
| 790-202 | 2000:5 | C100 | 0.3 | 0.3 | 0.3 | 0.3 | 0.3 | 0.569 |
| 790-252 | 2500:5 | C100 | 0.3 | 0.3 | 0.3 | 0.3 | 0.3 | 0.891 |