

CURRENT TRANSFORMER

Model 788

Window Diameter 4.00"

APPLICATION:
Relaying and metering.

FREQUENCY:
50-400 Hz.

INSULATION LEVEL:
0.6 kV, BIL 10 kV full wave.

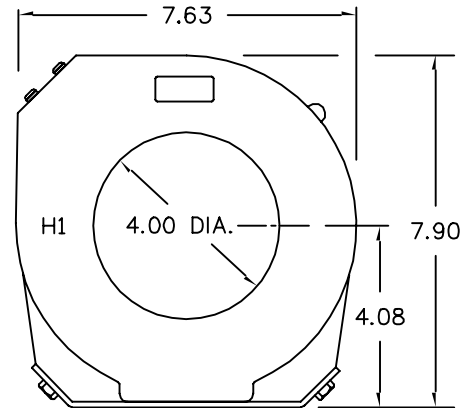
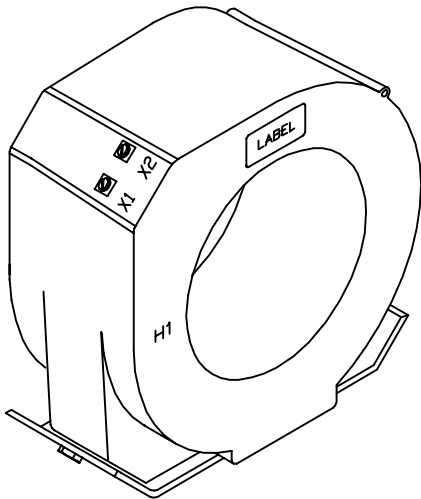
CONTINUOUS THERMAL CURRENT RATING FACTOR:
2.0 at 30°C. amb., 1.5 at 55°C. amb.

- Secondary terminals are brass screws No. 10-32 with one flatwasher and lockwasher.
- Approximate weight 20 lbs.

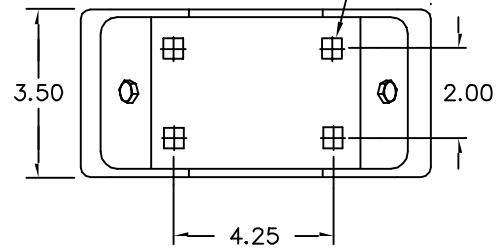
REGULATORY AGENCY APPROVALS



Manufactured to meet the requirements of ANSI/IEEE C57.13.
Classified by U.L. in accordance with IEC 44-1.

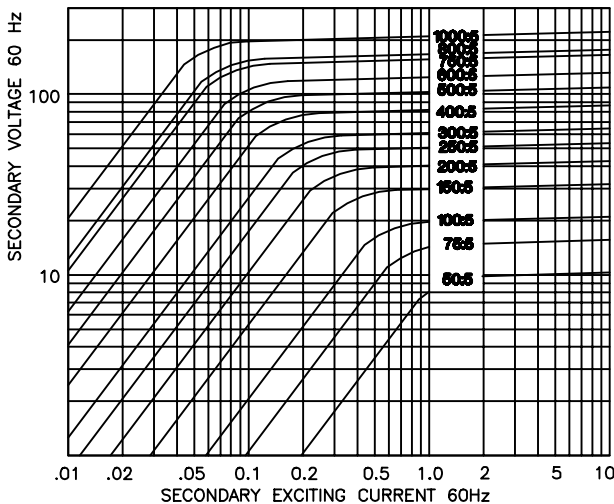
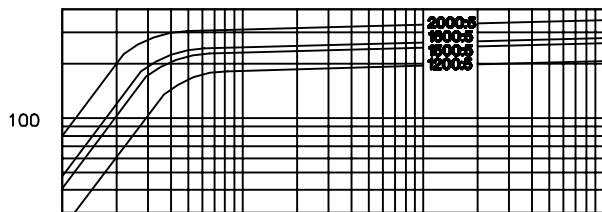


BASEPLATE HAS
(4) 0.47 SQUARE HOLES
FOR CAPTIVE NUTS



(BOTTOM VIEW)

EXCITATION CURVE



CATALOG NUMBER	CURRENT RATIO	RELAY CLASS	ANSI METERING CLASS AT 60 Hz					SECONDARY WINDING RESISTANCE (OHMS @ 75 °C)
			B0.1	B0.2	B0.5	B0.9	B1.8	
788 - 500	50:5	C10	4.8	4.8	-	-	-	0.017
788 - 750	75:5	C10	2.4	2.4	4.8	-	-	0.025
788 - 101	100:5	C10	1.2	2.4	4.8	4.8	-	0.035
788 - 151	150:5	C20	0.6	1.2	2.4	2.4	4.8	0.052
788 - 201	200:5	C20	0.6	0.6	1.2	2.4	2.4	0.070
788 - 251	250:5	C50	0.6	0.6	0.6	1.2	2.4	0.087
788 - 301	300:5	C50	0.3	0.3	0.6	1.2	1.2	0.104
788 - 401	400:5	C50	0.3	0.3	0.3	0.6	1.2	0.139
788 - 501	500:5	C100	0.3	0.3	0.3	0.3	0.6	0.174
788 - 601	600:5	C100	0.3	0.3	0.3	0.3	0.3	0.209
788 - 751	750:5	C100	0.3	0.3	0.3	0.3	0.3	0.329
788 - 801	800:5	C100	0.3	0.3	0.3	0.3	0.3	0.351
788 - 102	1000:5	C200	0.3	0.3	0.3	0.3	0.3	0.438
788 - 122	1200:5	C200	0.3	0.3	0.3	0.3	0.3	0.389
788 - 152	1500:5	C200	0.3	0.3	0.3	0.3	0.3	0.487
788 - 162	1600:5	C200	0.3	0.3	0.3	0.3	0.3	0.519
788 - 202	2000:5	C200	0.3	0.3	0.3	0.3	0.3	0.814