

CURRENT TRANSFORMER

Model 785

Window Diameter 6.50"

APPLICATION:
Relaying and metering.

FREQUENCY:
50-400 Hz.

INSULATION LEVEL:
0.6 kV, BIL 10 kV full wave.

REGULATORY AGENCY APPROVALS

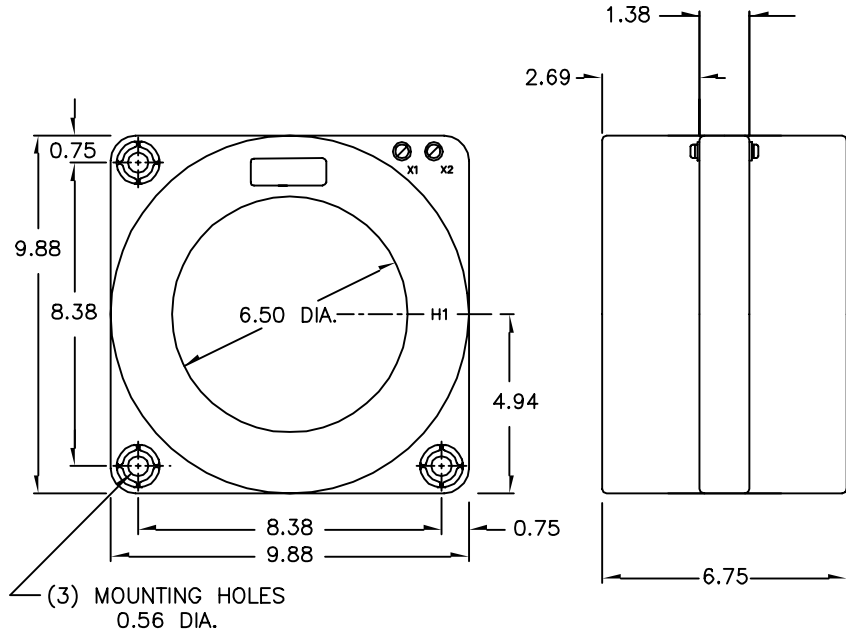
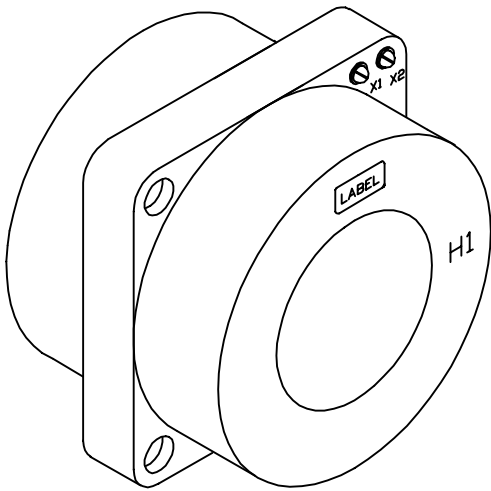


Manufactured to meet the requirements of ANSI/IEEE C57.13.
Classified by U.L. in accordance with IEC 44-1.
Approved for revenue metering by Industry Canada. AE-0657(*)

CONTINUOUS THERMAL CURRENT RATING FACTOR:

50:5 - 1200:5 2.0 at 30°C ambient.
1.5 at 55°C ambient.
1500:5 - 2500:5 1.5 at 30°C ambient.
1.33 at 55°C ambient.
3000:5 - 4000:5 1.33 at 30°C ambient.
1.0 at 55°C ambient.

- Secondary terminals are brass screws No. 10-32 with one flatwasher and lockwasher, accessible from either side.
- Approximate weight 58 lbs.



CATALOG NUMBER	CURRENT RATIO	RELAY CLASS	ANSI METERING CLASS AT 60 Hz				
			B0.1	B0.2	B0.5	B0.9	B1.8
785-500	50:5	C 10	2.4	4.8	-	-	-
785-750	75:5	C 20	1.2	1.2	2.4	-	-
785-101	100:5 *	C 20	0.6	1.2	2.4	-	-
785-151	150:5 *	C 50	0.6	0.6	1.2	2.4	-
785-201	200:5 *	C 50	0.3	0.3	0.6	1.2	2.4
785-251	250:5 *	C 50	0.3	0.3	0.6	1.2	2.4
785-301	300:5 *	C100	0.3	0.3	0.3	0.6	1.2
785-401	400:5 *	C100	0.3	0.3	0.3	0.6	1.2
785-501	500:5 *	C100	0.3	0.3	0.3	0.3	0.6
785-601	600:5 *	C200	0.3	0.3	0.3	0.3	0.6
785-751	750:5 *	C200	0.3	0.3	0.3	0.3	0.3
785-801	800:5 *	C200	0.3	0.3	0.3	0.3	0.3
785-102	1000:5 *	C200	0.3	0.3	0.3	0.3	0.3
785-122	1200:5 *	C400	0.3	0.3	0.3	0.3	0.3
785-152	1500:5 *	C400	0.3	0.3	0.3	0.3	0.3
785-162	1600:5 *	C400	0.3	0.3	0.3	0.3	0.3
785-202	2000:5 *	C400	0.3	0.3	0.3	0.3	0.3
785-252	2500:5 *	C400	0.3	0.3	0.3	0.3	0.3
785-302	3000:5 *	C400	0.3	0.3	0.3	0.3	0.3
785-402	4000:5 *	C400	0.3	0.3	0.3	0.3	0.3

TYPICAL EXCITATION CURVE - MODEL 785

