

CURRENT TRANSFORMER

APPLICATION:
Relaying and metering.

FREQUENCY:
50-400 Hz.

CONTINUOUS THERMAL CURRENT RATING FACTOR:

1.33 at 30°C. amb. 1.0 at 55°C. amb.

Model 727

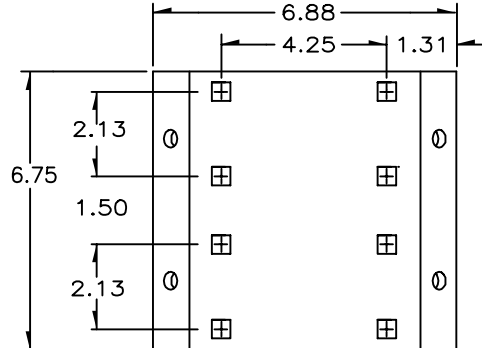
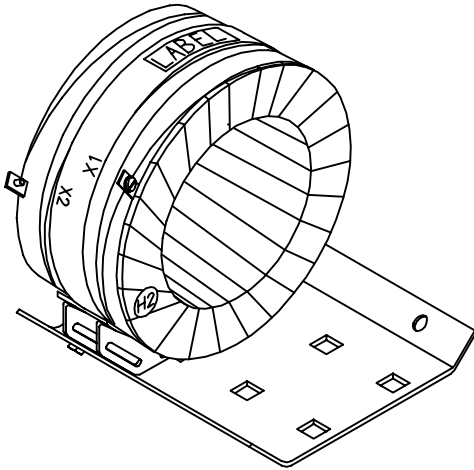
INSULATION LEVEL:
0.6 kV, BIL 10 kV full wave.
REGULATORY AGENCY APPROVALS

- Secondary terminals are brass screws No.10-32 with one flat-washer, lockwasher and regular nut.
- Multi-ratios available on request.
- Approximate weight 17 lbs.

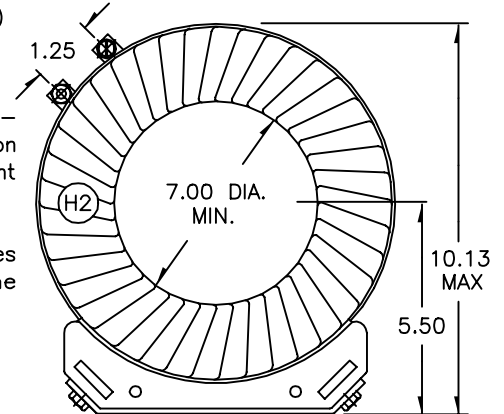
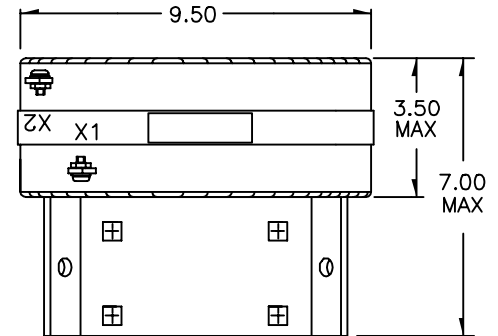
Window Diameter 7.00"



Manufactured to meet the requirements of ANSI/IEEE C57.13.
Classified by U.L. in accordance with IEC 44-1.



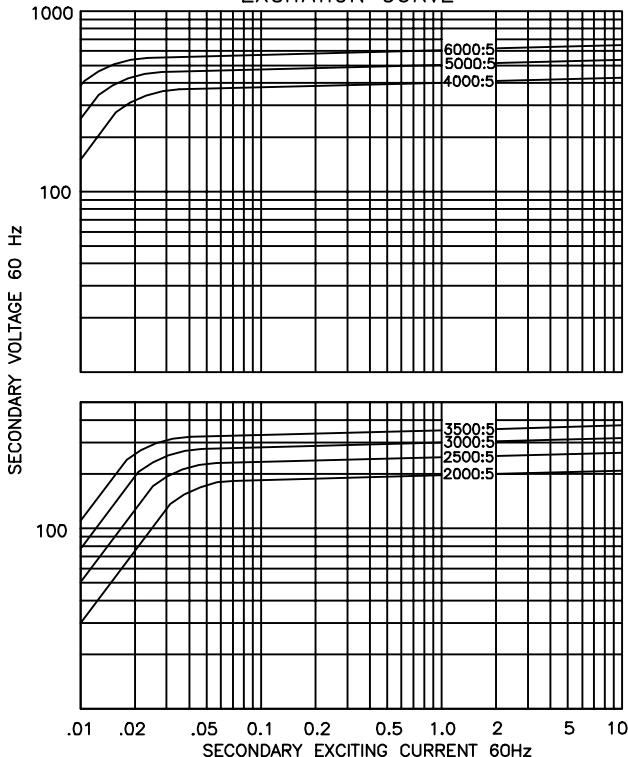
BASEPLATE (BOTTOM VIEW)
(8) SLOTS
0.47 SQUARE



Dual current transformers can be fitted with the same or different ratios. Unless otherwise specified, only one current transformer will be supplied, mounted in the rear position of the base plate. The current transformer can be repositioned to the center or front or removed after installation without removing the base plate.

When two current transformers are supplied on a common base plate, the secondaries will be marked 1X1, 1X2 and 2X1, 2X2, with current transformer No.1 in the front position.

EXCITATION CURVE



CATALOG NUMBER	CURRENT RATIO	RELAY CLASS	ANSI METERING CLASS AT 60 Hz					SECONDARY WINDING RESISTANCE (OHMS @ 75 °C)
			B0.1	B0.2	B0.5	B0.9	B1.8	
727-202	2000:5	C100	0.3	0.3	0.3	0.3	0.3	0.858
727-252	2500:5	C100	0.3	0.3	0.3	0.3	0.3	1.124
727-302	3000:5	C200	0.3	0.3	0.3	0.3	0.3	1.348
727-352	3500:5	C200	0.3	0.3	0.3	0.3	0.3	1.573
727-402	4000:5	C100	0.3	0.3	0.3	0.3	0.3	1.655
727-502	5000:5	C100	0.3	0.3	0.3	0.3	0.3	2.170
727-602	6000:5	C100	0.3	0.3	0.3	0.3	0.3	2.604