

# CURRENT TRANSFORMER

Model 725

Window Diameter 7.00"

**APPLICATION:**  
Relaying and metering.

**FREQUENCY:**  
50-400 Hz.

**INSULATION LEVEL:**  
0.6 kV, BIL 10 kV full wave.

REGULATORY AGENCY APPROVALS



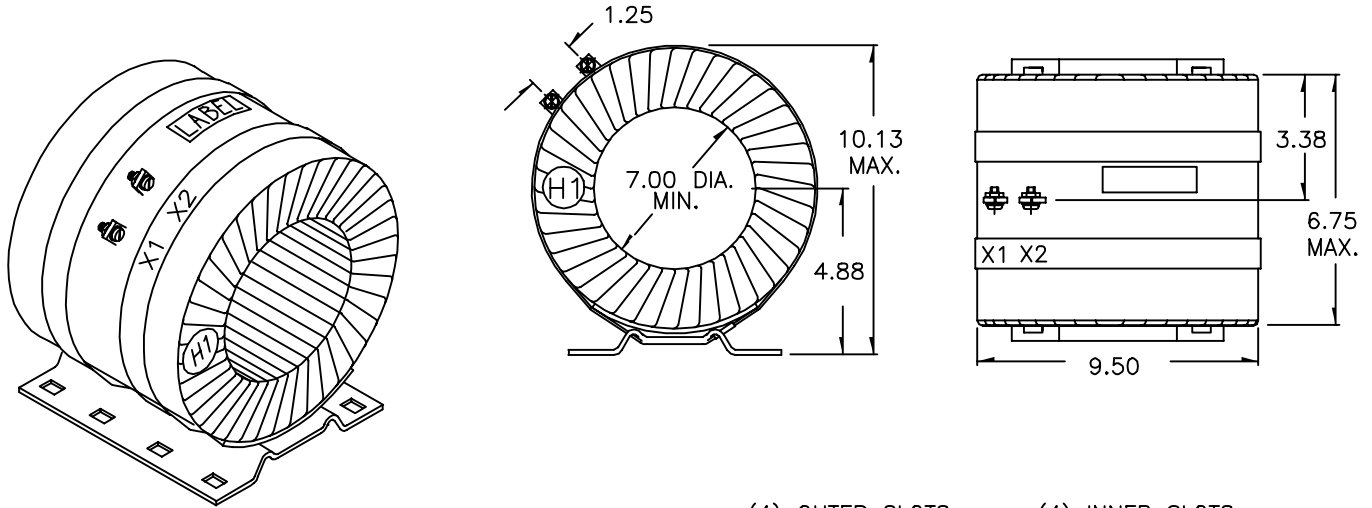
Manufactured to meet the requirements of ANSI/IEEE C57.13.  
Classified by U.L. in accordance with IEC 44-1.

Approved for revenue metering by Industry Canada. T-209

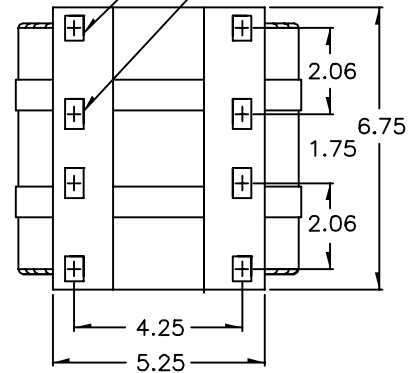
**CONTINUOUS THERMAL CURRENT RATING FACTOR:**

2.0 at 30°C. amb., 1.5 at 55°C. amb.

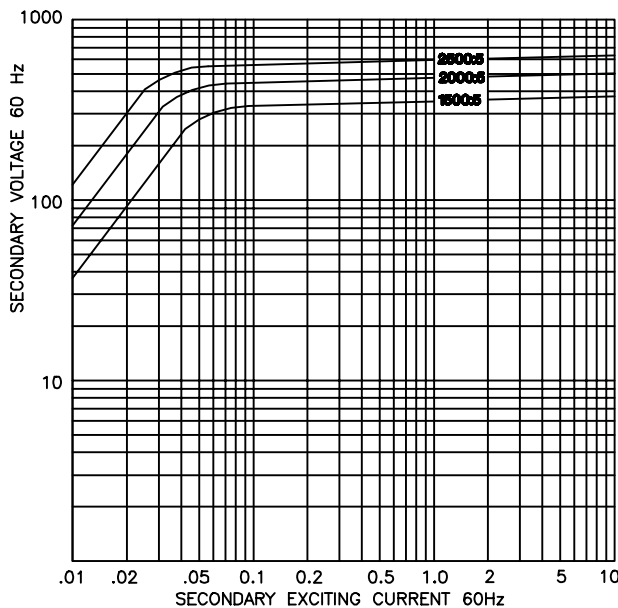
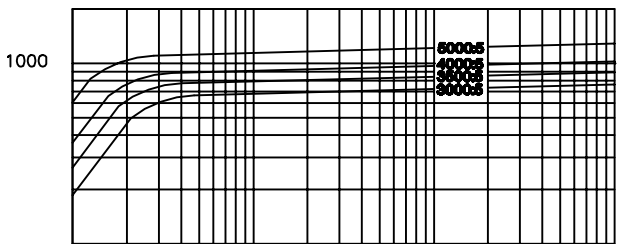
- Secondary terminals are brass screws No.10-32 with one flat-washer, lockwasher and regular nut.
- Model 726 (multi-ratios) available on request.
- Approximate weight 43 lbs.



(4) OUTER SLOTS 0.46 X 0.58  
(4) INNER SLOTS 0.46 X 0.71



EXCITATION CURVE



CATALOG NUMBER	CURRENT RATIO	RELAY CLASS	ANSI METERING CLASS AT 60 Hz					SECONDARY WINDING RESISTANCE (OHMS @ 75 °C)
			B0.1	B0.2	B0.5	B0.9	B1.8	
725-152	1500:5	C200	0.3	0.3	0.3	0.3	0.3	0.658
725-202	2000:5	C400	0.3	0.3	0.3	0.3	0.3	0.903
725-252	2500:5	C400	0.3	0.3	0.3	0.3	0.3	1.129
725-302	3000:5	C400	0.3	0.3	0.3	0.3	0.3	1.301
725-352	3500:5	C400	0.3	0.3	0.3	0.3	0.3	1.561
725-402	4000:5	C200	0.3	0.3	0.3	0.3	0.3	1.784
725-502	5000:5	C200	0.3	0.3	0.3	0.3	0.3	3.508