

CURRENT TRANSFORMER

Model 720

Window Diameters
4.00", 4.81"

APPLICATION:
Relaying and metering.

FREQUENCY:
50-400 Hz.

INSULATION LEVEL:
0.6 kV, BIL 10 kV full wave.

REGULATORY AGENCY APPROVALS



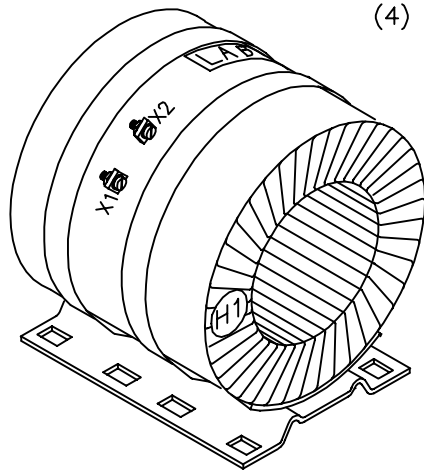
Manufactured to meet the requirements of ANSI/IEEE C57.13.
Classified by U.L. in accordance with IEC 44-1.

Approved for revenue metering by Industry Canada. T-208(*)

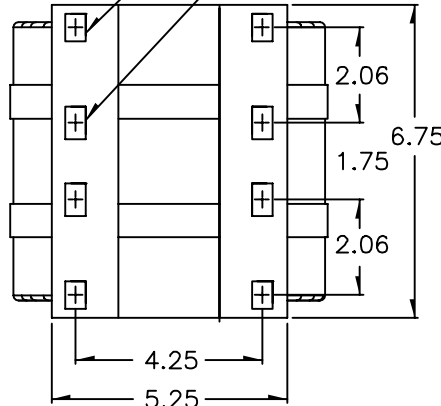
CONTINUOUS THERMAL CURRENT RATING FACTOR:

2.0 at 30°C. amb., 1.5 at 55°C. amb.

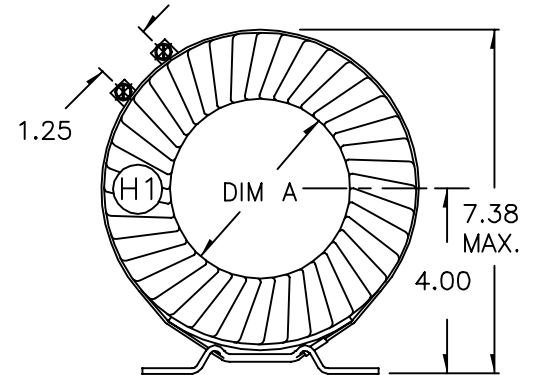
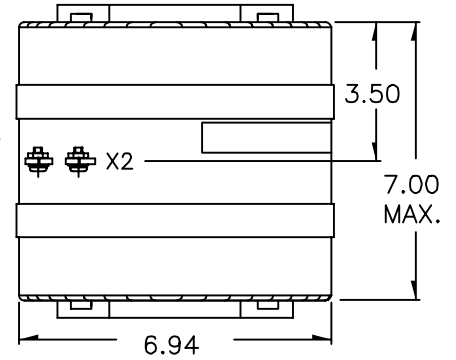
- Secondary terminals are brass screws No.10-32 with one flat-washer, lockwasher and regular nut.
- Model 721 (multi-ratios) available on request.
- Approximate weight:
50:5 thru 600:5 - 34 lbs.
750:5 thru 2000:5 - 19 lbs.



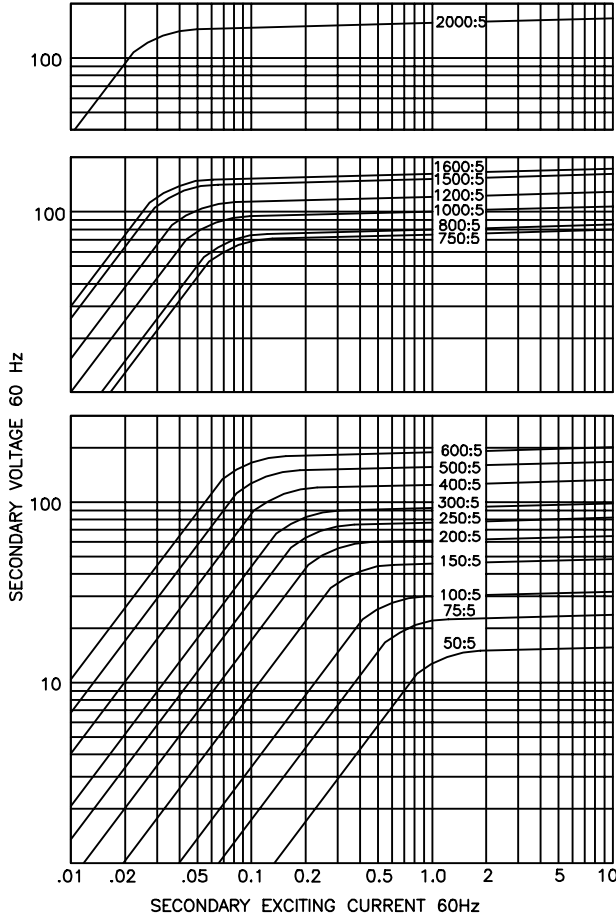
(4) OUTER SLOTS 0.46 X 0.58
(4) INNER SLOTS 0.46 X 0.71



BASEPLATE (BOTTOM VIEW)



EXCITATION CURVE



| CATALOG NUMBER | CURRENT RATIO | RELAY CLASS | ANSI METERING CLASS AT 60 Hz | | | | | SECONDARY WINDING RESISTANCE (OHMS @ 75 °C) | DIM. A |
|----------------|---------------|-------------|------------------------------|------|------|------|------|---|-----------|
| | | | B0.1 | B0.2 | B0.5 | B0.9 | B1.8 | | |
| 720-500 | 50:5 | C 10 | 1.2 | 2.4 | - | - | - | 0.022 | 4.00 MIN. |
| 720-750 | 75:5 | C 20 | 0.6 | 1.2 | - | - | - | 0.034 | |
| 720-101 | 100:5 | C 20 | 0.6 | 1.2 | 2.4 | - | - | 0.045 | |
| 720-151 | 150:5 * | C 20 | 0.6 | 0.6 | 1.2 | 1.2 | - | 0.068 | |
| 720-201 | 200:5 * | C 50 | 0.6 | 0.6 | 0.6 | 1.2 | 2.4 | 0.091 | |
| 720-251 | 250:5 * | C 50 | 0.3 | 0.3 | 0.6 | 0.6 | 1.2 | 0.113 | |
| 720-301 | 300:5 * | C 50 | 0.3 | 0.3 | 0.3 | 0.6 | 1.2 | 0.136 | |
| 720-401 | 400:5 * | C100 | 0.3 | 0.3 | 0.3 | 0.3 | 0.6 | 0.182 | |
| 720-501 | 500:5 * | C100 | 0.3 | 0.3 | 0.3 | 0.3 | 0.6 | 0.227 | |
| 720-601 | 600:5 * | C100 | 0.3 | 0.3 | 0.3 | 0.3 | 0.3 | 0.342 | |
| 720-751 | 750:5 * | C 50 | 0.3 | 0.3 | 0.3 | 0.3 | 0.3 | 0.230 | |
| 720-801 | 800:5 * | C 50 | 0.3 | 0.3 | 0.3 | 0.3 | 0.3 | 0.246 | |
| 720-102 | 1000:5 * | C 50 | 0.3 | 0.3 | 0.3 | 0.3 | 0.3 | 0.307 | 4.81 MIN. |
| 720-122 | 1200:5 * | C100 | 0.3 | 0.3 | 0.3 | 0.3 | 0.3 | 0.368 | |
| 720-152 | 1500:5 * | C100 | 0.3 | 0.3 | 0.3 | 0.3 | 0.3 | 0.576 | |
| 720-162 | 1600:5 * | C100 | 0.3 | 0.3 | 0.3 | 0.3 | 0.3 | 0.615 | |
| 720-202 | 2000:5 * | C100 | 0.3 | 0.3 | 0.3 | 0.3 | 0.3 | 1.008 | |