

CURRENT TRANSFORMER

Model 687

Window Diameter 7.62"

APPLICATION:
Relaying and metering.

FREQUENCY:
50-400 Hz.

INSULATION LEVEL:
0.6 kV, BIL 10 kV full wave.

CONTINUOUS THERMAL CURRENT RATING FACTOR:

50:5 thru 2000:5
2.0 at 30°C. amb., 1.5 at 55°C. amb.

2500:5 thru 3500:5
1.33 at 30°C. amb., 1.0 at 55°C. amb.

4000:5
1.0 at 30°C. amb., 0.75 at 55°C. amb.

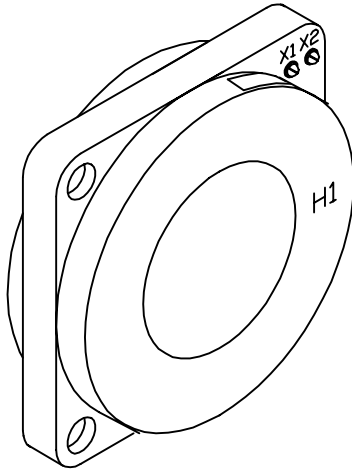
- Secondary terminals are brass screws No. 10-32 with one flatwasher and lockwasher.
- Multi-ratios available on request.
- Approximate weight 55 lbs.

REGULATORY AGENCY APPROVALS

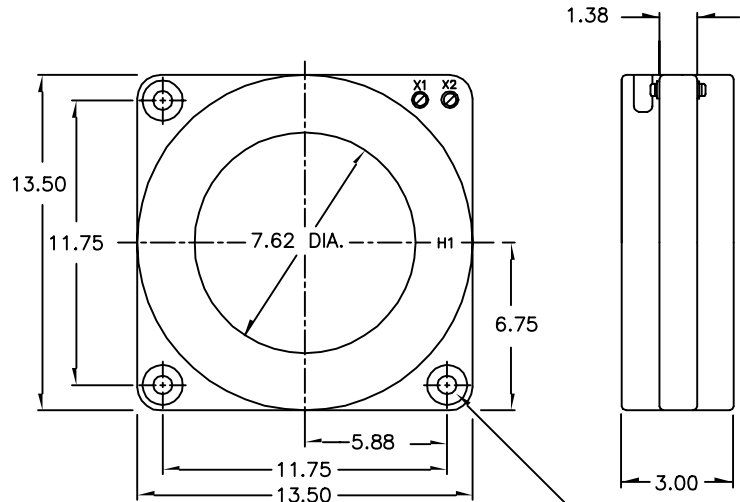


Manufactured to meet the requirements of ANSI/IEEE C57.13.
Classified by U.L. in accordance with IEC 44-1.

Approved for revenue metering by Industry Canada. AE-0645(*)

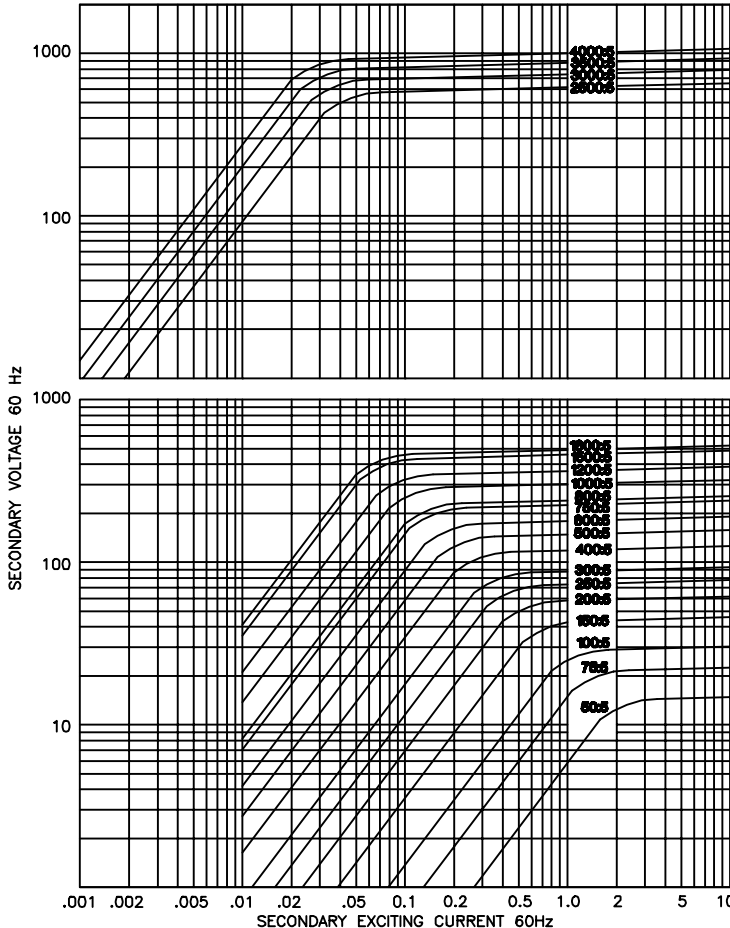


GRAY CASE



(3) MOUNTING HOLES
0.56 DIA.

EXCITATION CURVE



CATALOG NUMBER	CURRENT RATIO	MAX RELAY CLASS	ANSI METERING CLASS AT 60 Hz					D.C.R. @ 75 °C
			B0.1	B0.2	B0.5	B0.9	B1.8	
687-500	50:5	C10	4.8	--	--	--	--	0.018
687-750	75:5	C15	2.4	4.8	--	--	--	0.027
687-101	100:5	C20	2.4	2.4	4.8	--	--	0.036
687-151	150:5	C35	1.2	1.2	2.4	4.8	4.8	0.055
687-201	200:5 *	C50	0.6	1.2	1.2	2.4	4.8	0.073
687-251	250:5 *	C70	0.6	0.6	1.2	1.2	2.4	0.091
687-301	300:5 *	C90	0.3	0.6	0.6	1.2	2.4	0.109
687-351	350:5 *	C100	0.3	0.3	0.6	1.2	1.2	0.127
687-401	400:5 *	C120	0.3	0.3	0.6	0.6	1.2	0.146
687-501	500:5 *	C150	0.3	0.3	0.3	0.6	0.6	0.182
687-601	600:5 *	C200	0.3	0.3	0.3	0.6	0.6	0.218
687-751	750:5 *	C230	0.3	0.3	0.3	0.6	0.6	0.273
687-801	800:5 *	C250	0.3	0.3	0.3	0.3	0.3	0.291
687-102	1000:5 *	C300	0.3	0.3	0.3	0.3	0.3	0.446
687-122	1200:5 *	C400	0.3	0.3	0.3	0.3	0.3	0.535
687-152	1500:5 *	C440	0.3	0.3	0.3	0.3	0.3	0.669
687-162	1600:5 *	C450	0.3	0.3	0.3	0.3	0.3	0.714
687-202	2000:5 *	C450	0.3	0.3	0.3	0.3	0.3	0.832
687-252	2500:5 *	C550	0.3	0.3	0.3	0.3	0.3	1.040
687-302	3000:5 *	C700	0.3	0.3	0.3	0.3	0.3	1.248
687-352	3500:5 *	C800	0.3	0.3	0.3	0.3	0.3	1.827
687-402	4000:5 *	C800	0.3	0.3	0.3	0.3	0.3	2.617