

CURRENT TRANSFORMER

Model 685

Window Diameter 7.02"

APPLICATION:
Relaying and metering.

FREQUENCY:
50-400 Hz.

INSULATION LEVEL:
0.6 kV, BIL 10 kV full wave.

REGULATORY AGENCY APPROVALS

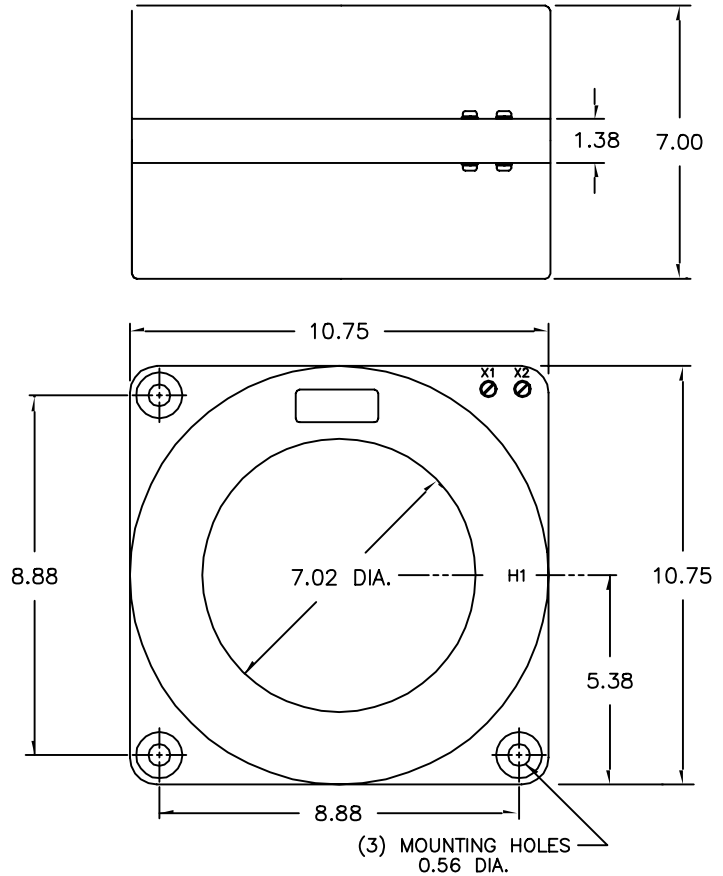
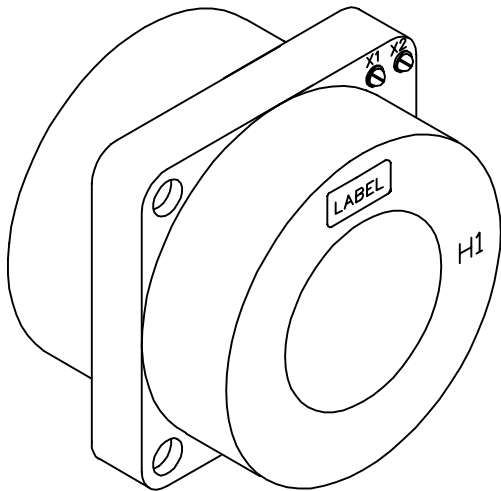


Manufactured to meet the requirements of ANSI/IEEE C57.13.
Classified by U.L. in accordance with IEC 44-1.
Approved for revenue metering by Industry Canada. AE-0643(*)

CONTINUOUS THERMAL CURRENT RATING FACTOR:

50:5 - 1500:5: 2.00 at 30°C. amb.
1.50 at 55°C. amb.
2000:5 - 4000:5: 1.33 at 30°C. amb.
1.00 at 55°C. amb.

- Secondary terminals are brass screws No. 10-32 with one flatwasher and lockwasher, accessible from either side.
- Approximate weight: 64 lbs.



CATALOG NUMBER	CURRENT RATIO	RELAY CLASS	ANSI METERING CLASS AT 60 Hz				
			B0.1	B0.2	B0.5	B0.9	B1.8
685-500	50:5	C10	4.8	4.8			
685-750	75:5	C20	2.4	2.4	4.8		
685-101	100:5	C20	1.2	2.4	2.4	4.8	
685-151	150:5 *	C20	0.6	1.2	1.2	2.4	4.8
685-201	200:5 *	C50	0.6	0.6	1.2	1.2	2.4
685-251	250:5 *	C50	0.3	0.6	0.6	1.2	2.4
685-301	300:5 *	C100	0.3	0.3	0.6	0.6	1.2
685-401	400:5 *	C100	0.3	0.3	0.3	0.6	0.6
685-501	500:5 *	C100	0.3	0.3	0.3	0.3	0.6
685-601	600:5 *	C200	0.3	0.3	0.3	0.3	0.3
685-801	800:5 *	C200	0.3	0.3	0.3	0.3	0.3
685-102	1000:5 *	C200	0.3	0.3	0.3	0.3	0.3
685-122	1200:5 *	C400	0.3	0.3	0.3	0.3	0.3
685-152	1500:5 *	C400	0.3	0.3	0.3	0.3	0.3
685-202	2000:5 *	C400	0.3	0.3	0.3	0.3	0.3
685-252	2500:5 *	C400	0.3	0.3	0.3	0.3	0.3
685-302	3000:5 *	C400	0.3	0.3	0.3	0.3	0.3
685-402	4000:5 *	C400	0.3	0.3	0.3	0.3	0.3

TYPICAL EXCITATION CURVE - MODEL 685

