

# CURRENT TRANSFORMER

Model 682

Window Diameter 7.62"

**APPLICATION:**  
Relaying and metering.

**FREQUENCY:**  
50-400 Hz.

**INSULATION LEVEL:**  
0.6 kV, BIL 10 kV full wave.

**CONTINUOUS THERMAL CURRENT RATING FACTOR:**

50:5 thru 2000:5  
2.0 at 30°C. amb., 1.5 at 55°C. amb.  
2500:5 thru 3500:5  
1.33 at 30°C. amb., 1.0 at 55°C. amb.  
4000:5  
1.0 at 30°C. amb., 0.75 at 55°C. amb.

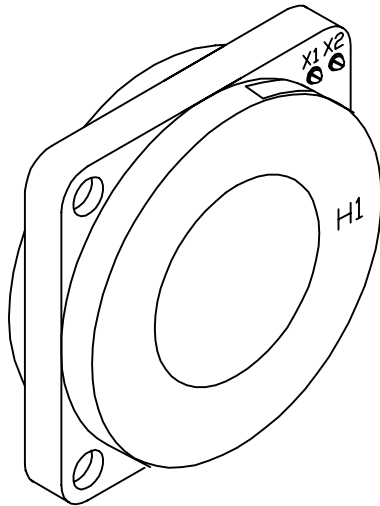
REGULATORY AGENCY APPROVALS



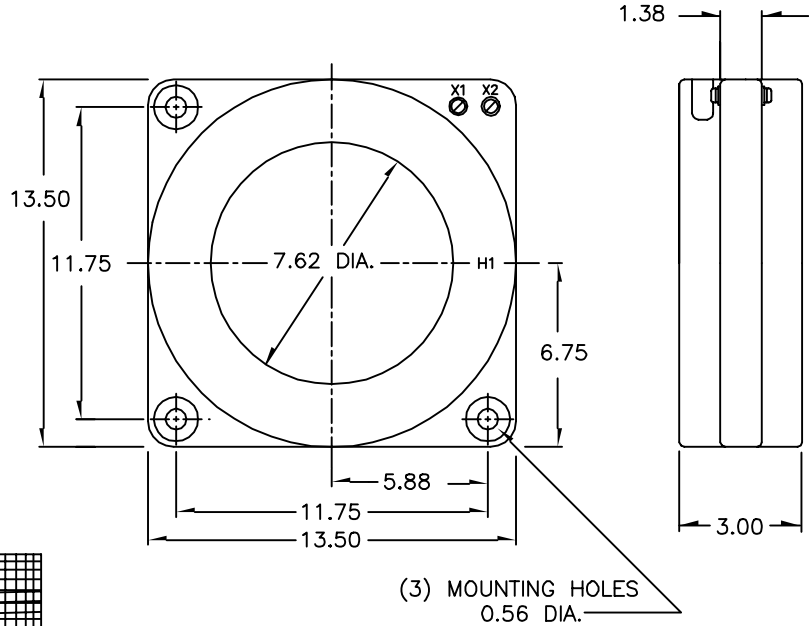
Manufactured to meet the requirements of ANSI/IEEE C57.13.  
Classified by U.L. in accordance with IEC 44-1.

Approved for revenue metering by Industry Canada. AE-0646(\*)

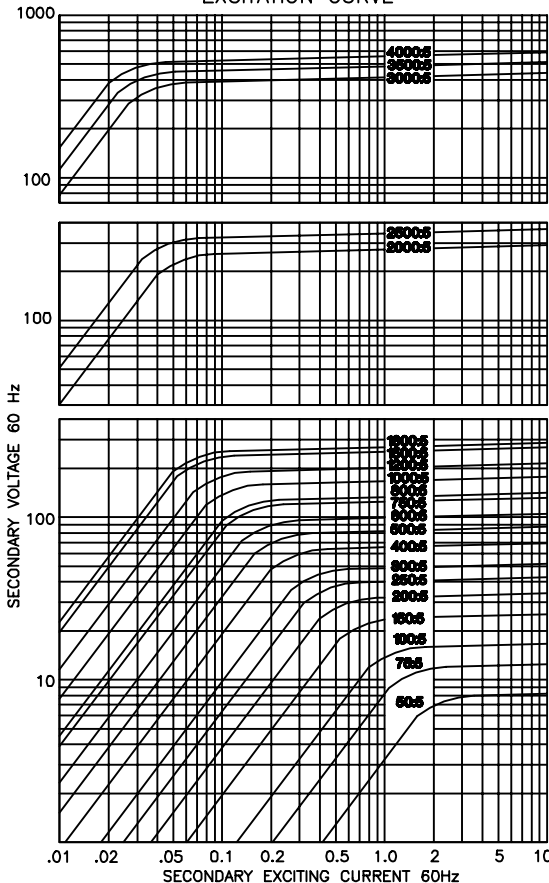
- Secondary terminals are brass screws No. 10-32 with one flatwasher and lockwasher.
- Multi-ratios available on request.
- Approximate weight 30 lbs.



**BLACK CASE**



EXCITATION CURVE



CATALOG NUMBER	CURRENT RATIO	ANSI RELAY CLASS	ANSI METERING CLASS AT 60 Hz					D.C.R. @ 75°C
			B0.1	B0.2	B0.5	B0.9	B1.8	
682-500	50:5	C5	4.8	--	--	--	--	0.014
682-750	75:5	C10	2.4	4.8	--	--	--	0.020
682-101	100:5	C10	2.4	4.8	--	--	--	0.027
682-151	150:5 *	C20	0.6	1.2	2.4	--	--	0.044
682-201	200:5 *	C25	0.6	1.2	2.4	--	--	0.071
682-251	250:5 *	C35	0.6	0.6	1.2	2.4	--	0.089
682-301	300:5 *	C40	0.6	0.6	1.2	1.2	2.4	0.106
682-351	350:5 *	C55	0.3	0.6	0.6	1.2	2.4	0.124
682-401	400:5 *	C60	0.3	0.6	0.6	1.2	1.2	0.142
682-501	500:5 *	C75	0.3	0.3	0.3	0.6	1.2	0.177
682-601	600:5 *	C100	0.3	0.3	0.3	0.6	1.2	0.212
682-751	750:5 *	C100	0.3	0.3	0.3	0.6	0.6	0.266
682-801	800:5 *	C130	0.3	0.3	0.3	0.6	0.6	0.283
682-102	1000:5 *	C170	0.3	0.3	0.3	0.3	0.3	0.354
682-122	1200:5 *	C200	0.3	0.3	0.3	0.3	0.3	0.425
682-152	1500:5 *	C200	0.3	0.3	0.3	0.3	0.3	0.531
682-162	1600:5 *	C200	0.3	0.3	0.3	0.3	0.3	0.567
682-202	2000:5 *	C210	0.3	0.3	0.3	0.3	0.3	0.648
682-252	2500:5 *	C300	0.3	0.3	0.3	0.3	0.3	0.810
682-302	3000:5 *	C300	0.3	0.3	0.3	0.3	0.3	0.938
682-352	3500:5 *	C300	0.3	0.3	0.3	0.3	0.3	1.371
682-402	4000:5 *	C300	0.3	0.3	0.3	0.3	0.3	1.962