

CURRENT TRANSFORMER

Model 680

Window Diameter 7.02"

APPLICATION:
Relaying and metering.

FREQUENCY:
50-400 Hz.

INSULATION LEVEL:
0.6 kV, BIL 10 kV full wave.

CONTINUOUS THERMAL CURRENT RATING FACTOR:

50:5 - 2000:5: 2.00 at 30°C. ambient.
1.50 at 55°C. ambient.
2500:5 - 4000:5: 1.33 at 30°C. ambient.
1.00 at 55°C. ambient.
5000:5: 1.00 at 30°C. ambient.
0.75 at 55°C. ambient.

REGULATORY AGENCY APPROVALS

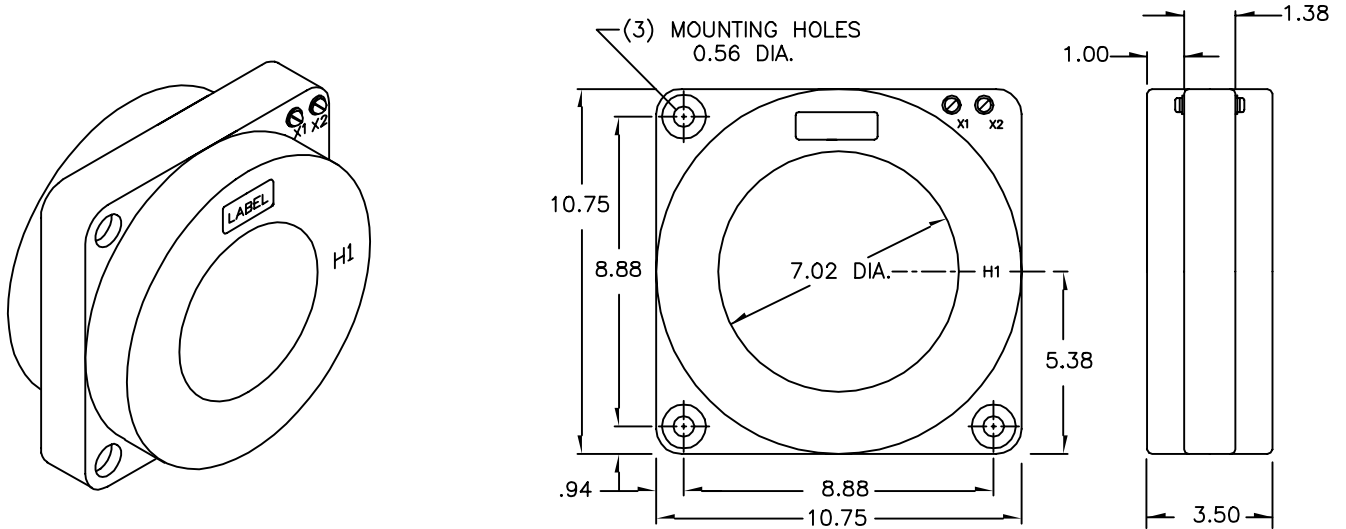


Manufactured to meet the requirements of ANSI/IEEE C57.13.
Classified by U.L. in accordance with IEC 44-1.

Approved for revenue metering by Industry Canada. AE-0644(*)

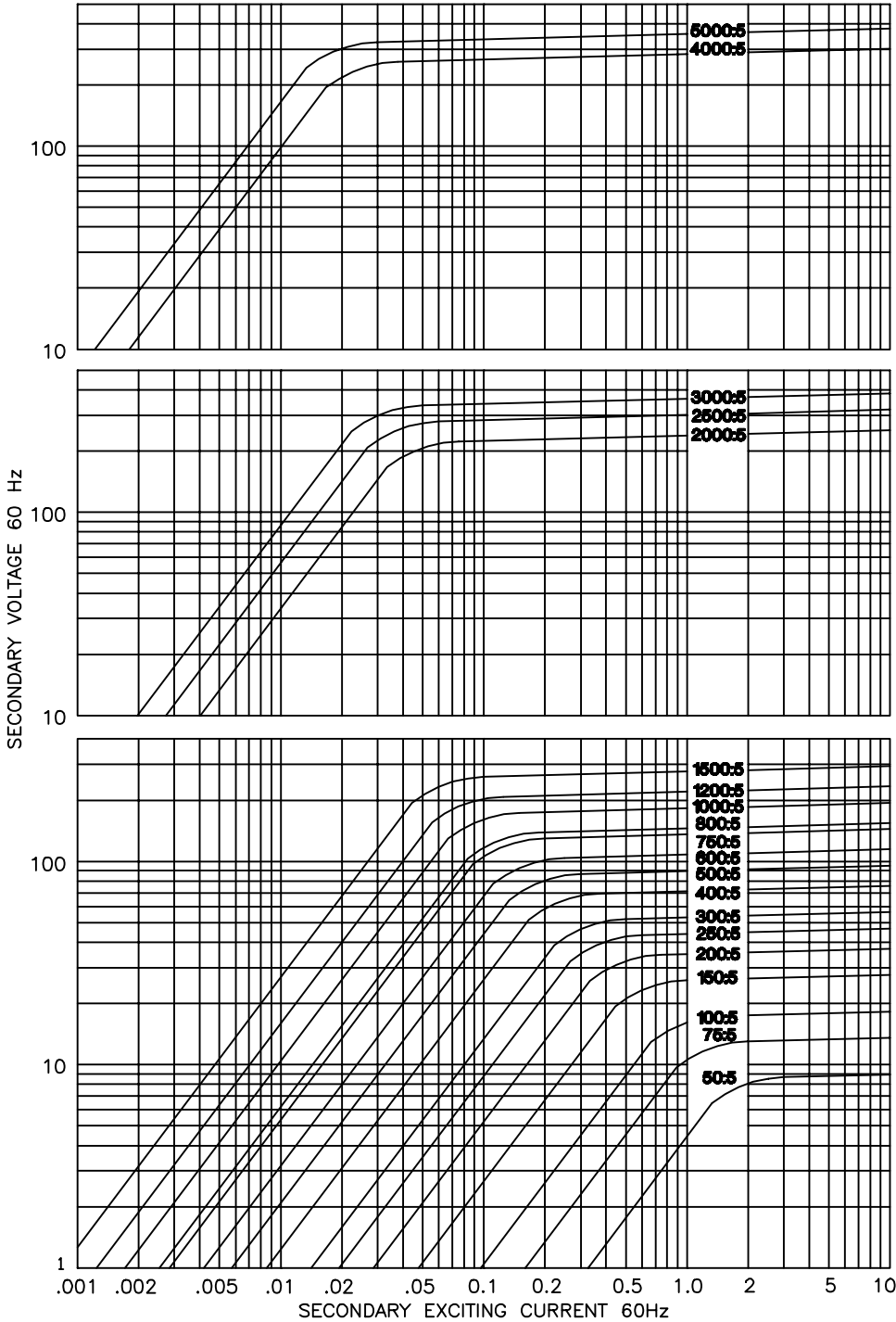
- Secondary terminals are brass screws No. 10-32 with one flatwasher and lockwasher, accessible from either side.

- Approximate weight 34 lbs.



CATALOG NUMBER	CURRENT RATIO	RELAY CLASS	ANSI METERING CLASS AT 60 Hz				
			B0.1	B0.2	B0.5	B0.9	B1.8
680-500	50:5	-	4.8	4.8	-	-	-
680-750	75:5	C 10	1.2	2.4	-	-	-
680-101	100:5	C 10	1.2	1.2	4.8	-	-
680-151	150:5 *	C 20	0.6	1.2	2.4	4.8	4.8
680-201	200:5 *	C 20	0.6	0.6	1.2	2.4	4.8
680-251	250:5 *	C 20	0.3	0.6	1.2	1.2	2.4
680-301	300:5 *	C 20	0.3	0.3	0.6	1.2	2.4
680-401	400:5 *	C 50	0.3	0.3	0.6	0.6	1.2
680-501	500:5 *	C 50	0.3	0.3	0.3	0.6	0.6
680-601	600:5 *	C100	0.3	0.3	0.3	0.6	1.2
680-751	750:5 *	C100	0.3	0.3	0.3	0.6	0.6
680-801	800:5 *	C100	0.3	0.3	0.3	0.6	0.6
680-102	1000:5 *	C100	0.3	0.3	0.3	0.3	0.3
680-122	1200:5 *	C200	0.3	0.3	0.3	0.3	0.3
680-152	1500:5 *	C200	0.3	0.3	0.3	0.3	0.3
680-202	2000:5 *	C200	0.3	0.3	0.3	0.3	0.3
680-252	2500:5 *	C200	0.3	0.3	0.3	0.3	0.3
680-302	3000:5 *	C200	0.3	0.3	0.3	0.3	0.3
680-402	4000:5 *	C200	0.3	0.3	0.3	0.3	0.3
680-502	5000:5 *	C200	0.3	0.3	0.3	0.3	0.3

TYPICAL EXCITATION CURVE - MODEL 680



CURRENT RATIO	SECONDARY WINDING RESISTANCE (OHMS @ 75°C)
50:5	0.016
75:5	0.023
100:5	0.031
150:5	0.047
200:5	0.065
250:5	0.082
300:5	0.098
400:5	0.131
500:5	0.164
600:5	0.196
750:5	0.245
800:5	0.262
1000:5	0.327
1200:5	0.393
1500:5	0.491
2000:5	0.598
2500:5	0.748
3000:5	0.898
4000:5	1.076
5000:5	1.678