

# CURRENT TRANSFORMER

Model 650

Window Diameter 4.00"

**APPLICATION:**  
Relaying and metering.

**FREQUENCY:**  
50-400 Hz.

**INSULATION LEVEL:**  
0.6 kV, BIL 10 kV full wave.

REGULATORY AGENCY APPROVALS

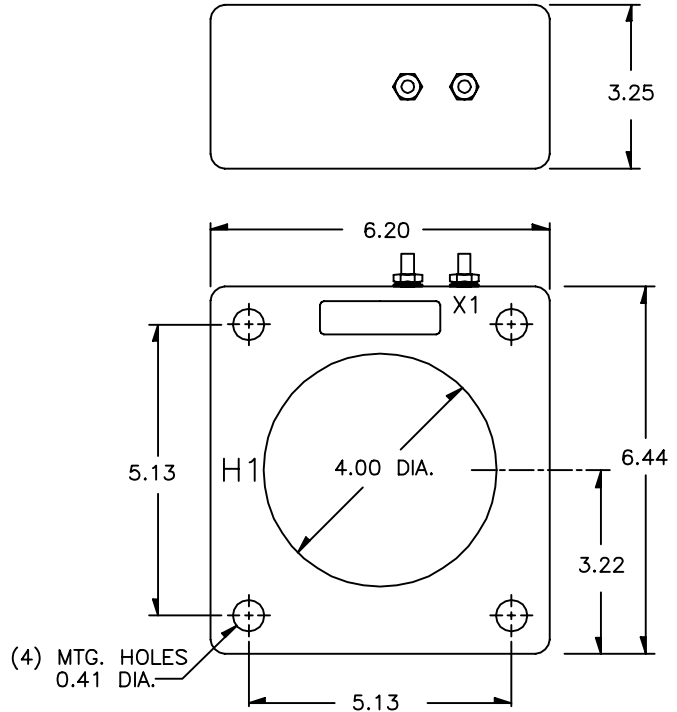
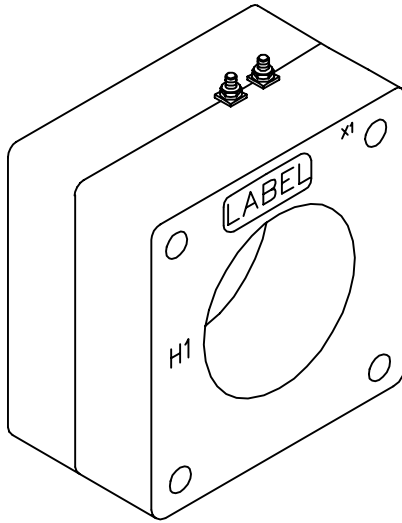


Manufactured to meet the requirements of ANSI/IEEE C57.13.  
Classified by U.L. in accordance with IEC 44-1.

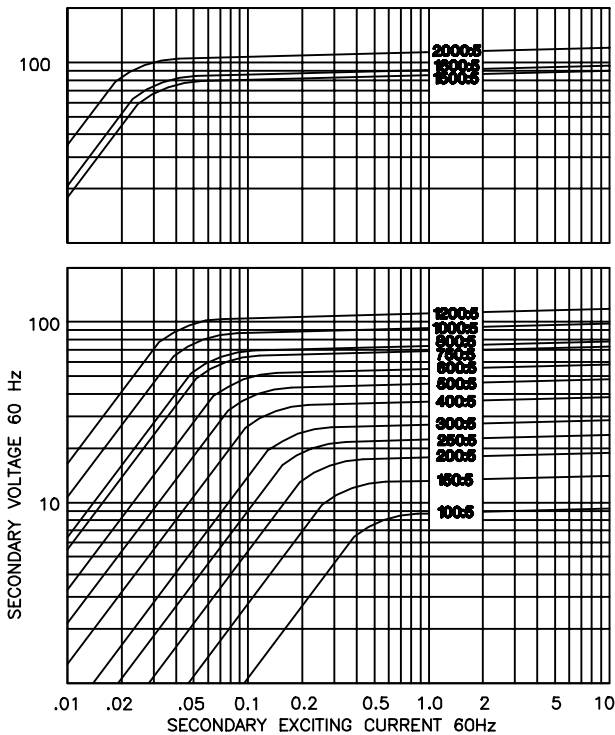
**CONTINUOUS THERMAL CURRENT RATING FACTOR:**  
1.33 at 30°C. amb., 1.0 at 55°C. amb.

• Secondary terminals are No. 8-32 brass studs with one flatwasher, lockwasher and regular nut.

• Approximate weight 9 lbs.



EXCITATION CURVE



CATALOG NUMBER	CURRENT RATIO	RELAY CLASS	ANSI METERING CLASS AT 60 Hz					SECONDARY WINDING RESISTANCE (OHMS @ 75 °C)
			B0.1	B0.2	B0.5	B0.9	B1.8	
650-101	100:5	C 7	1.2	2.4	-	-	-	0.054
650-151	150:5	C 10	0.6	1.2	2.4	-	-	0.085
650-201	200:5	C 15	0.6	0.6	1.2	2.4	-	0.113
650-251	250:5	C 20	0.3	0.6	0.6	1.2	2.4	0.142
650-301	300:5	C 25	0.3	0.3	0.6	1.2	2.4	0.170
650-401	400:5	C 35	0.3	0.3	0.3	0.6	1.2	0.227
650-501	500:5	C 45	0.3	0.3	0.3	0.3	0.6	0.283
650-601	600:5	C 50	0.3	0.3	0.3	0.3	0.3	0.340
650-751	750:5	C 60	0.3	0.3	0.3	0.3	0.3	0.425
650-801	800:5	C 70	0.3	0.3	0.3	0.3	0.3	0.360
650-102	1000:5	C 80	0.3	0.3	0.3	0.3	0.3	0.450
650-122	1200:5	C 50	0.3	0.3	0.3	0.3	0.3	0.680
650-152	1500:5	C 20	0.3	0.3	0.3	0.3	0.3	0.487
650-162	1600:5	C 20	0.3	0.3	0.3	0.3	0.3	0.519
650-202	2000:5	C 20	0.3	0.3	0.3	0.3	0.3	0.649