

# CURRENT TRANSFORMER

Model 625

Window Diameter 6.50"

**APPLICATION:**  
Relaying and metering.

**FREQUENCY:**  
50-400 Hz.

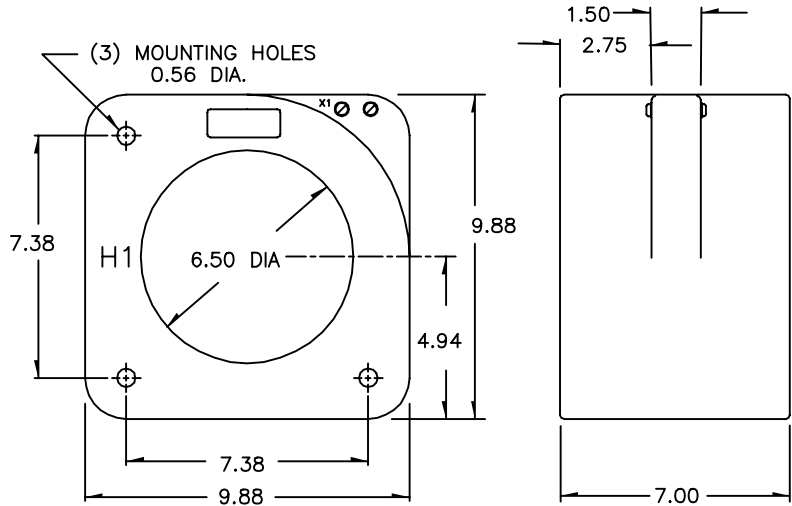
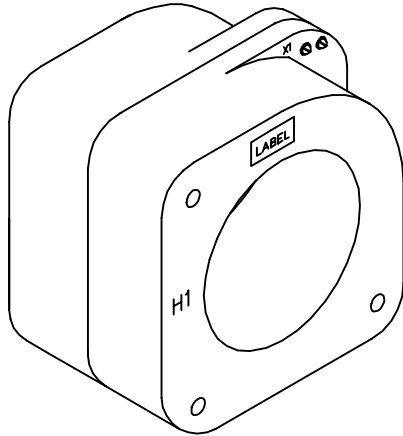
**INSULATION LEVEL:**  
0.6 kV, BIL 10 kV full wave.  
REGULATORY AGENCY APPROVALS



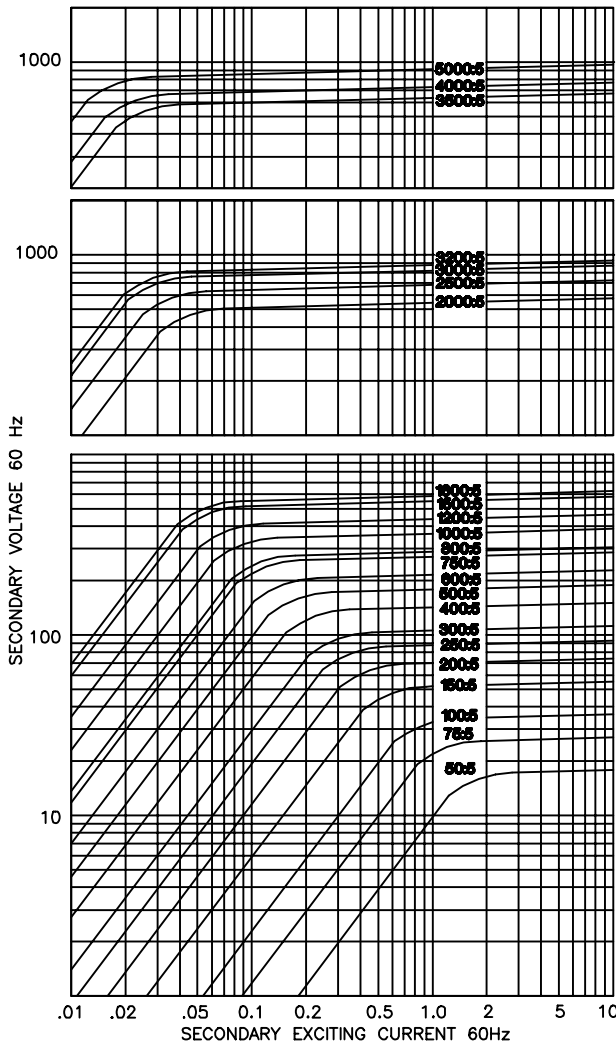
Manufactured to meet the requirements of ANSI/IEEE C57.13.  
Classified by U.L. in accordance with IEC 44-1.

**CONTINUOUS THERMAL CURRENT RATING FACTOR:**  
1.33 at 30°C. amb., 1.0 at 55°C. amb.

- Secondary terminals are brass screws No. 10-32 with one flatwasher and lockwasher, accessible from either side.
- Multi-ratios available on request.
- Approximate weight 51 lbs.



EXCITATION CURVE



CATALOG NUMBER	CURRENT RATIO	RELAY CLASS	ANSI METERING CLASS AT 60 Hz					SECONDARY WINDING RESISTANCE (OHMS @ 75 °C)
			B0.1	B0.2	B0.5	B0.9	B1.8	
625-500	50:5	C 10	4.8	4.8	-	-	-	0.029
625-750	75:5	C 20	2.4	2.4	4.8	-	-	0.044
625-101	100:5	C 20	1.2	2.4	4.8	4.8	-	0.058
625-151	150:5	C 50	0.6	1.2	2.4	2.4	4.8	0.090
625-201	200:5	C 50	0.3	0.6	1.2	1.2	2.4	0.119
625-251	250:5	C 50	0.3	0.3	0.6	1.2	2.4	0.149
625-301	300:5	C100	0.3	0.3	0.6	0.6	1.2	0.179
625-401	400:5	C100	0.3	0.3	0.3	0.6	0.6	0.239
625-501	500:5	C100	0.3	0.3	0.3	0.3	0.6	0.299
625-601	600:5	C200	0.3	0.3	0.3	0.3	0.6	0.358
625-751	750:5	C200	0.3	0.3	0.3	0.3	0.3	0.448
625-801	800:5	C200	0.3	0.3	0.3	0.3	0.3	0.478
625-102	1000:5	C200	0.3	0.3	0.3	0.3	0.3	0.597
625-122	1200:5	C400	0.3	0.3	0.3	0.3	0.3	0.717
625-152	1500:5	C400	0.3	0.3	0.3	0.3	0.3	1.128
625-162	1600:5	C400	0.3	0.3	0.3	0.3	0.3	1.203
625-202	2000:5	C400	0.3	0.3	0.3	0.3	0.3	1.144
625-252	2500:5	C400	0.3	0.3	0.3	0.3	0.3	1.429
625-302	3000:5	C400	0.3	0.3	0.3	0.3	0.3	1.715
625-322	3200:5	C400	0.3	0.3	0.3	0.3	0.3	2.300
625-352	3500:5	C400	0.3	0.3	0.3	0.3	0.3	1.912
625-402	4000:5	C400	0.3	0.3	0.3	0.3	0.3	2.185
625-502	5000:5	C400	0.3	0.3	0.3	0.3	0.3	3.428