

# CURRENT TRANSFORMER

**APPLICATION:**  
Relaying and metering.

**FREQUENCY:**  
50-400 Hz.

**CONTINUOUS THERMAL CURRENT RATING FACTOR:**  
1.33 at 30°C. amb., 1.0 at 55°C. amb.

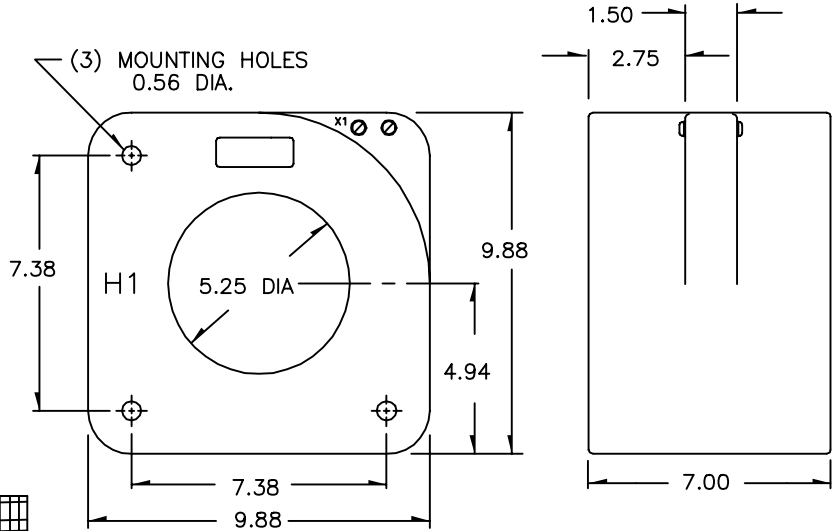
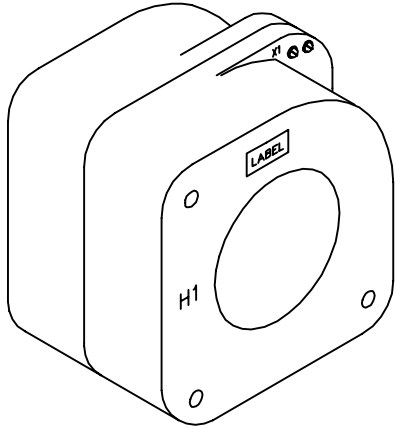
**Model 624** **INSULATION LEVEL:**  
0.6 kV, BIL 10 kV full wave.  
REGULATORY AGENCY APPROVALS

*Window Diameter 5.25"*

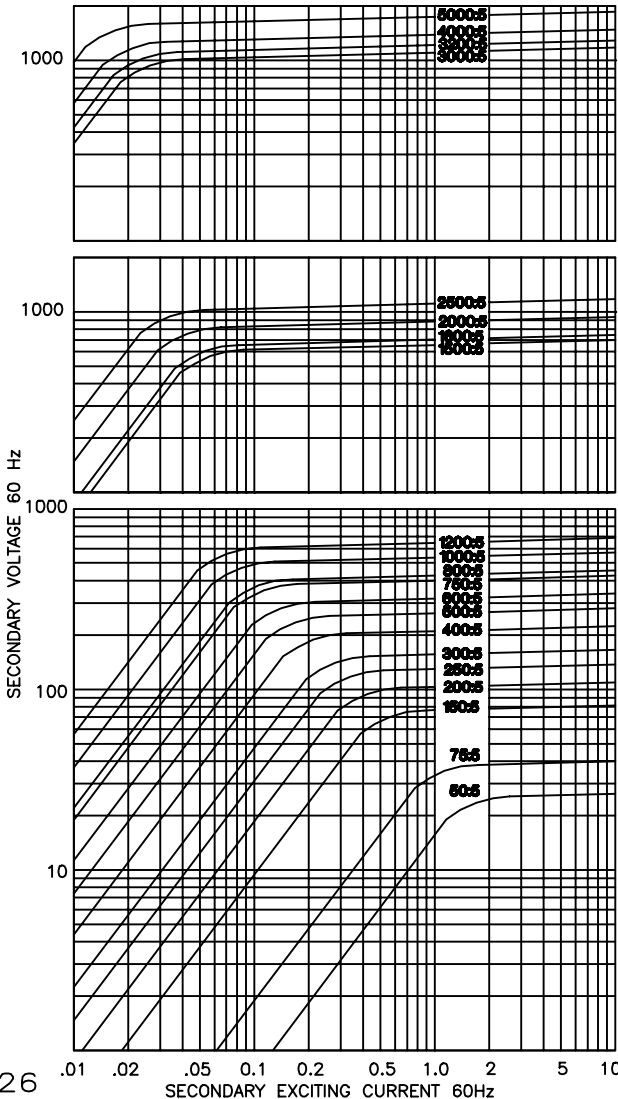


Manufactured to meet the requirements of ANSI/IEEE C57.13.  
Classified by U.L. in accordance with IEC 44-1.

- Secondary terminals are brass screws No. 10-32 with one flatwasher and lockwasher, accessible from either side.
- Multi-ratios available on request.
- Approximate weight 68 lbs.



EXCITATION CURVE



CATALOG NUMBER	CURRENT RATIO	RELAY CLASS	ANSI METERING CLASS AT 60 Hz					SECONDARY WINDING RESISTANCE (OHMS @ 75 °C)
			B0.1	B0.2	B0.5	B0.9	B1.8	
624-500	50:5	C 20	2.4	4.8	-	-	-	0.031
624-750	75:5	C 20	1.2	2.4	4.8	4.8	-	0.047
624-101	100:5	C 50	0.6	1.2	2.4	4.8	4.8	0.062
624-151	150:5	C 50	0.6	0.6	1.2	2.4	4.8	0.096
624-201	200:5	C100	0.3	0.6	1.2	1.2	2.4	0.127
624-251	250:5	C100	0.3	0.6	0.6	1.2	2.4	0.159
624-301	300:5	C100	0.3	0.3	0.6	0.6	1.2	0.191
624-401	400:5	C200	0.3	0.3	0.3	0.3	0.6	0.255
624-501	500:5	C200	0.3	0.3	0.3	0.3	0.6	0.319
624-601	600:5	C200	0.3	0.3	0.3	0.3	0.3	0.382
624-751	750:5	C200	0.3	0.3	0.3	0.3	0.3	0.478
624-801	800:5	C200	0.3	0.3	0.3	0.3	0.3	0.510
624-102	1000:5	C400	0.3	0.3	0.3	0.3	0.3	0.637
624-122	1200:5	C400	0.3	0.3	0.3	0.3	0.3	0.765
624-152	1500:5	C400	0.3	0.3	0.3	0.3	0.3	0.918
624-162	1600:5	C400	0.3	0.3	0.3	0.3	0.3	0.979
624-202	2000:5	C400	0.3	0.3	0.3	0.3	0.3	1.224
624-252	2500:5	C800	0.3	0.3	0.3	0.3	0.3	1.529
624-302	3000:5	C800	0.3	0.3	0.3	0.3	0.3	1.702
624-322	3200:5	C800	0.3	0.3	0.3	0.3	0.3	1.912
624-402	4000:5	C800	0.3	0.3	0.3	0.3	0.3	2.185
624-502	5000:5	C800	0.3	0.3	0.3	0.3	0.3	3.428