

CURRENT TRANSFORMER

Model 622

Window Diameter 5.25"

APPLICATION:
Relaying and metering.

FREQUENCY:
50-400 Hz.

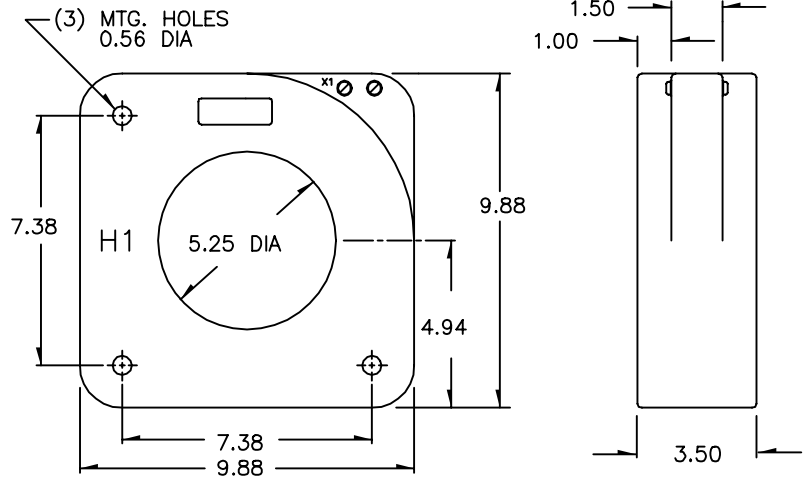
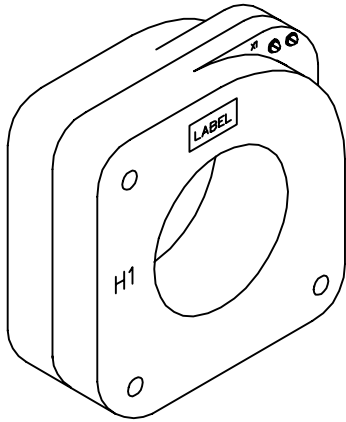
INSULATION LEVEL:
0.6 kV, BIL 10 kV full wave.
REGULATORY AGENCY APPROVALS



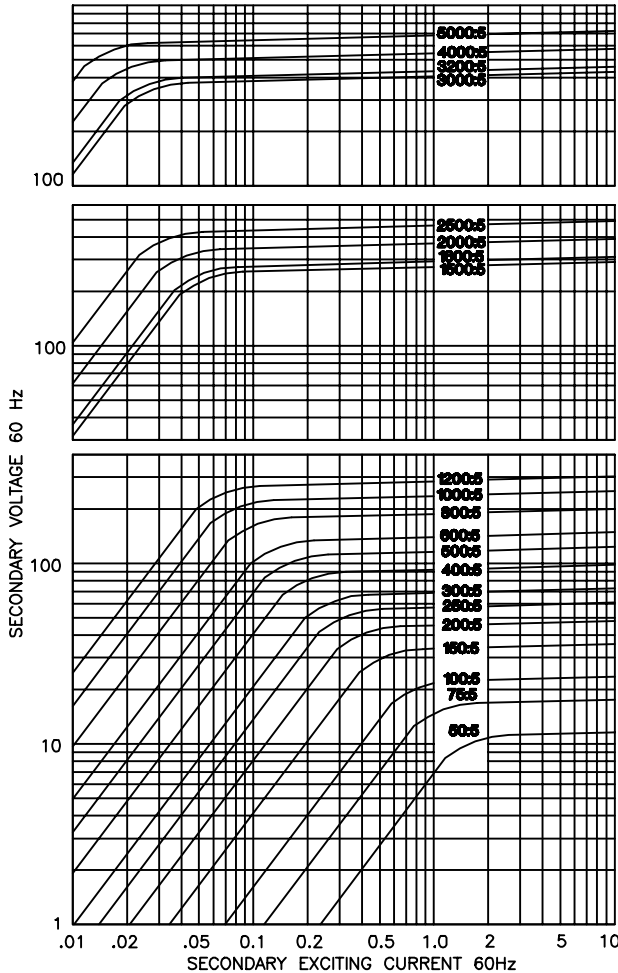
Manufactured to meet the requirements of ANSI/IEEE C57.13.
Classified by U.L. in accordance with IEC 44-1.

CONTINUOUS THERMAL CURRENT RATING FACTOR:
1.33 at 30°C. amb., 1.0 at 55°C. amb.

- Secondary terminals are brass screws No. 10-32 with one flatwasher and lockwasher, accessible from either side.
- Multi-ratios available on request.
- Approximate weight 31 lbs.



EXCITATION CURVE



CATALOG NUMBER	CURRENT RATIO	RELAY CLASS	ANSI METERING CLASS AT 60 Hz					SECONDARY WINDING RESISTANCE (OHMS @ 75°C)
			B0.1	B0.2	B0.5	B0.9	B1.8	
622-500	50:5	C 10	2.4	4.8	-	-	-	0.017
622-750	75:5	C 10	1.2	2.4	4.8	-	-	0.026
622-101	100:5	C 20	0.6	1.2	4.8	4.8	-	0.034
622-151	150:5	C 20	0.6	0.6	1.2	2.4	4.8	0.054
622-201	200:5	C 50	0.3	0.3	0.6	1.2	2.4	0.071
622-251	250:5	C 50	0.3	0.3	0.6	0.6	1.2	0.089
622-301	300:5	C 50	0.3	0.3	0.6	0.6	1.2	0.107
622-401	400:5	C100	0.3	0.3	0.3	0.6	0.6	0.143
622-501	500:5	C100	0.3	0.3	0.3	0.6	0.6	0.179
622-601	600:5	C100	0.3	0.3	0.3	0.3	0.3	0.214
622-801	800:5	C200	0.3	0.3	0.3	0.3	0.3	0.286
622-102	1000:5	C200	0.3	0.3	0.3	0.3	0.3	0.357
622-122	1200:5	C200	0.3	0.3	0.3	0.3	0.3	0.429
622-152	1500:5	C200	0.3	0.3	0.3	0.3	0.3	0.497
622-162	1600:5	C200	0.3	0.3	0.3	0.3	0.3	0.531
622-202	2000:5	C200	0.3	0.3	0.3	0.3	0.3	0.663
622-252	2500:5	C400	0.3	0.3	0.3	0.3	0.3	0.829
622-302	3000:5	C400	0.3	0.3	0.3	0.3	0.3	0.919
622-322	3200:5	C400	0.3	0.3	0.3	0.3	0.3	0.980
622-402	4000:5	C400	0.3	0.3	0.3	0.3	0.3	1.531
622-502	5000:5	C400	0.3	0.3	0.3	0.3	0.3	1.999