

CURRENT TRANSFORMER

Model 365

Window Diameter 6.41"

APPLICATION:
Metering.

FREQUENCY:
50-400 Hz.

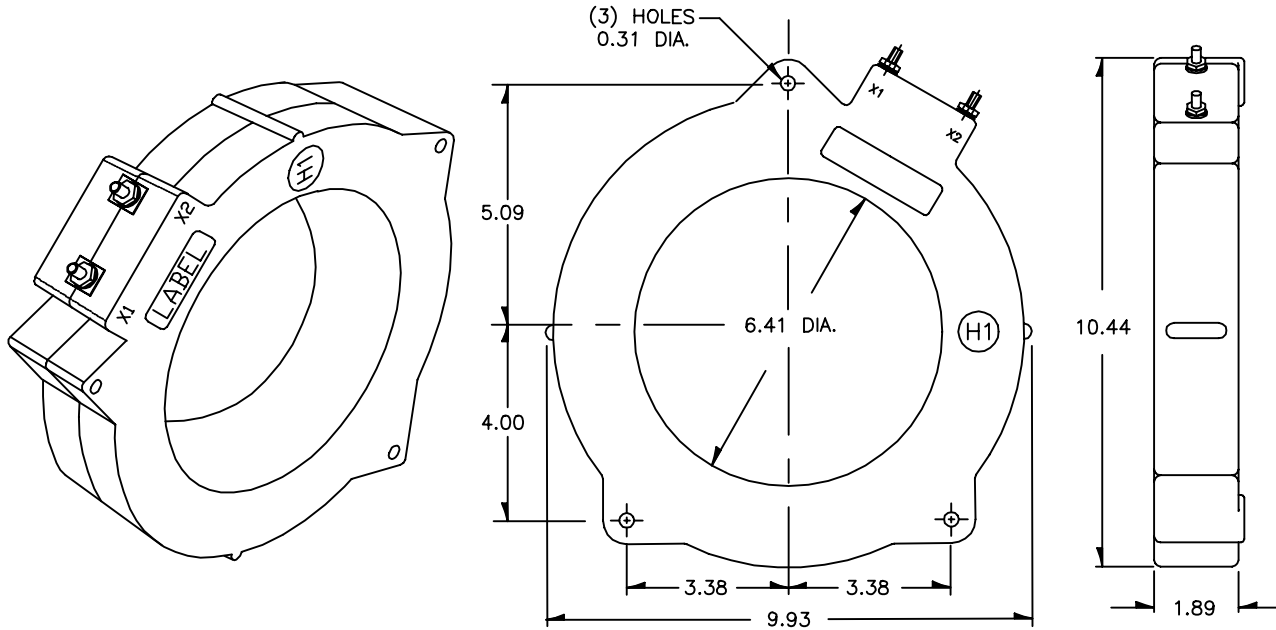
INSULATION LEVEL:
0.6 kV, BIL 10 kV full wave.
REGULATORY AGENCY APPROVALS



Manufactured to meet the requirements of ANSI/IEEE C57.13.
Classified by U.L. in accordance with IEC 44-1.
Approved for revenue metering by Industry Canada. AE-0655

CONTINUOUS THERMAL CURRENT RATING FACTOR:
1.33 at 30°C. amb., 1.0 at 55°C. amb.

- Secondary terminals are No. 8-32 brass studs with one flatwasher, lockwasher and regular nut.
- Approximate weight 6 lbs.



CATALOG NUMBER	CURRENT RATIO AMPERES	ANSI METERING CLASS AT 60 Hz				
		B0.1	B0.2	B0.5	B0.9	B1.8
365-252	2500:5	0.3	0.3	0.3	0.3	0.3
365-302	3000:5	0.3	0.3	0.3	0.3	0.3
365-322	3200:5	0.3	0.3	0.3	0.3	0.3
365-352	3500:5	0.3	0.3	0.3	0.3	0.3
365-402	4000:5	0.3	0.3	0.3	0.3	0.3
365-502	5000:5	0.3	0.3	0.3	0.3	0.3
365-602	6000:5	0.3	0.3	0.3	0.3	0.3

TYPICAL EXCITATION CURVE - MODEL 365

