

CURRENT TRANSFORMER

Model 360

Window Diameter 6.31"

APPLICATION:
Metering.

FREQUENCY:
50-400 Hz.

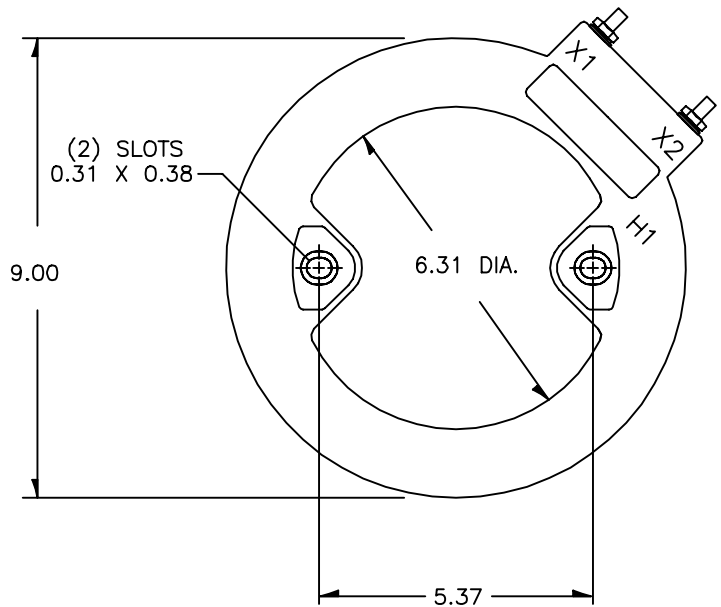
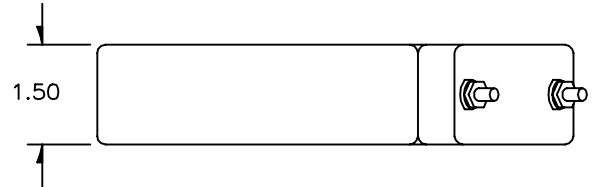
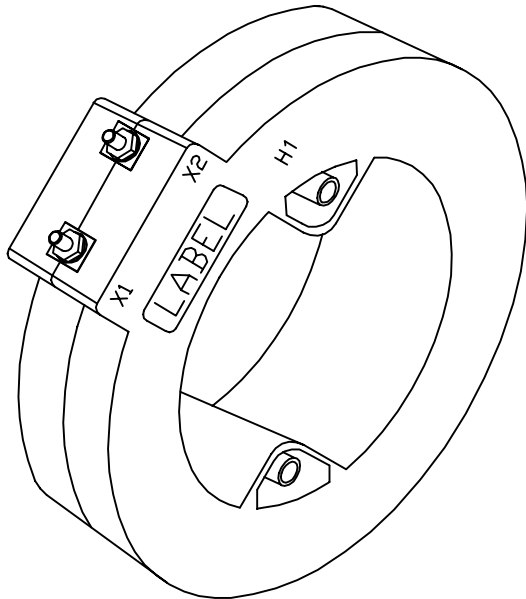
INSULATION LEVEL:
0.6 kV, BIL 10 kV full wave.
REGULATORY AGENCY APPROVALS



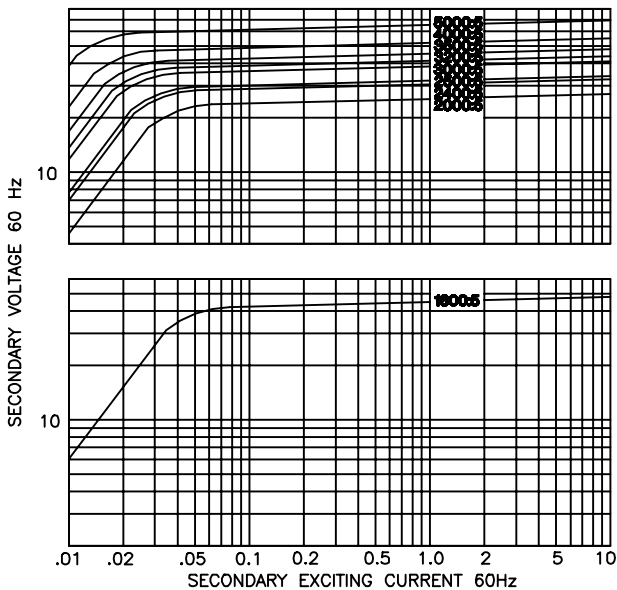
Manufactured to meet the requirements of ANSI/IEEE C57.13.
Classified by U.L. in accordance with IEC 44-1.
Approved for revenue metering by Industry Canada. AE-0654(*)

CONTINUOUS THERMAL CURRENT RATING FACTOR:
1.33 at 30°C amb., 1.0 at 55°C amb.

- Secondary terminals are No. 8-32 brass studs with one flatwasher, lockwasher and regular nut.
- Approximate weight 6 lbs.



EXCITATION CURVE



CATALOG NUMBER	CURRENT RATIO	VA FOR 1% CLASS	ANSI METERING CLASS AT 60 Hz					SECONDARY WINDING RESISTANCE (OHMS @ 75 °C)
			B0.1	B0.2	B0.5	B0.9	B1.8	
360-162	1600:5	55	0.3	0.3	0.3	0.3	0.3	0.345
360-202	2000:5	60	0.3	0.3	0.3	0.3	0.3	0.334
360-242	2400:5 *	60	0.3	0.3	0.3	0.3	0.3	0.413
360-252	2500:5 *	65	0.3	0.3	0.3	0.3	0.3	0.430
360-302	3000:5 *	80	0.3	0.3	0.3	0.3	0.3	0.516
360-322	3200:5 *	90	0.3	0.3	0.3	0.3	0.3	0.550
360-352	3500:5 *	100	0.3	0.3	0.3	0.3	0.3	0.602
360-402	4000:5 *	110	0.3	0.3	0.3	0.3	0.3	0.769
360-502	5000:5 *	120	0.3	0.3	0.3	0.3	0.3	1.190