

# CURRENT TRANSFORMER

Model 354R

Window Diameter 3.80"

**APPLICATION:**  
Relaying and metering.

**FREQUENCY:**  
50-400 Hz.

**INSULATION LEVEL:**  
0.6 kV, BIL 10 kV full wave.

REGULATORY AGENCY APPROVALS

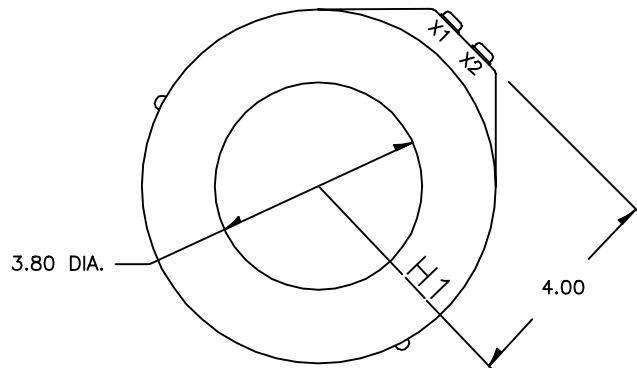
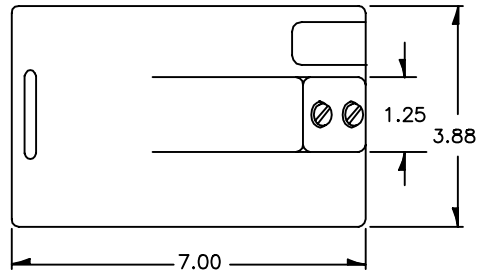
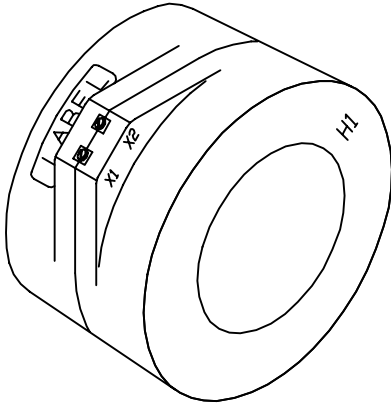
**CONTINUOUS THERMAL CURRENT RATING FACTOR:**

1.33 at 30°C amb., 1.0 at 55°C amb.

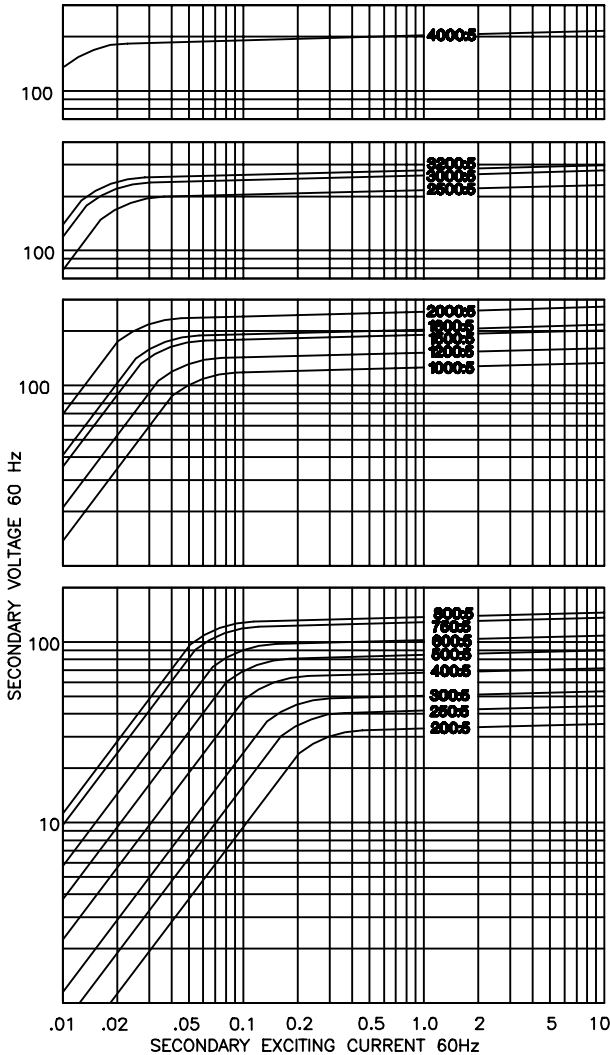
- Secondary terminals are brass screws No. 10-32 with one flatwasher and lockwasher.
- Approximate weight 16 lbs.



Manufactured to meet the requirements of ANSI/IEEE C57.13.  
Classified by U.L. in accordance with IEC 44-1.



EXCITATION CURVE



CATALOG NUMBER	CURRENT RATIO	RELAY CLASS	ANSI METERING CLASS AT 60 Hz					SECONDARY WINDING RESISTANCE (OHMS @ 75 °C)
			B0.1	B0.2	B0.5	B0.9	B1.8	
354R-201	200:5	C 20	0.6	0.6	1.2	2.4	2.4	0.111
354R-251	250:5	C 20	0.6	0.6	1.2	1.2	2.4	0.139
354R-301	300:5	C 20	0.3	0.6	0.6	1.2	1.2	0.167
354R-401	400:5	C 50	0.3	0.3	0.6	0.6	1.2	0.223
354R-501	500:5	C 50	0.3	0.3	0.3	0.6	0.6	0.278
354R-601	600:5	C 50	0.3	0.3	0.3	0.3	0.6	0.334
354R-751	750:5	C100	0.3	0.3	0.3	0.3	0.3	0.417
354R-801	800:5	C100	0.3	0.3	0.3	0.3	0.3	0.445
354R-102	1000:5	C100	0.3	0.3	0.3	0.3	0.6	0.519
354R-122	1200:5	C 50	0.3	0.3	0.3	0.3	0.3	0.623
354R-152	1500:5	C100	0.3	0.3	0.3	0.3	0.3	0.779
354R-162	1600:5	C100	0.3	0.3	0.3	0.3	0.3	0.831
354R-202	2000:5	C100	0.3	0.3	0.3	0.3	0.3	1.039
354R-252	2500:5	C100	0.3	0.3	0.3	0.3	0.3	1.203
354R-302	3000:5	C100	0.3	0.3	0.3	0.3	0.3	1.443
354R-322	3200:5	C100	0.3	0.3	0.3	0.3	0.3	1.539
354R-402	4000:5	C 50	0.3	0.3	0.3	0.3	0.3	1.771