

CURRENT TRANSFORMER

Model 354M

Window Diameter 3.80"

APPLICATION:

Metering.

FREQUENCY:

50-400 Hz.

INSULATION LEVEL:

0.6 kV, BIL 10 kV full wave.

REGULATORY AGENCY APPROVALS



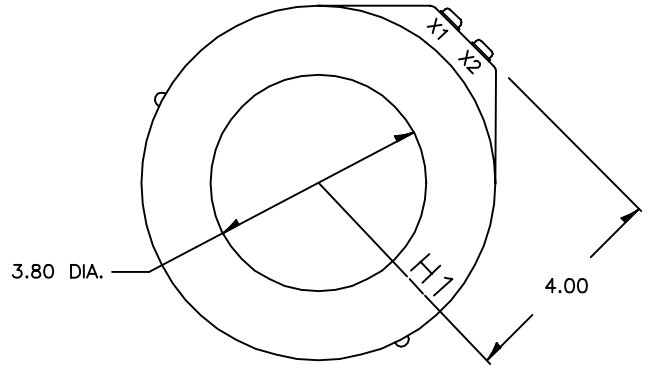
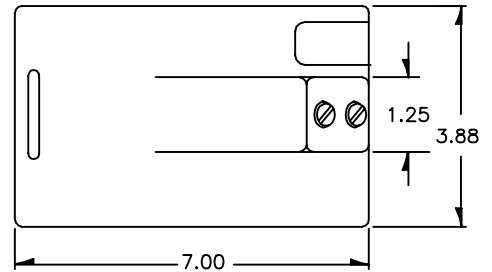
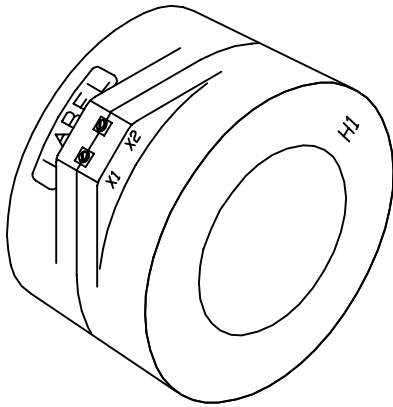
Manufactured to meet the requirements of ANSI/IEEE C57.13.
Classified by U.L. in accordance with IEC 44-1.

Approved for revenue metering by Industry Canada. AE-0653

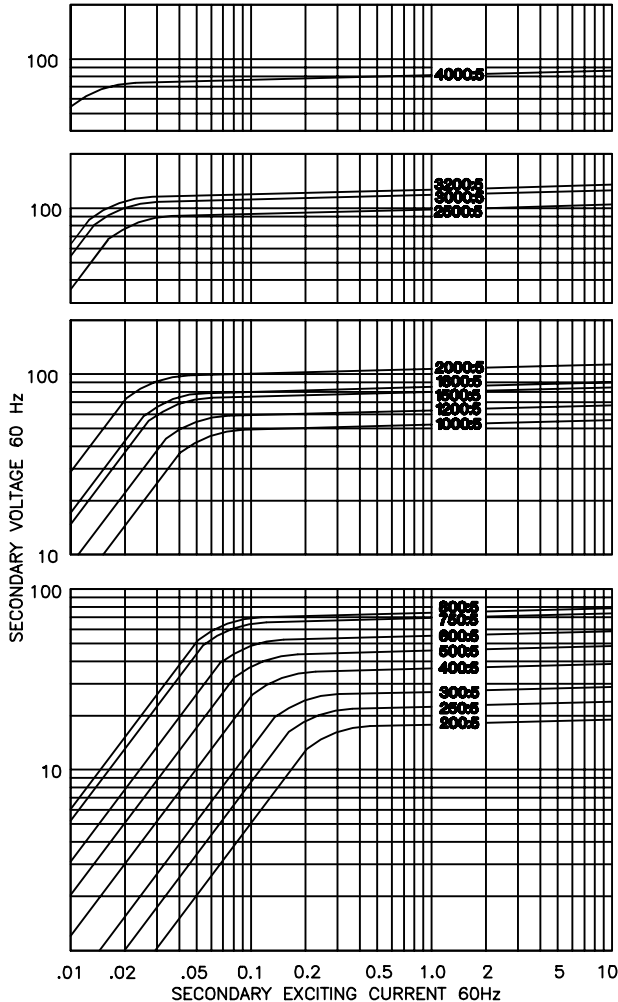
CONTINUOUS THERMAL CURRENT RATING FACTOR:

1.33 at 30°C amb., 1.0 at 55°C amb.

- Secondary terminals are brass screws No. 10-32 with one flatwasher and lockwasher.
- Approximate weight 9 lbs.



EXCITATION CURVE



CATALOG NUMBER	CURRENT RATIO	ANSI METERING CLASS AT 60 Hz					SECONDARY WINDING RESISTANCE (OHMS @ 75 °C)
		B0.1	B0.2	B0.5	B0.9	B1.8	
354M-201	200:5	0.6	0.6	1.2	2.4	—	0.061
354M-251	250:5	0.6	0.6	0.6	1.2	2.4	0.069
354M-301	300:5	0.3	0.6	1.2	1.2	2.4	0.110
354M-401	400:5	0.3	0.3	0.6	0.6	1.2	0.126
354M-501	500:5	0.3	0.3	0.3	0.3	0.6	0.139
354M-601	600:5	0.3	0.3	0.3	0.3	0.3	0.146
354M-751	750:5	0.3	0.3	0.3	0.3	0.3	0.237
354M-801	800:5	0.3	0.3	0.3	0.3	0.3	0.260
354M-102	1000:5	0.3	0.3	0.6	0.6	1.2	0.297
354M-122	1200:5	0.3	0.3	0.3	0.6	1.2	0.356
354M-152	1500:5	0.3	0.3	0.3	0.3	0.6	0.445
354M-162	1600:5	0.3	0.3	0.3	0.3	0.6	0.475
354M-202	2000:5	0.3	0.3	0.3	0.3	0.6	0.593
354M-252	2500:5	0.3	0.3	0.3	0.3	0.3	0.725
354M-302	3000:5	0.3	0.3	0.3	0.3	0.3	0.871
354M-322	3200:5	0.3	0.3	0.3	0.3	0.3	0.929
354M-402	4000:5	0.3	0.3	0.3	0.3	0.3	1.007