

CURRENT TRANSFORMER

Model 353R

Window Diameter 3.05"

APPLICATION:
Relaying and metering.

FREQUENCY:
50-400 Hz.

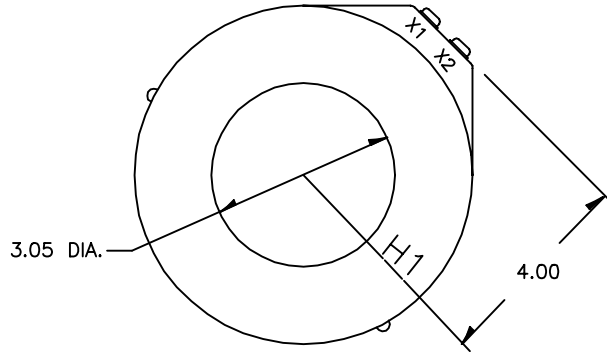
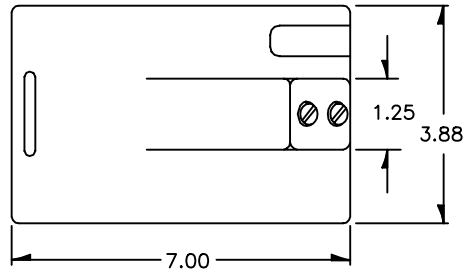
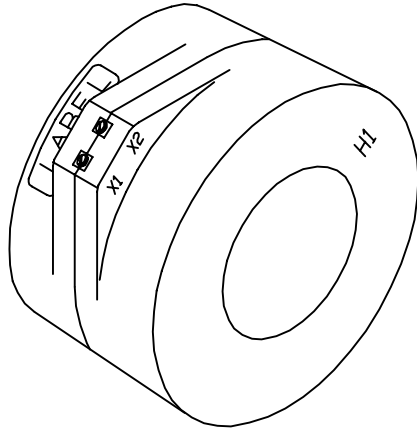
INSULATION LEVEL:
0.6 kV, BIL 10 kV full wave.
REGULATORY AGENCY APPROVALS



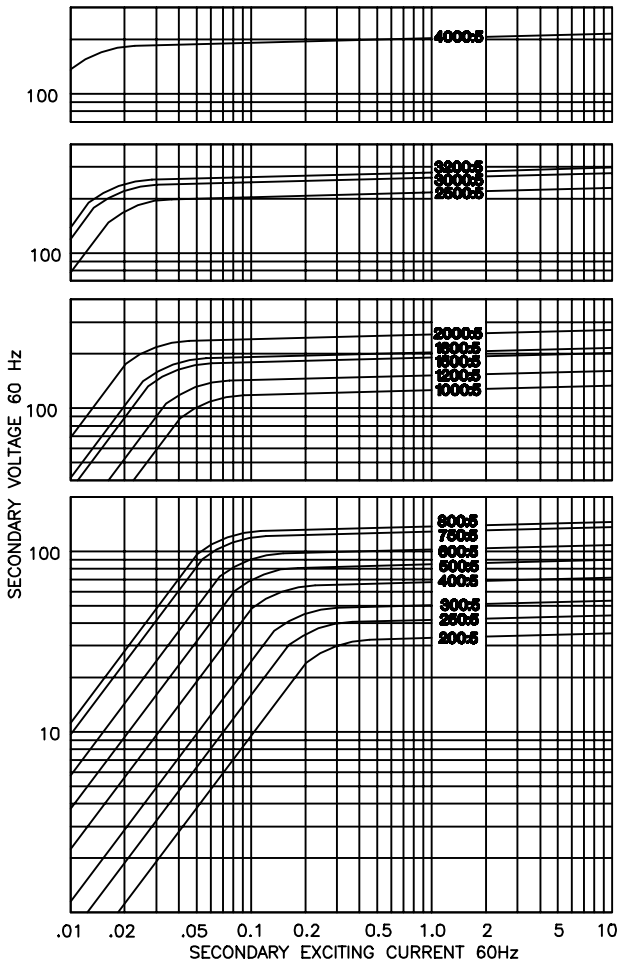
Manufactured to meet the requirements of ANSI/IEEE C57.13.
Classified by U.L. in accordance with IEC 44-1.

CONTINUOUS THERMAL CURRENT RATING FACTOR:
1.33 at 30°C amb., 1.0 at 55°C amb.

- Secondary terminals are brass screws No. 10-32 with one flatwasher and lockwasher.
- Approximate weight 18 lbs.



EXCITATION CURVE



CATALOG NUMBER	CURRENT RATIO	RELAY CLASS	ANSI METERING CLASS AT 60 Hz					SECONDARY WINDING RESISTANCE (OHMS @ 75 °C)
			B0.1	B0.2	B0.5	B0.9	B1.8	
353R-201	200:5	C 20	0.6	0.6	1.2	2.4	2.4	0.111
353R-251	250:5	C 20	0.6	0.6	1.2	1.2	2.4	0.139
353R-301	300:5	C 20	0.3	0.6	0.6	1.2	1.2	0.167
353R-401	400:5	C 50	0.3	0.3	0.6	0.6	1.2	0.223
353R-501	500:5	C 50	0.3	0.3	0.3	0.6	0.6	0.278
353R-601	600:5	C 50	0.3	0.3	0.3	0.3	0.6	0.334
353R-751	750:5	C100	0.3	0.3	0.3	0.3	0.3	0.417
353R-801	800:5	C100	0.3	0.3	0.3	0.3	0.3	0.445
353R-102	1000:5	C100	0.3	0.3	0.3	0.3	0.6	0.519
353R-122	1200:5	C 50	0.3	0.3	0.3	0.3	0.3	0.623
353R-152	1500:5	C100	0.3	0.3	0.3	0.3	0.3	0.779
353R-162	1600:5	C100	0.3	0.3	0.3	0.3	0.3	0.831
353R-202	2000:5	C100	0.3	0.3	0.3	0.3	0.3	1.039
353R-252	2500:5	C100	0.3	0.3	0.3	0.3	0.3	1.203
353R-302	3000:5	C 50	0.3	0.3	0.3	0.3	0.3	1.443
353R-322	3200:5	C 50	0.3	0.3	0.3	0.3	0.3	1.539
353R-402	4000:5	C 50	0.3	0.3	0.3	0.3	0.3	1.771