

# CURRENT TRANSFORMER

Model 197

Window Diameter 3.12"

**APPLICATION:**  
Metering.

**FREQUENCY:**  
50-400 Hz.

**INSULATION LEVEL:**  
0.6 kV. BIL 10 kV. full wave.

REGULATORY AGENCY APPROVALS



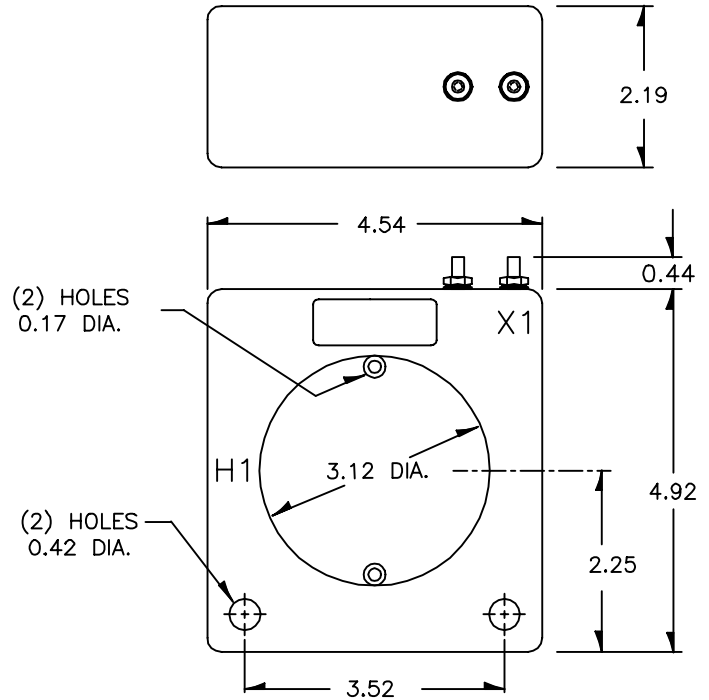
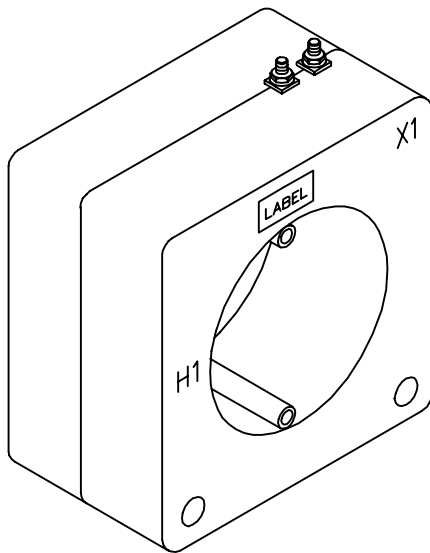
Manufactured to meet the requirements of ANSI/IEEE C57.13.  
Classified by U.L. in accordance with IEC 44-1.

Approved for revenue metering by Industry Canada. AE-0648

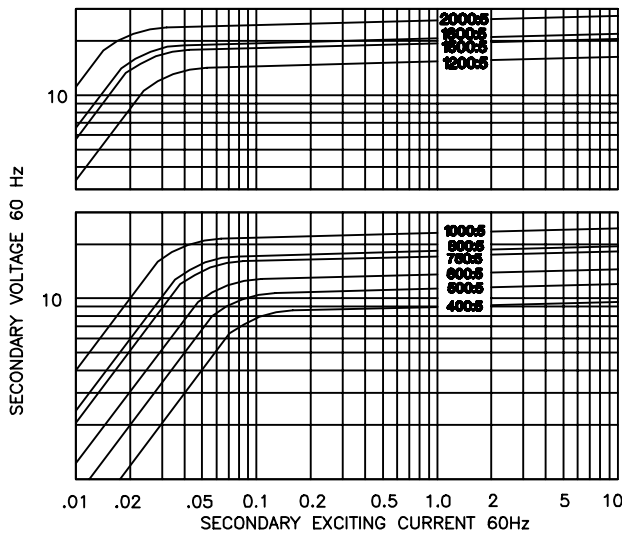
**CONTINUOUS THERMAL CURRENT RATING FACTOR:**

1.33 at 30°C. amb. 1.0 at 55°C. amb

- Secondary terminals are No. 8-32 brass studs with one flatwasher, lockwasher and regular nut.
- Approximate weight 2 lbs.



EXCITATION CURVE



CATALOG NUMBER	CURRENT RATIO	ANSI METERING CLASS AT 60 Hz					SECONDARY WINDING RESISTANCE (OHMS @ 75 °C)
		B0.1	B0.2	B0.5	B0.9	B1.8	
197-401	400:5	0.3	0.3	0.6	1.2	-	0.113
197-501	500:5	0.3	0.3	0.6	0.6	-	0.141
197-601	600:5	0.3	0.3	0.3	0.6	1.2	0.155
197-751	750:5	0.3	0.3	0.3	0.6	1.2	0.248
197-801	800:5	0.3	0.3	0.3	0.6	1.2	0.265
197-102	1000:5	0.3	0.3	0.3	0.3	1.2	0.331
197-122	1200:5	0.3	0.3	0.3	0.6	1.2	0.315
197-152	1500:5	0.3	0.3	0.3	0.3	1.2	0.471
197-162	1600:5	0.3	0.3	0.3	0.3	0.6	0.502
197-202	2000:5	0.3	0.3	0.3	0.3	0.6	0.782

## MOUNTING ARRANGEMENT FOR MODEL 197 C.T.'S.

For use with WESTINGHOUSE molded case circuit breakers. Generally two Current Transformers are used which fit on the two outer phase buses of the LA 600/LC 600, MA 600/MC 600, NB 1200/NC 1200 and TB-TC 2000/2500/3000 frame breakers. The Current Transformer can be mounted directly to the bus bars by means of small angle brackets. The 3/4 inch wide section of the Current Transformer permits it to be mounted between the 2 inch busbars which are on 2-3/4 inch centers. If a third Current Transformer is required, the center phase bus is offset to the back.

