

CURRENT TRANSFORMER

Model 185

Window Diameter 2.50"

APPLICATION:
Metering.

FREQUENCY:
50-400 Hz.

INSULATION LEVEL:
0.6 kV, BIL 10 kV full wave.
REGULATORY AGENCY APPROVALS

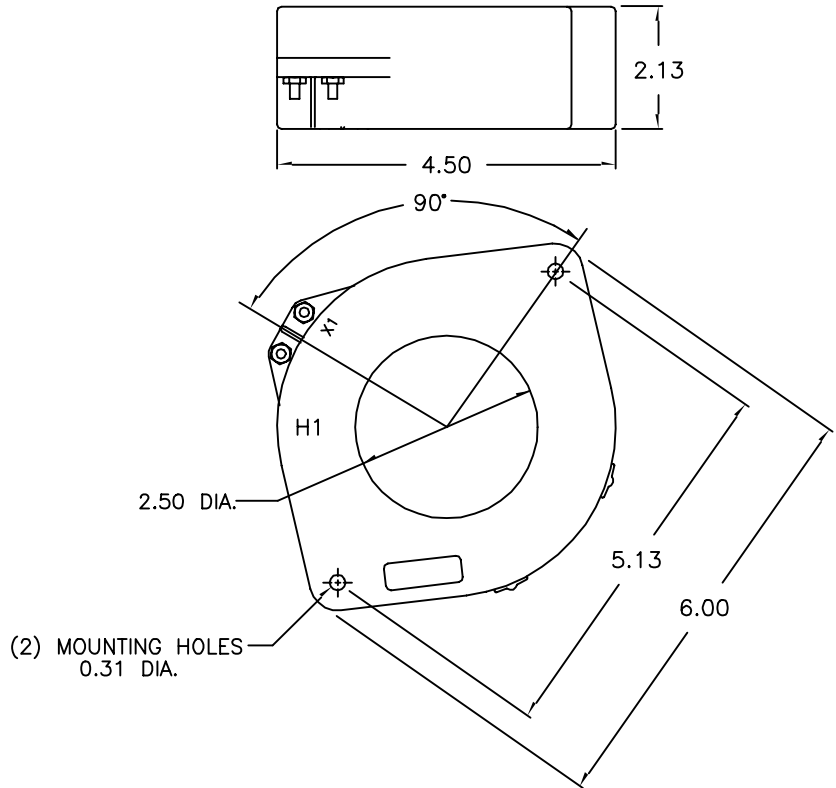
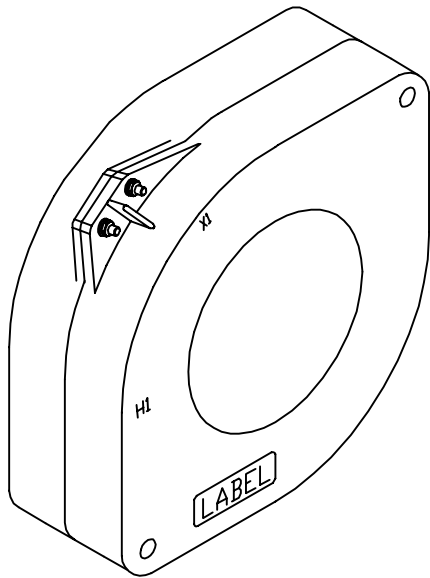


Manufactured to meet the requirements of ANSI/IEEE C57.13.
Classified by U.L. in accordance with IEC 44-1.

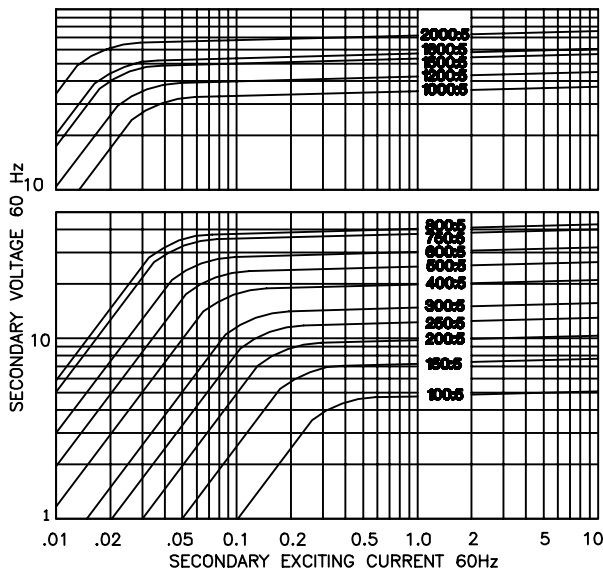
CONTINUOUS THERMAL CURRENT RATING FACTOR:

1.33 at 30°C. amb., 1.0 at 55°C. amb.

- Secondary terminals are No. 10-32 brass studs with one flatwasher, lockwasher and regular nut.
- Approximate weight 5 lbs.



EXCITATION CURVE



CATALOG NUMBER	CURRENT RATIO	ANSI METERING CLASS AT 60 Hz					SECONDARY WINDING RESISTANCE (OHMS @ 75 °C)
		B0.1	B0.2	B0.5	B0.9	B1.8	
185-101	100:5	1.2	2.4	-	-	-	0.038
185-151	150:5	0.6	1.2	2.4	-	-	0.057
185-201	200:5	0.6	0.6	1.2	-	-	0.075
185-251	250:5	0.3	0.3	1.2	-	-	0.094
185-301	300:5	0.3	0.3	0.6	1.2	2.4	0.113
185-401	400:5	0.3	0.3	0.3	0.6	1.2	0.151
185-501	500:5	0.3	0.3	0.3	0.6	1.2	0.189
185-601	600:5	0.3	0.3	0.3	0.6	0.6	0.226
185-751	750:5	0.3	0.3	0.3	0.6	0.6	0.283
185-801	800:5	0.3	0.3	0.3	0.3	0.3	0.302
185-102	1000:5	0.3	0.3	0.3	0.3	0.3	0.335
185-122	1200:5	0.3	0.3	0.3	0.3	0.3	0.402
185-152	1500:5	0.3	0.3	0.3	0.3	0.3	0.502
185-162	1600:5	0.3	0.3	0.3	0.3	0.3	0.535
185-202	2000:5	0.3	0.3	0.3	0.3	0.3	0.891