

CURRENT TRANSFORMER

Model 176

Window Diameter 7.50"

APPLICATION:
Metering.

FREQUENCY:
50-400 Hz.

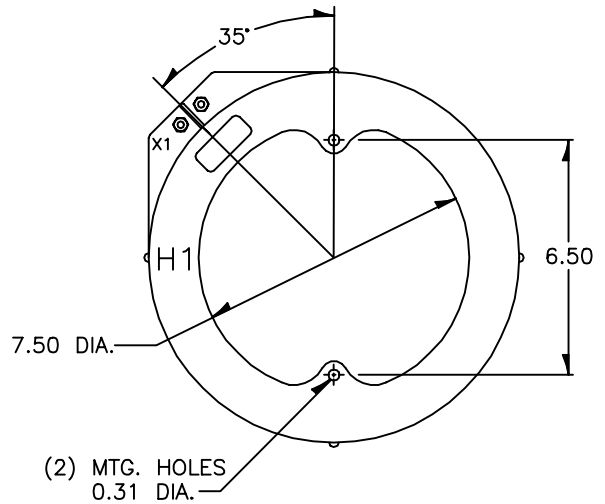
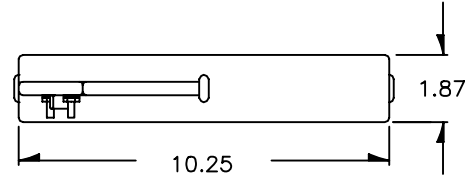
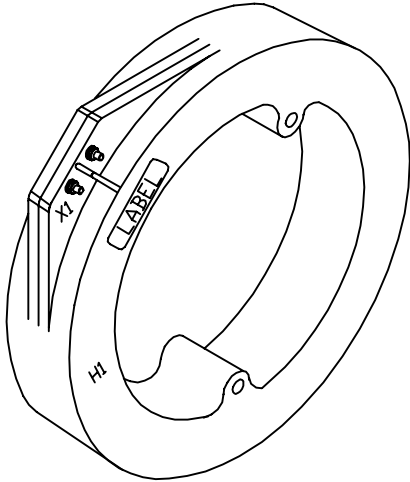
INSULATION LEVEL:
0.6 kV, BIL 10 kV full wave.
REGULATORY AGENCY APPROVALS

CONTINUOUS THERMAL CURRENT RATING FACTOR:
1.33 at 30°C. amb., 1.0 at 55°C. amb.

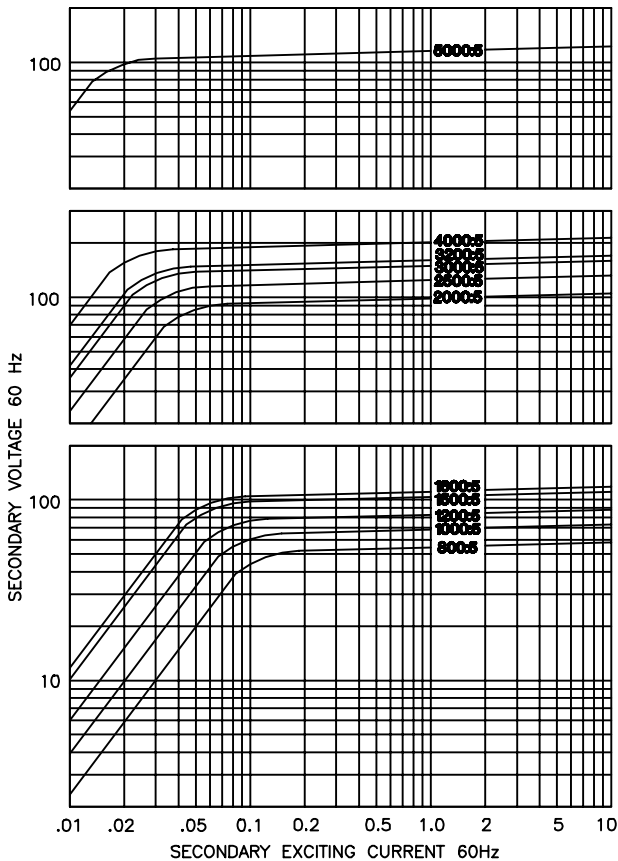
- Secondary terminals are No. 10-32 brass studs with one flatwasher, lockwasher and regular nut.
- Approximate weight 10 lbs.



Manufactured to meet the requirements of ANSI/IEEE C57.13.
Classified by U.L. in accordance with IEC 44-1.



EXCITATION CURVE



CATALOG NUMBER	CURRENT RATIO	ANSI METERING CLASS AT 60 Hz					SECONDARY WINDING RESISTANCE (OHMS @ 75 °C)
		B0.1	B0.2	B0.5	B0.9	B1.8	
176-801	800:5	0.3	0.3	0.3	0.3	0.6	0.250
176-102	1000:5	0.3	0.3	0.3	0.3	0.3	0.312
176-122	1200:5	0.3	0.3	0.3	0.3	0.3	0.375
176-152	1500:5	0.3	0.3	0.3	0.3	0.3	0.468
176-162	1600:5	0.3	0.3	0.3	0.3	0.3	0.499
176-202	2000:5	0.3	0.3	0.3	0.3	0.3	0.530
176-252	2500:5	0.3	0.3	0.3	0.3	0.3	0.713
176-302	3000:5	0.3	0.3	0.3	0.3	0.3	0.856
176-322	3200:5	0.3	0.3	0.3	0.3	0.3	0.913
176-402	4000:5	0.3	0.3	0.3	0.3	0.3	1.141
176-502	5000:5	0.3	0.3	0.3	0.3	0.3	1.215