

# CURRENT TRANSFORMER

Model 136

Window Diameter 4.00"

**APPLICATION:**  
Relaying and metering.

**FREQUENCY:**  
50-400 Hz.

**INSULATION LEVEL:**  
0.6 kV, BIL 10 kV full wave.

REGULATORY AGENCY APPROVALS

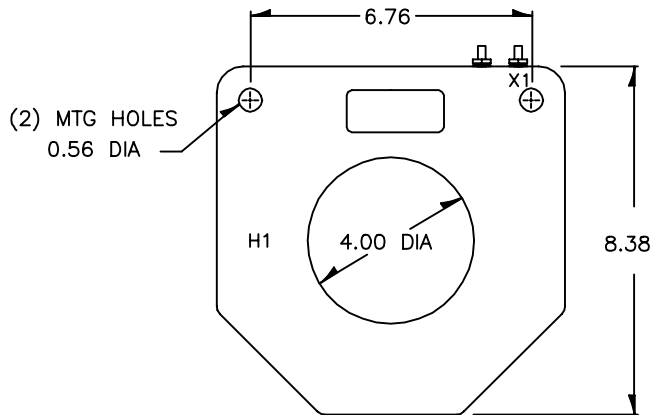
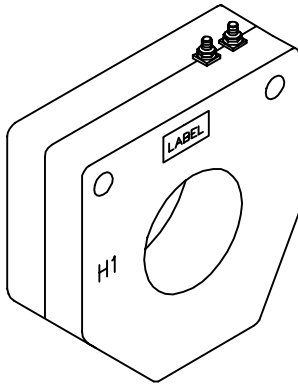


Manufactured to meet the requirements of ANSI/IEEE C57.13.  
Classified by U.L. in accordance with IEC 44-1.

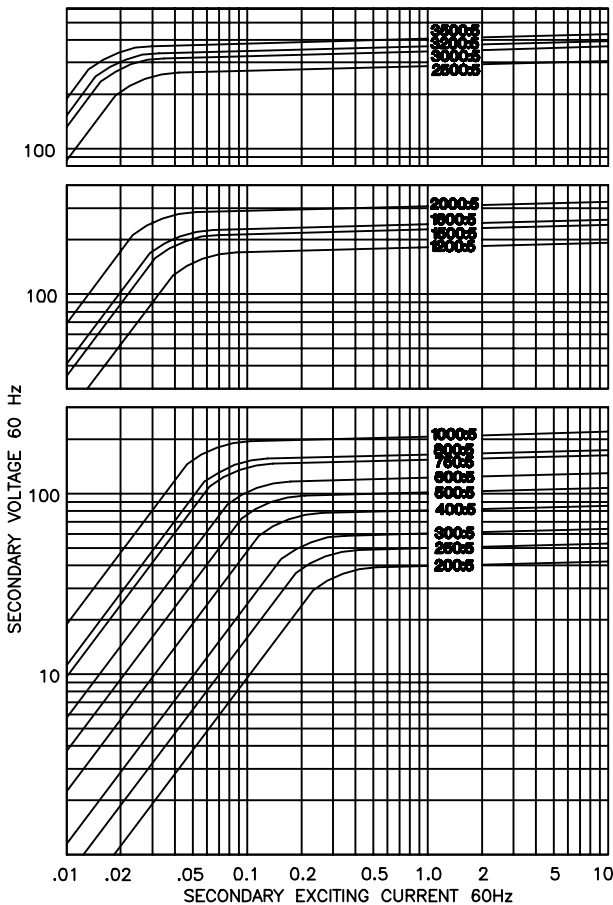
**CONTINUOUS THERMAL CURRENT RATING FACTOR:**  
1.33 at 30°C amb.; 1.0 at 55°C amb.

- Terminals are brass studs No. 8-32 with one flatwasher, lockwasher and regular nut.

- Approximate weight 23 lbs.



EXCITATION CURVE



CATALOG NUMBER	CURRENT RATIO AMPERES	RELAY CLASS	ANSI METERING CLASS AT 60 Hz					SECONDARY WINDING RESISTANCE (OHMS @ 75 °C)
			B0.1	B0.2	B0.5	B0.9	B1.8	
136-201	200:5	C 20	0.6	0.6	1.2	2.4	2.4	1.022
136-251	250:5	C 20	0.3	0.6	1.2	1.2	2.4	1.287
136-301	300:5	C 50	0.3	0.3	0.6	1.2	1.2	1.372
136-401	400:5	C 50	0.3	0.3	0.3	0.6	1.2	1.501
136-501	500:5	C 50	0.3	0.3	0.3	0.3	0.6	0.541
136-601	600:5	C100	0.3	0.3	0.3	0.3	0.6	0.707
136-751	750:5	C100	0.3	0.3	0.3	0.3	0.3	0.754
136-801	800:5	C100	0.3	0.3	0.3	0.3	0.3	0.942
136-102	1000:5	C100	0.3	0.3	0.3	0.3	0.3	0.103
136-122	1200:5	C100	0.3	0.3	0.3	0.3	0.3	0.128
136-152	1500:5	C200	0.3	0.3	0.3	0.3	0.3	0.154
136-162	1600:5	C200	0.3	0.3	0.3	0.3	0.3	0.205
136-202	2000:5	C200	0.3	0.3	0.3	0.3	0.3	0.257
136-252	2500:5	C200	0.3	0.3	0.3	0.3	0.3	0.308
136-302	3000:5	C200	0.3	0.3	0.3	0.3	0.3	0.385
136-322	3200:5	C200	0.3	0.3	0.3	0.3	0.3	0.411
136-352	3500:5	C200	0.3	0.3	0.3	0.3	0.3	0.513