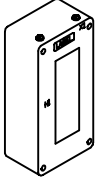
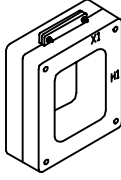

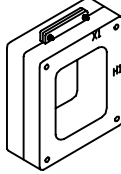
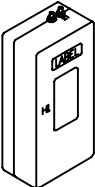
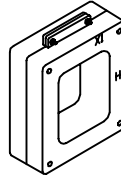
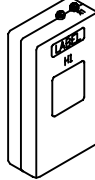
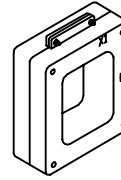
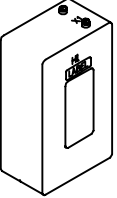
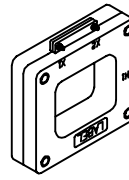
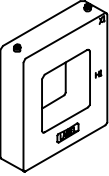
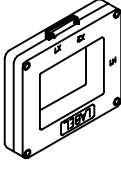
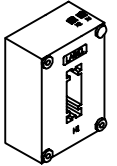
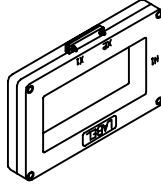
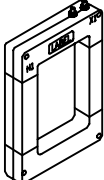
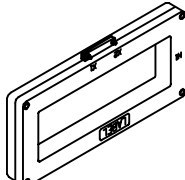
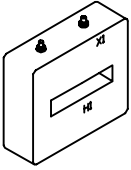
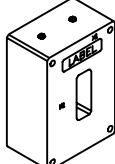
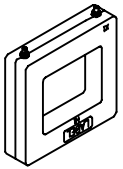
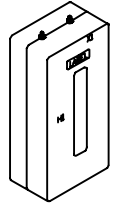
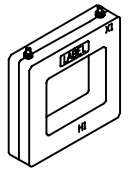
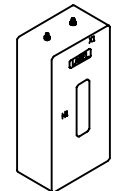
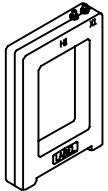
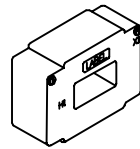
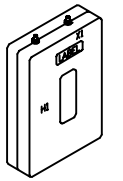
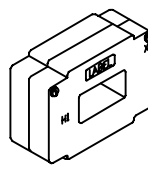
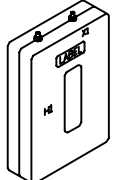
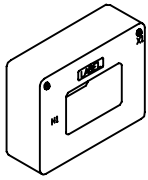
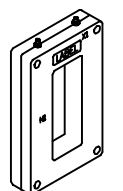
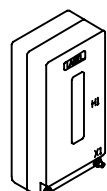


# RECTANGULAR CURRENT TRANSFORMERS *FOR METERING AND RELAYING*

<b>WINDOW SIZE</b> W2.63 H8.25		<b>MODEL</b> 510	<b>BODY SIZE</b> W6.50 H12.22 D4.50	<b>PAGE</b> <b>3</b>	<b>WINDOW SIZE</b> W3.25 H4.25		<b>MODEL</b> 560	<b>BODY SIZE</b> W5.75 H7.38 D1.63	<b>PAGE</b> <b>14</b>
<b>WINDOW SIZE</b> W1.44 H1.22		<b>MODEL</b> 520	<b>BODY SIZE</b> W5.13 H4.16 D2.44	<b>PAGE</b> <b>4</b>	<b>WINDOW SIZE</b> W3.25 H4.25		<b>MODEL</b> 561	<b>BODY SIZE</b> W5.75 H7.38 D2.88	<b>PAGE</b> <b>15</b>
<b>WINDOW SIZE</b> W1.56 H0.59		<b>MODEL</b> 521	<b>BODY SIZE</b> W3.50 H5.94 D1.92	<b>PAGE</b> <b>5</b>	<b>WINDOW SIZE</b> W4.00 H5.38		<b>MODEL</b> 562	<b>BODY SIZE</b> W6.30 H8.13 D1.63	<b>PAGE</b> <b>16</b>
<b>WINDOW SIZE</b> W1.33 H0.59		<b>MODEL</b> 525	<b>BODY SIZE</b> W3.50 H5.72 D1.38	<b>PAGE</b> <b>6</b>	<b>WINDOW SIZE</b> W4.00 H5.38		<b>MODEL</b> 563	<b>BODY SIZE</b> W6.30 H8.13 D2.88	<b>PAGE</b> <b>17</b>
<b>WINDOW SIZE</b> W1.88 H3.06		<b>MODEL</b> 530	<b>BODY SIZE</b> W5.25 H5.72 D1.94	<b>PAGE</b> <b>7</b>	<b>WINDOW SIZE</b> W2.75 H2.25		<b>MODEL</b> 566	<b>BODY SIZE</b> W4.50 H4.50 D1.19	<b>PAGE</b> <b>18</b>
<b>WINDOW SIZE</b> W4.06 H3.06		<b>MODEL</b> 531	<b>BODY SIZE</b> W5.88 H6.22 D1.62	<b>PAGE</b> <b>8</b>	<b>WINDOW SIZE</b> W4.75 H3.75		<b>MODELS</b> 567TL, 567TS	<b>BODY SIZE</b> W8.38 H6.63 D1.19	<b>PAGE</b> <b>19</b>
<b>WINDOW SIZES</b> W0.53 H1.53 W0.53 H3.03 W0.53 H4.03		<b>MODELS</b> 543, 544, 545, 546, 547, 548	<b>BODY SIZE</b> W5.75 H7.75 D3.20	<b>PAGE</b> <b>9</b>	<b>WINDOW SIZE</b> W7.45 H3.75		<b>MODELS</b> 568TL, 568TS	<b>BODY SIZE</b> W11.13 H6.63 D1.19	<b>PAGE</b> <b>20</b>
<b>WINDOW SIZES</b> W4.1-10.1 H7.1-30.1		<b>MODEL</b> 550	<b>BODY SIZE</b> W13.20 H33.90 D1.63	<b>PAGE</b> <b>12</b>	<b>WINDOW SIZE</b> W9.50 H3.75		<b>MODELS</b> 569TL, 569TS	<b>BODY SIZE</b> W13.05 H6.63 D1.19	<b>PAGE</b> <b>21</b>

# RECTANGULAR CURRENT TRANSFORMERS

*FOR METERING  
AND RELAYING*

<b>WINDOW SIZE</b> W3.56 H0.79 	<b>MODEL</b> 570	<b>BODY SIZE</b> W5.50 H5.16 D1.66	<b>PAGE</b> <b>22</b>	<b>WINDOW SIZE</b> W0.75 H2.25 	<b>MODEL</b> 577	<b>BODY SIZE</b> W5.00 H6.50 D2.00	<b>PAGE</b> <b>29</b>
<b>WINDOW SIZE</b> W3.58 H4.13 	<b>MODEL</b> 571	<b>BODY SIZE</b> W7.00 H7.92 D1.35	<b>PAGE</b> <b>23</b>	<b>WINDOW SIZE</b> W0.75 H3.25 	<b>MODEL</b> 578	<b>BODY SIZE</b> W5.25 H8.97 D2.00	<b>PAGE</b> <b>30</b>
<b>WINDOW SIZE</b> W4.66 H4.16 	<b>MODEL</b> 572	<b>BODY SIZE</b> W7.93 H7.79 D1.26	<b>PAGE</b> <b>24</b>	<b>WINDOW SIZE</b> W0.75 H5.25 	<b>MODEL</b> 579	<b>BODY SIZE</b> W5.25 H8.97 D2.00	<b>PAGE</b> <b>31</b>
<b>WINDOW SIZE</b> W3.43 H5.00 	<b>MODEL</b> 573	<b>BODY SIZE</b> W5.88 H8.19 D1.75	<b>PAGE</b> <b>25</b>	<b>WINDOW SIZE</b> W2.50 H1.00 	<b>MODEL</b> 580	<b>BODY SIZE</b> W5.13 H3.88 D2.22	<b>PAGE</b> <b>32</b>
<b>WINDOW SIZE</b> W0.75 H2.25 	<b>MODEL</b> 574	<b>BODY SIZE</b> W5.00 H6.94 D1.12	<b>PAGE</b> <b>26</b>	<b>WINDOW SIZE</b> W3.13 H1.13 	<b>MODEL</b> 581	<b>BODY SIZE</b> W5.13 H3.88 D2.22	<b>PAGE</b> <b>33</b>
<b>WINDOW SIZE</b> W0.75 H3.25 	<b>MODEL</b> 575	<b>BODY SIZE</b> W5.00 H6.94 D1.12	<b>PAGE</b> <b>27</b>	<b>WINDOW SIZE</b> W3.25 H2.00 	<b>MODEL</b> 582	<b>BODY SIZE</b> W5.13 H4.75 D2.22	<b>PAGE</b> <b>34</b>
<b>WINDOW SIZE</b> W2.00 H5.25 	<b>MODEL</b> 576	<b>BODY SIZE</b> W5.00 H8.69 D1.50	<b>PAGE</b> <b>28</b>	<b>WINDOW SIZE</b> W0.59 H3.12 	<b>MODEL</b> 583	<b>BODY SIZE</b> W4.19 H6.81 D1.94	<b>PAGE</b> <b>35</b>

# CURRENT TRANSFORMER

Model 510

Window Size 2.63" X 8.25"

**APPLICATION:**

Relaying and metering.

**FREQUENCY:**

50-400 Hz.

**INSULATION LEVEL:**

0.6 kV, BIL 10 kV full wave.

**CONTINUOUS THERMAL RATING FACTOR:**

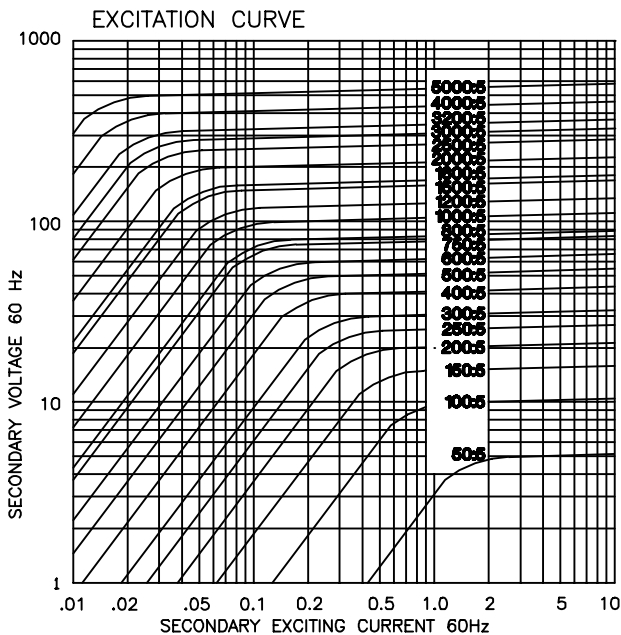
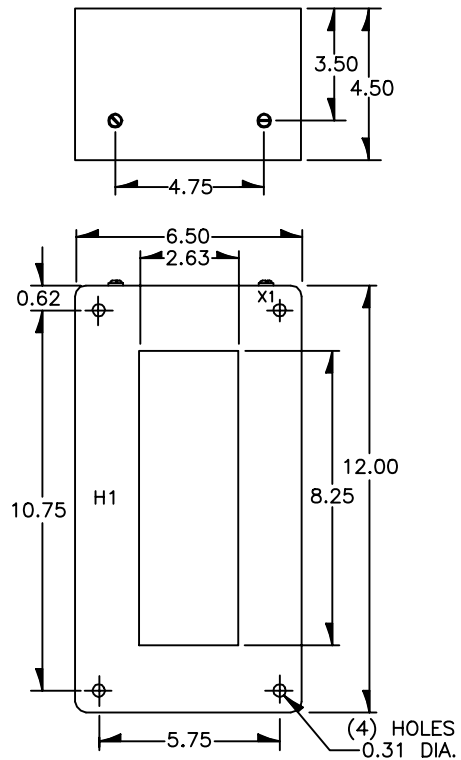
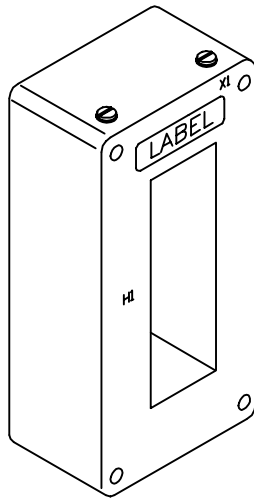
50:5-3000:5 1.33 @ 30°C,  
 1.0 @ 55°C.  
 3200:5 1.25 @ 30°C  
 4000:5 1.0 @ 30°C  
 5000:5 0.8 @ 30°C

- Terminals are brass screws No. 10-32 with one flatwasher and lockwasher.
- Cast resin construction.
- Approximate weight 22 lbs.

REGULATORY AGENCY APPROVALS



Manufactured to meet the requirements of ANSI/IEEE C57.13. Classified by U.L. in accordance with IEC 44-1



CATALOG NUMBER	CURRENT RATIO	RELAY CLASS	ANSI METERING CLASS AT 60 Hz					SECONDARY WINDING RESISTANCE (OHMS @ 75°C)
			B0.1	B0.2	B0.5	B0.9	B1.8	
510-500	50:5	-	4.8	-	-	-	-	0.014
510-101	100:5	-	1.2	2.4	4.8	-	-	0.036
510-151	150:5	C10	1.2	1.2	2.4	4.8	-	0.051
510-201	200:5	C10	0.6	0.6	1.2	2.4	4.8	0.077
510-251	250:5	C20	0.6	0.6	1.2	2.4	4.8	0.096
510-301	300:5	C20	0.6	0.6	0.6	1.2	2.4	0.115
510-401	400:5	C20	0.3	0.3	0.6	1.2	1.2	0.166
510-501	500:5	C20	0.3	0.3	0.6	0.6	1.2	0.214
510-601	600:5	C20	0.3	0.3	0.3	0.6	1.2	0.257
510-751	750:5	C50	0.3	0.3	0.3	0.6	0.6	0.362
510-801	800:5	C50	0.3	0.3	0.3	0.6	0.6	0.386
510-102	1000:5	C50	0.3	0.3	0.3	0.6	0.6	0.386
510-122	1200:5	C50	0.3	0.3	0.3	0.3	0.6	0.482
510-152	1500:5	C50	0.3	0.3	0.3	0.3	0.3	0.723
510-162	1600:5	C100	0.3	0.3	0.3	0.3	0.3	0.771
510-202	2000:5	C100	0.3	0.3	0.3	0.3	0.3	0.964
510-252	2500:5	C200	0.3	0.3	0.3	0.3	0.3	1.256
510-302	3000:5	C200	0.3	0.3	0.3	0.3	0.3	1.200
510-322	3200:5	C200	0.3	0.3	0.3	0.3	0.3	1.607
510-402	4000:5	C200	0.3	0.3	0.3	0.3	0.3	1.928
510-502	5000:5	C200	0.3	0.3	0.3	0.3	0.3	2.410

# CURRENT TRANSFORMER

**Model 520**

*Window Size 1.44" X 1.22"*

**APPLICATION:**  
Metering.

**FREQUENCY:**  
50–400 Hz.

**INSULATION LEVEL:**  
0.6 kV, BIL 10 kV full wave.

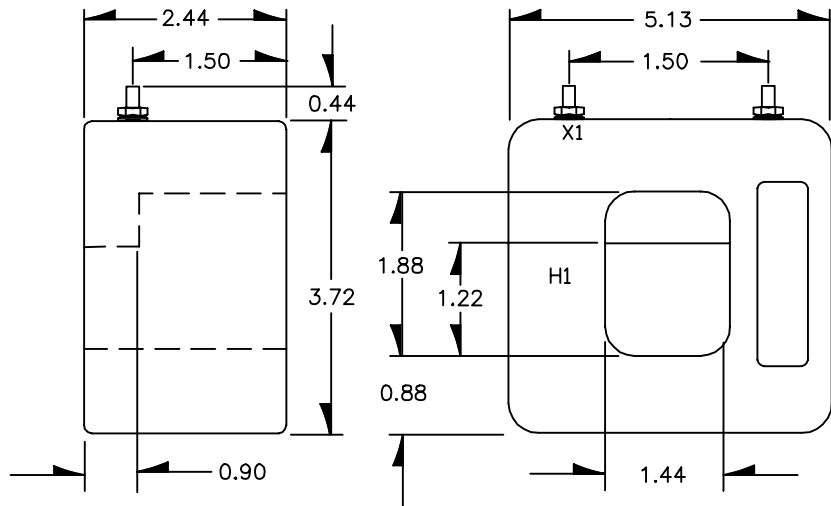
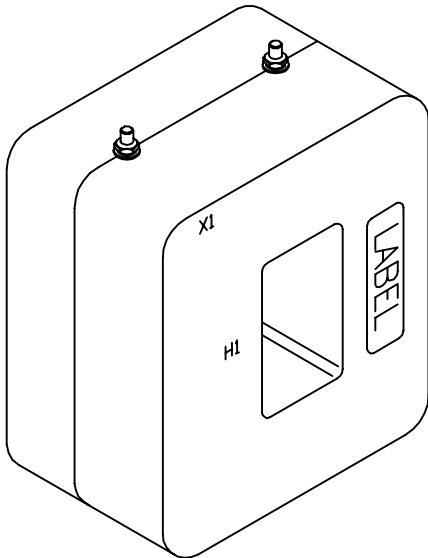
**CONTINUOUS THERMAL RATING FACTOR:**  
1.33 at 30°C. amb.  
1.0 at 55°C. amb.

- Terminals are brass studs No. 10–32 with one flatwasher, lockwasher and regular nut.
- Approximate weight 3 lbs.

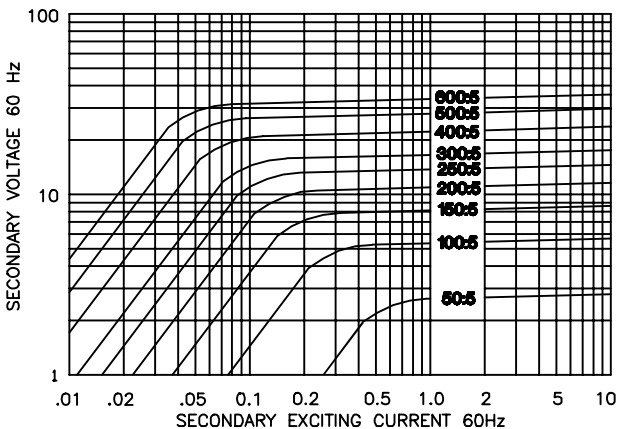
REGULATORY AGENCY APPROVALS



Manufactured to meet the requirements of ANSI/IEEE C57.13.  
Classified by U.L. in accordance with IEC 44–1



EXCITATION CURVE



CATALOG NUMBER	CURRENT RATIO	ANSI METERING CLASS AT 60 Hz					SECONDARY WINDING RESISTANCE (OHMS @ 75°C.)
		B0.1	B0.2	B0.5	B0.9	B1.8	
520–500	50:5	2.4	–	–	–	–	0.016
520–101	100:5	0.6	1.2	4.8	–	–	0.037
520–151	150:5	0.3	1.2	2.4	4.8	–	0.058
520–201	200:5	0.3	0.6	1.2	2.4	–	0.076
520–251	250:5	0.3	0.3	0.6	1.2	2.4	0.092
520–301	300:5	0.3	0.3	0.3	0.6	1.2	0.106
520–401	400:5	0.3	0.3	0.3	0.3	0.6	0.136
520–501	500:5	0.3	0.3	0.3	0.6	0.6	0.213
520–601	600:5	0.3	0.3	0.3	0.3	0.6	0.255

# CURRENT TRANSFORMER

**Model 521**

*Window Size 1.56" X 0.59"*

**APPLICATION:**  
Metering.

**FREQUENCY:**  
50–400 Hz.

**INSULATION LEVEL:**  
0.6 kV, BIL 10 kV full wave.

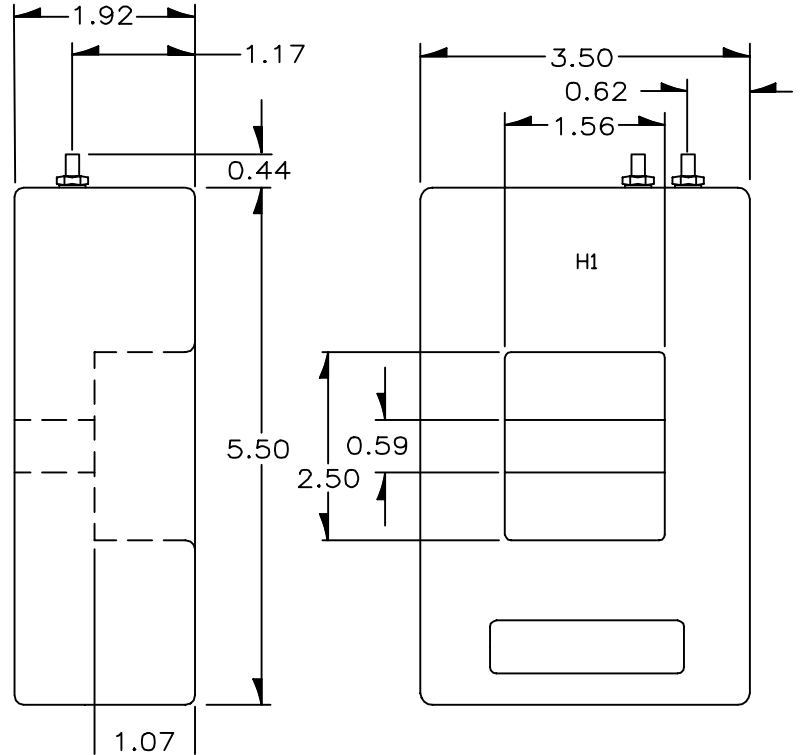
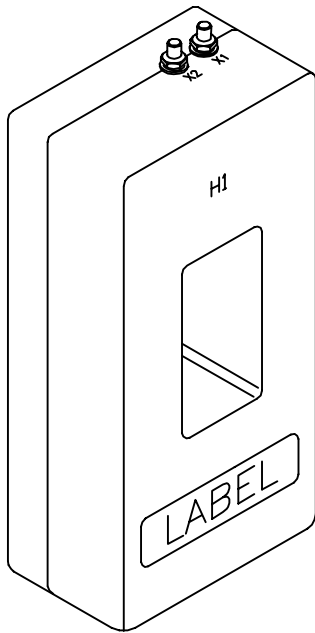
**CONTINUOUS THERMAL RATING FACTOR:**  
1.33 at 30°C. amb.  
1.0 at 55°C. amb.

- Terminals are brass studs No. 10–32 with one flatwasher, lockwasher and regular nut.
- Approximate weight 3.5 lbs.

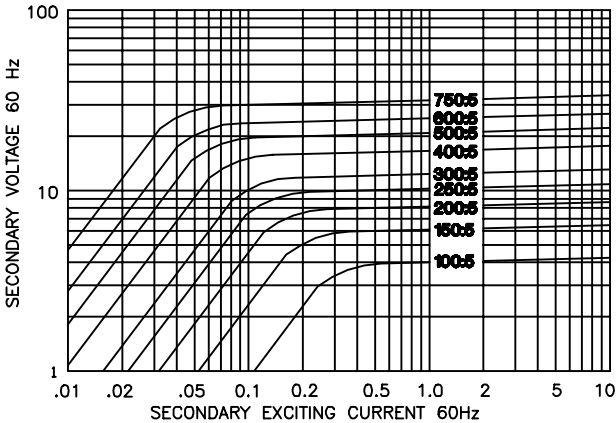
REGULATORY AGENCY APPROVALS



Manufactured to meet the requirements of ANSI/IEEE C57.13.  
Classified by U.L. in accordance with IEC 44–1



EXCITATION CURVE



CATALOG NUMBER	CURRENT RATIO	ANSI METERING CLASS AT 60 Hz					SECONDARY WINDING RESISTANCE (OHMS @ 75°C.)
		B0.1	B0.2	B0.5	B0.9	B1.8	
521-101	100:5	1.2	2.4	–	–	–	0.018
521-151	150:5	0.6	1.2	2.4	–	–	0.033
521-201	200:5	0.3	0.6	2.4	2.4	–	0.047
521-251	250:5	0.3	0.6	1.2	2.4	–	0.059
521-301	300:5	0.3	0.3	0.6	1.2	–	0.069
521-401	400:5	0.3	0.3	0.3	0.6	1.2	0.088
521-501	500:5	0.3	0.3	0.3	0.6	1.2	0.115
521-601	600:5	0.3	0.3	0.3	0.6	1.2	0.165
521-751	750:5	0.3	0.3	0.3	0.3	0.6	0.206

# CURRENT TRANSFORMER

Model 525

Window Size 1.33" X 0.59"

**APPLICATION:**

Metering.

**FREQUENCY:**

50-400 Hz.

**INSULATION LEVEL:**

0.6 kV, BIL 10 kV full wave.

**CONTINUOUS THERMAL RATING FACTOR:**

1.33 at 30°C. amb.

1.0 at 55°C. amb.

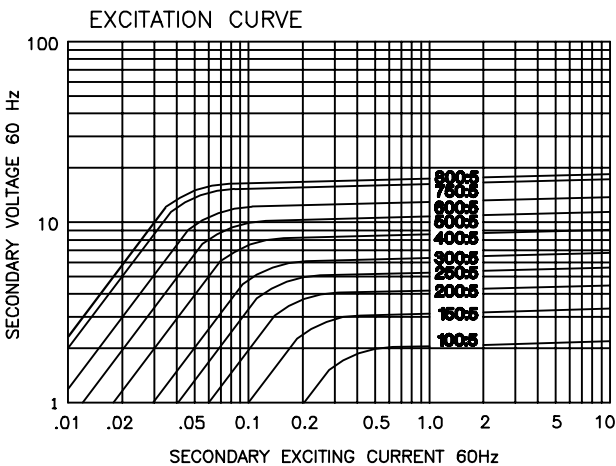
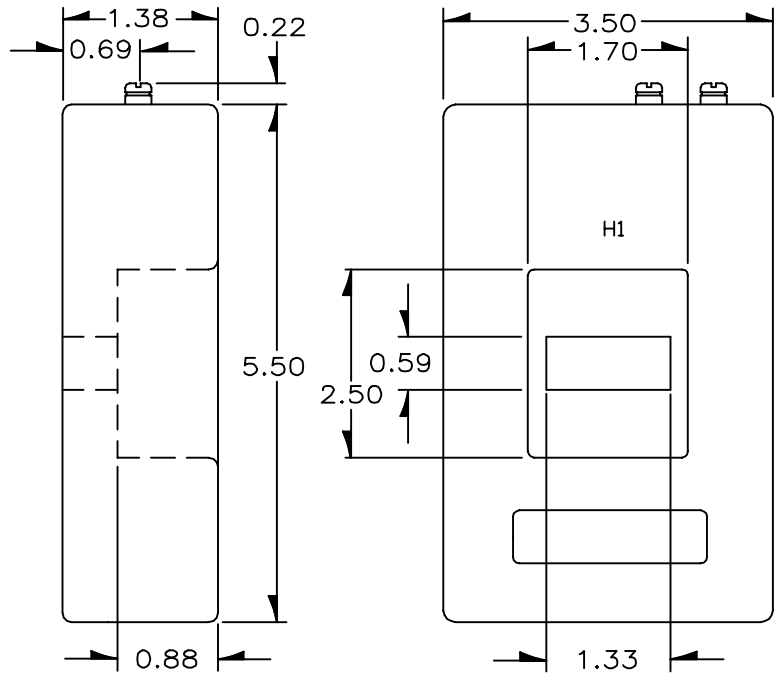
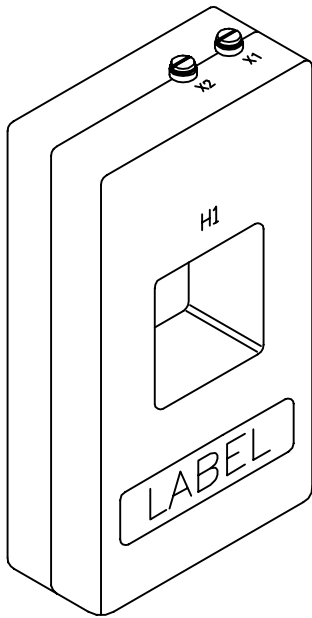
- Terminals are brass screws No. 8-32 with one flatwasher and lockwasher.

- Approximate weight 2 lbs.

REGULATORY AGENCY APPROVALS



Manufactured to meet the requirements of ANSI/IEEE C57.13. Classified by U.L. in accordance with IEC 44-1



CATALOG NUMBER	CURRENT RATIO	ANSI METERING CLASS AT 60 Hz					SECONDARY WINDING RESISTANCE (OHMS @ 75°C.)
		B0.1	B0.2	B0.5	B0.9	B1.8	
525-101	100:5	1.2	4.8	-	-	-	0.011
525-151	150:5	0.6	2.4	-	-	-	0.021
525-201	200:5	0.6	1.2	2.4	-	-	0.027
525-251	250:5	0.6	1.2	2.4	-	-	0.039
525-301	300:5	0.3	0.6	1.2	2.4	-	0.045
525-401	400:5	0.3	0.3	0.6	1.2	-	0.057
525-501	500:5	0.3	0.3	0.3	0.6	-	0.067
525-601	600:5	0.3	0.3	0.6	1.2	-	0.113
525-751	750:5	0.3	0.3	0.6	0.6	1.2	0.141
525-801	800:5	0.3	0.3	0.3	0.6	1.2	0.150

# CURRENT TRANSFORMER

Model 530

Window Size 1.88" X 3.06"

**APPLICATION:**

Metering.

**FREQUENCY:**

50-400 Hz.

**INSULATION LEVEL:**

0.6 kV, BIL 10 kV full wave.

**CONTINUOUS THERMAL RATING FACTOR:**

1.33 at 30°C. amb.

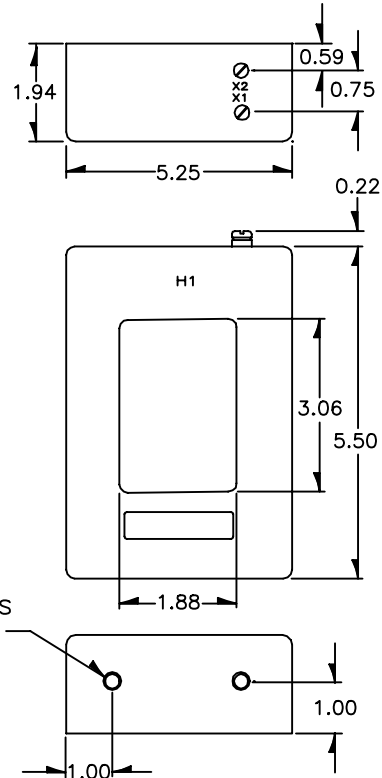
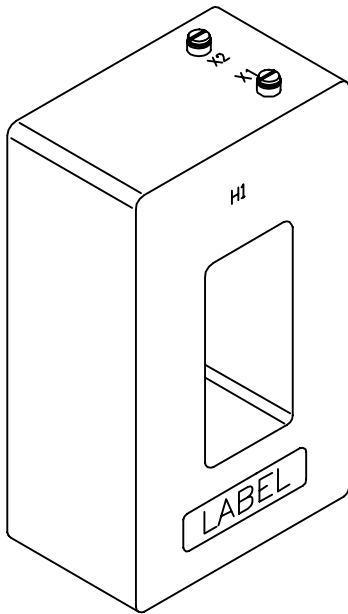
1.0 at 55°C. amb.

- Terminals are brass screws No. 10-32 with one flatwasher and lockwasher.
- Cast resin construction.
- Approximate weight 3.5 lbs.

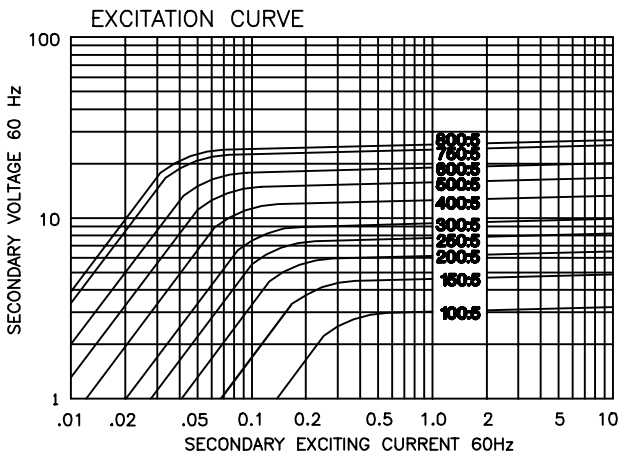
REGULATORY AGENCY APPROVALS



Manufactured to meet the requirements of ANSI/IEEE C57.13. Classified by U.L. in accordance with IEC 44-1



(2) MOUNTING INSERTS  
0.25-20 X .31 DEEP



CATALOG NUMBER	CURRENT RATIO	ANSI METERING CLASS AT 60 Hz					SECONDARY WINDING RESISTANCE (OHMS @ 75°C.)
		B0.1	B0.2	B0.5	B0.9	B1.8	
530-101	100:5	1.2	2.4	-	-	-	0.015
530-151	150:5	0.6	1.2	4.8	-	-	0.028
530-201	200:5	0.6	1.2	2.4	2.4	-	0.043
530-251	250:5	0.3	0.6	1.2	2.4	-	0.052
530-301	300:5	0.3	0.3	1.2	1.2	-	0.062
530-401	400:5	0.3	0.3	0.6	0.6	-	0.079
530-501	500:5	0.3	0.3	0.3	0.6	1.2	0.094
530-601	600:5	0.3	0.3	0.6	0.6	1.2	0.149
530-751	750:5	0.3	0.3	0.3	0.6	0.6	0.186
530-801	800:5	0.3	0.3	0.3	0.6	0.6	0.198

# CURRENT TRANSFORMER

Model 531

Window Size 4.06" X 3.06"

**APPLICATION:**

Metering.

**FREQUENCY:**

50-400 Hz.

**INSULATION LEVEL:**

0.6 kV, BIL 10 kV full wave.

**CONTINUOUS THERMAL RATING FACTOR:**

1.33 at 30°C. amb.

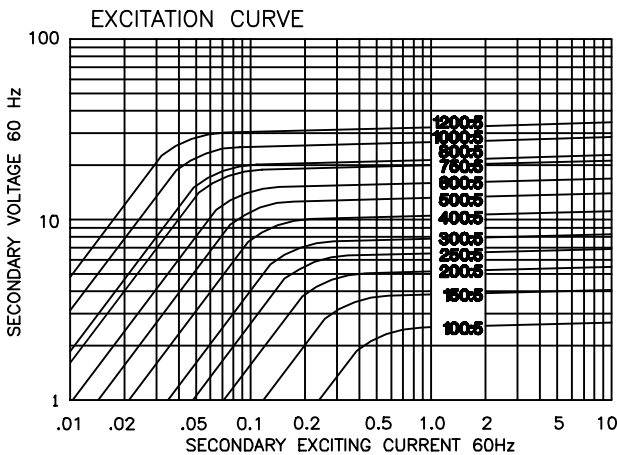
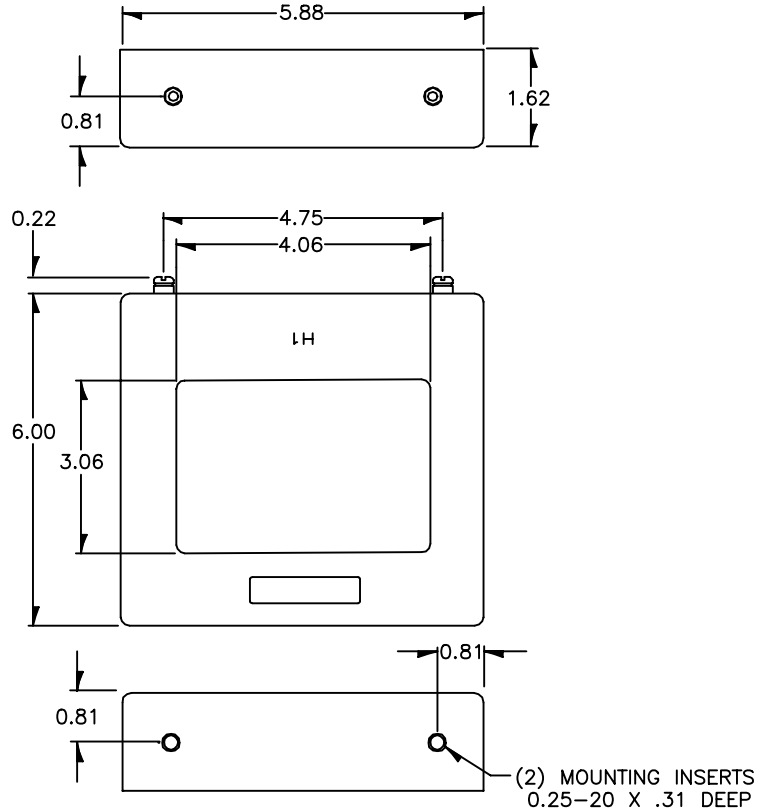
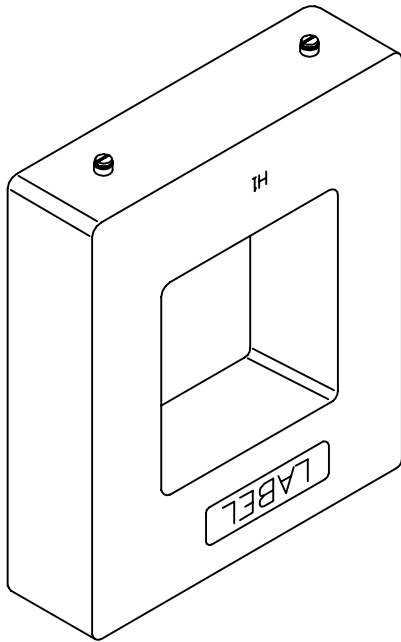
1.0 at 55°C. amb.

- Terminals are brass screws No. 8-32 with one flatwasher and lockwasher.
- Cast resin construction.
- Approximate weight 3 lbs.

REGULATORY AGENCY APPROVALS



Manufactured to meet the requirements of ANSI/IEEE C57.13. Classified by U.L. in accordance with IEC 44-1



CATALOG NUMBER	CURRENT RATIO	ANSI METERING CLASS AT 60 Hz					SECONDARY WINDING RESISTANCE (OHMS @ 75°C.)
		B0.1	B0.2	B0.5	B0.9	B1.8	
531-101	100 :5	4.8	4.8	-	-	-	.026
531-151	150 :5	2.4	2.4	4.8	-	-	.039
531-201	200 :5	1.2	2.4	4.8	4.8	-	.052
531-251	250 :5	1.2	1.2	2.4	4.8	4.8	.065
531-301	300 :5	0.6	1.2	2.4	2.4	4.8	.079
531-401	400 :5	0.6	0.6	1.2	2.4	2.4	.105
531-501	500 :5	0.3	0.6	0.6	1.2	2.4	.131
531-601	600 :5	0.3	0.3	0.6	1.2	1.2	.157
531-751	750 :5	0.3	0.3	0.6	0.6	1.2	.196
531-801	800 :5	0.3	0.3	0.6	0.6	1.2	.209
531-102	1000 :5	0.3	0.3	0.3	0.6	0.6	.262
531-122	1200 :5	0.3	0.3	0.3	0.3	0.6	.314



# CURRENT TRANSFORMER

Models 543, 544, 545, 546, 547, 548

Window Sizes 0.53" X 1.53"  
0.53" X 3.03"  
0.53" X 4.03"

**APPLICATION:**  
Relaying and metering.

**FREQUENCY:**  
60 Hz.

**INSULATION LEVEL:**  
0.6 kV, BIL 10 kV full wave.

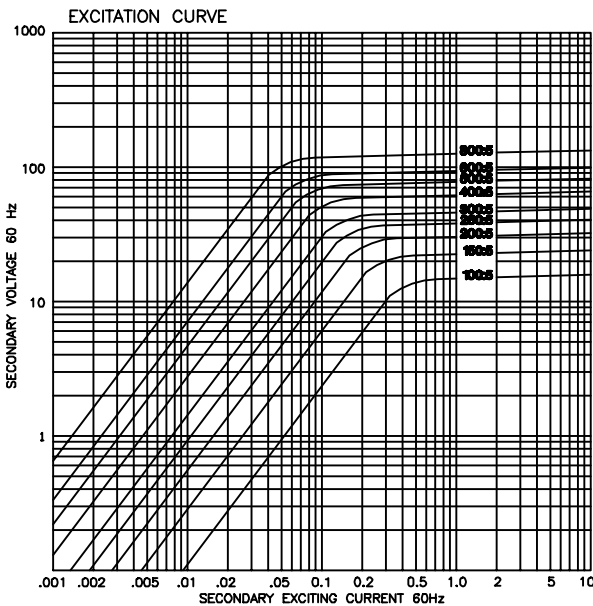
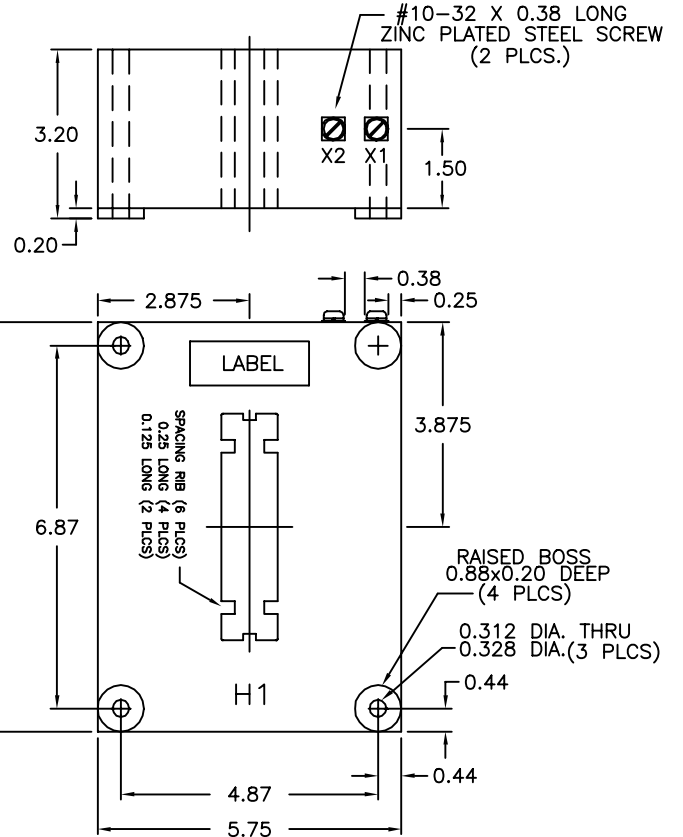
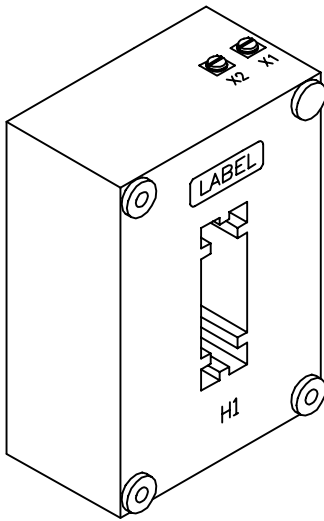
**CONTINUOUS THERMAL RATING FACTOR:**  
1.33 at 30°C. amb.  
1.0 at 55°C. amb.

- Terminals are 10-32 zinc plated steel screws with flat and lockwashers.
- Cast resin construction.
- Approximate weight 15-20 lbs.

REGULATORY AGENCY APPROVALS



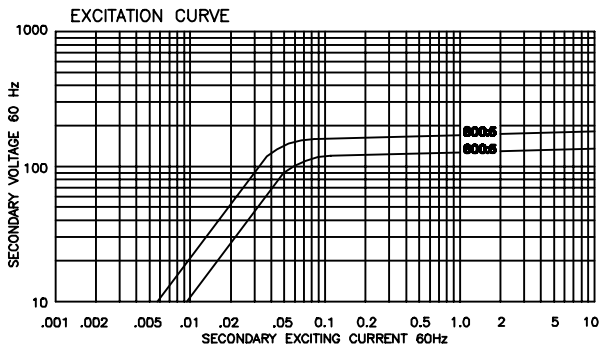
Manufactured to meet the requirements of ANSI/IEEE C57.13.  
Classified by U.L. in accordance with IEC 44-1



## CURRENT TRANSFORMER MODEL 543

Window Sizes 0.53" X 1.53"

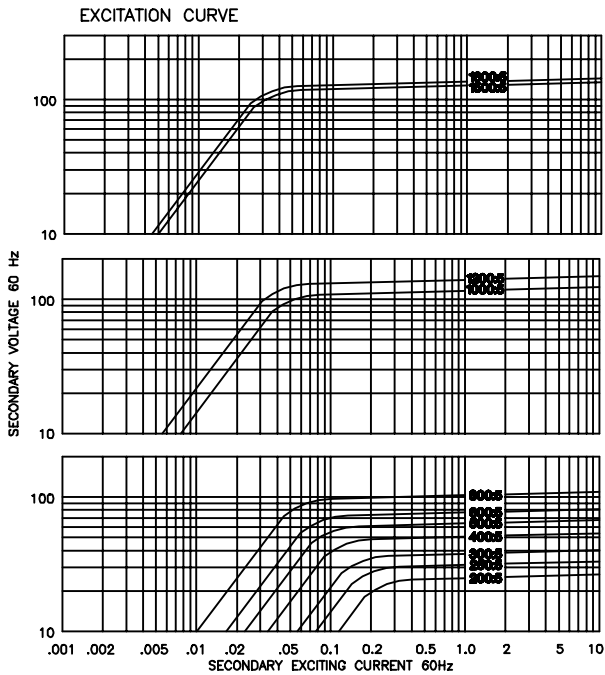
CATALOG NUMBER	CURRENT RATIO	RELAY CLASS	ANSI METERING CLASS AT 60 Hz		SECONDARY WINDING RESISTANCE (OHMS @ 75°C)
			B0.1	B0.2	
543-101	100:5	C10	1.2	2.4	0.045
543-151	150:5	C20	0.6	1.2	0.053
543-201	200:5	C20	0.6	0.6	0.089
543-251	250:5	C20	0.3	0.6	0.112
543-301	300:5	C20	0.3	0.3	0.134
543-401	400:5	C50	0.3	0.3	0.142
543-501	500:5	C50	0.3	0.3	0.281
543-601	600:5	C50	0.3	0.3	0.337
543-801	800:5	C50	0.3	0.3	0.564



## CURRENT TRANSFORMER MODEL 544

Window Sizes 0.53" X 1.53"

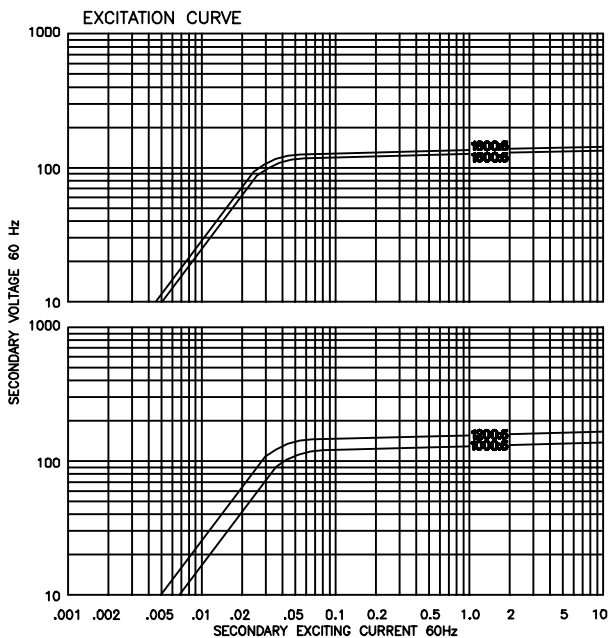
CATALOG NUMBER	CURRENT RATIO	RELAY CLASS	ANSI METERING CLASS AT 60 Hz		SECONDARY WINDING RESISTANCE (OHMS @ 75°C)
			B0.1	B0.2	
544-601	600:5	C100	0.3	0.3	0.398
544-801	800:5	C100	0.3	0.3	0.666



## CURRENT TRANSFORMER MODEL 545

Window Sizes 0.53" X 3.03"

CATALOG NUMBER	CURRENT RATIO	RELAY CLASS	ANSI METERING CLASS AT 60 Hz		SECONDARY WINDING RESISTANCE (OHMS @ 75°C)
			B0.1	B0.2	
545-201	200:5	C10	0.6	1.2	0.089
545-251	250:5	C10	0.6	1.2	0.112
545-301	300:5	C20	0.6	0.6	0.134
545-401	400:5	C20	0.3	0.6	0.179
545-501	500:5	C20	0.3	0.3	0.281
545-601	600:5	C20	0.3	0.3	0.337
545-801	800:5	C50	0.3	0.3	0.450
545-102	1000:5	C50	0.3	0.3	0.522
545-122	1200:5	C50	0.3	0.3	0.627
545-152	1500:5	C50	0.3	0.3	0.601
545-162	1600:5	C50	0.3	0.3	0.641

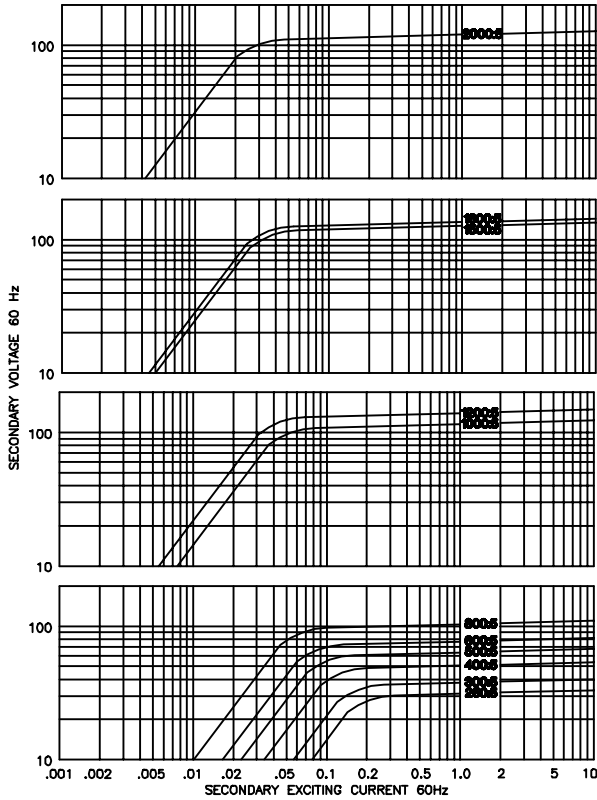


## CURRENT TRANSFORMER MODEL 546

Window Sizes 0.53" X 3.03"

CATALOG NUMBER	CURRENT RATIO	RELAY CLASS	ANSI METERING CLASS AT 60 Hz		SECONDARY WINDING RESISTANCE (OHMS @ 75°C)
			B0.1	B0.2	
546-102	1000:5	C100	0.3	0.3	0.446
546-122	1200:5	C100	0.3	0.3	0.675
546-152	1500:5	C100	0.3	0.3	0.480
546-162	1600:5	C100	0.3	0.3	0.512

EXCITATION CURVE

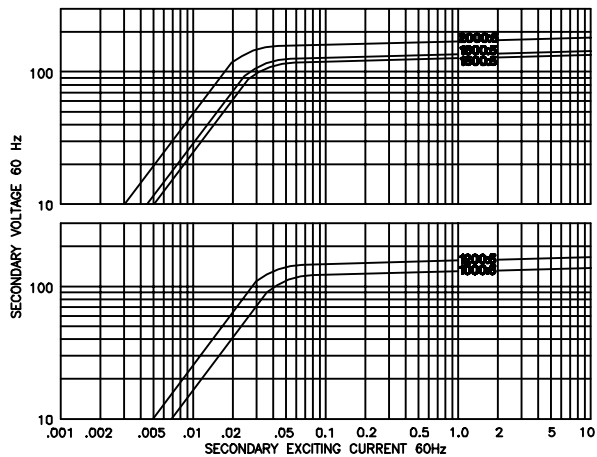


## CURRENT TRANSFORMER MODEL 547

*Window Sizes 0.53" X 4.03"*

CATALOG NUMBER	CURRENT RATIO	RELAY CLASS	ANSI METERING CLASS AT 60 Hz		SECONDARY WINDING RESISTANCE (OHMS @ 75°C)
			B0.1	B0.2	
547-251	250:5	C10	0.6	1.2	0.112
547-301	300:5	C20	0.6	0.6	0.134
547-401	400:5	C20	0.3	0.6	0.179
547-501	500:5	C20	0.3	0.3	0.281
547-601	600:5	C20	0.3	0.3	0.337
547-801	800:5	C50	0.3	0.3	0.450
547-102	1000:5	C50	0.3	0.3	0.522
547-122	1200:5	C50	0.3	0.3	0.627
547-152	1500:5	C50	0.3	0.3	0.601
547-162	1600:5	C50	0.3	0.3	0.641
547-202	2000:5	C50	0.3	0.3	0.513

EXCITATION CURVE



## CURRENT TRANSFORMER MODEL 548

*Window Sizes 0.53" X 4.03"*

CATALOG NUMBER	CURRENT RATIO	RELAY CLASS	ANSI METERING CLASS AT 60 Hz		SECONDARY WINDING RESISTANCE (OHMS @ 75°C)
			B0.1	B0.2	
548-102	1000:5	C100	0.3	0.3	0.446
548-122	1200:5	C100	0.3	0.3	0.675
548-152	1500:5	C100	0.3	0.3	0.480
548-162	1600:5	C100	0.3	0.3	0.512
548-202	2000:5	C100	0.3	0.3	0.640

# CURRENT TRANSFORMER

**Model 550**

*Window Sizes*

*Available up to 10" x 30"*

**APPLICATION:**  
Metering

**FREQUENCY:**  
50–400 Hz.

**INSULATION LEVEL:**  
0.6 kV, BIL 10 kV full wave.

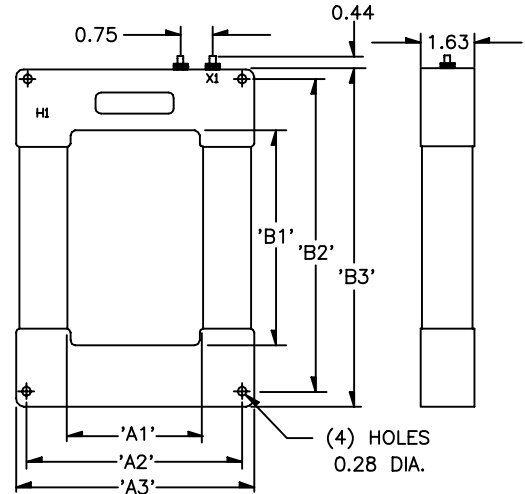
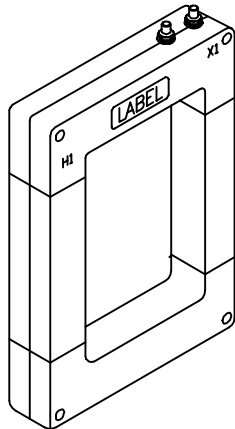
**CONTINUOUS THERMAL RATING FACTOR:**  
1.33 at 30°C. amb.  
1.0 at 55°C. amb.

- Terminals are brass studs No. 8–32 with one flatwasher, lockwasher and regular nut.
- Flexible leads are UL 1015 105°C, CSA approved, 18 AWG, 24" long.
- Approximate weight 8 to 18 lbs.

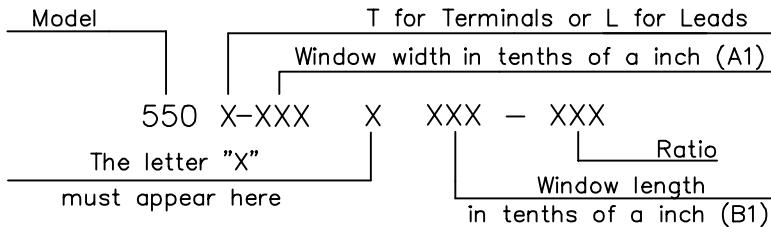
REGULATORY AGENCY APPROVALS



Manufactured to meet the requirements of ANSI/IEEE C57.13.  
Classified by U.L. in accordance with IEC 44–1



**HOW TO ORDER RECTANGULAR C.T.'S**



Example: 550T-041 X 117-122 is a 1200:5 Amp CT with a 4.1" X 11.7" window.

The accuracy table below is for the 550T-041 X 117. See page 32 for accuracy table for the 550T-101 X 117 and the 550T-101 X 301. Accuracies for other sizes are available from the factory. The dimensions in the table at the right are standard sizes. Other window lengths (B1) may be accommodated on special order. Window widths (A1) other than those listed are not available.

CURRENT RATIO AMPERES	VA FOR 1% CLASS	ANSI METERING CLASS AT 60 Hz		
		B0.1	B0.2	B0.5
300:5	1.5	4.8	4.8	—
400:5	2.5	2.4	4.8	4.8
500:5	5.0	1.2	2.4	4.8
600:5	7.5	1.2	2.4	2.4
750:5	15.0	1.2	1.2	2.4
800:5	15.0	0.6	1.2	2.4
1000:5	20.0	0.6	0.6	0.6
1200:5	25.0	0.6	0.6	0.6
1500:5	35.0	0.6	0.6	0.6
1600:5	40.0	0.6	0.6	0.6
2000:5	50.0	0.6	0.6	0.6
2500:5	60.0	0.6	0.6	0.6
3000:5	70.0	0.6	0.6	0.6
3500:5	80.0	0.6	0.6	0.6
4000:5	100.0	0.6	0.6	0.6
5000:5	100.0	0.6	0.6	0.6

DIMENSIONS						MAX. RATIO
'A1'	'A2'	'A3'	'B1'	'B2'	'B3'	
4.1	6.4	7.3	7.1	10.0	10.9	4000:5
4.1	6.4	7.3	11.7	14.5	15.4	8000:5
4.1	6.4	7.3	14.1	17.0	17.9	8000:5
4.1	6.4	7.3	18.1	21.0	21.9	8000:5
4.1	6.4	7.3	24.0	27.0	27.9	10000:5
4.1	6.4	7.3	30.1	33.0	33.9	10000:5
5.1	7.2	8.3	7.1	10.0	10.9	4000:5
5.1	7.2	8.3	11.7	14.5	15.4	8000:5
5.1	7.2	8.3	14.1	17.0	17.9	8000:5
5.1	7.2	8.3	18.1	21.0	21.9	8000:5
5.1	7.2	8.3	24.0	27.0	27.9	10000:5
5.1	7.2	8.3	30.1	33.0	33.9	10000:5
5.8	7.0	9.0	7.1	10.0	10.9	4000:5
5.8	7.0	9.0	11.7	14.5	15.4	8000:5
5.8	7.0	9.0	14.1	17.0	17.9	8000:5
5.8	7.0	9.0	18.1	21.0	21.9	8000:5
5.8	7.0	9.0	24.0	27.0	27.9	10000:5
5.8	7.0	9.0	30.1	33.0	33.9	10000:5
8.0	9.5	11.1	7.1	10.0	10.9	4000:5
8.0	9.5	11.1	11.7	14.5	15.4	8000:5
8.0	9.5	11.1	14.1	17.0	17.9	8000:5
8.0	9.5	11.1	18.1	21.0	21.9	8000:5
8.0	9.5	11.1	24.0	27.0	27.9	10000:5
8.0	9.5	11.1	30.1	33.0	33.9	10000:5
10.1	11.6	13.2	7.1	10.0	10.9	4000:5
10.1	11.6	13.2	11.7	14.5	15.4	8000:5
10.1	11.6	13.2	14.1	17.0	17.9	8000:5
10.1	11.6	13.2	18.1	21.0	21.9	8000:5
10.1	11.6	13.2	24.0	27.0	27.9	10000:5
10.1	11.6	13.2	30.1	33.0	33.9	10000:5

# ACCURACY TABLES

## Model 550T-101 X 117

CURRENT RATIO AMPERES	VA FOR 1% CLASS	ANSI METERING CLASS AT 60 Hz		
		B0.1	B0.2	B0.5
400:5	2.5	4.8	4.8	—
500:5	5.0	2.4	4.8	—
600:5	7.5	1.2	2.4	4.8
750:5	15.0	1.2	2.4	4.8
800:5	15.0	0.6	1.2	2.4
1000:5	20.0	0.6	0.6	1.2
1200:5	25.0	0.6	0.6	0.6
1500:5	35.0	0.6	0.6	0.6
1600:5	40.0	0.6	0.6	0.6
2000:5	50.0	0.6	0.6	0.6
2500:5	60.0	0.6	0.6	0.6
3000:5	70.0	0.6	0.6	0.6
3500:5	80.0	0.6	0.6	0.6
4000:5	100.0	0.6	0.6	0.6
5000:5	100.0	0.6	0.6	0.6

## Model 550T-101 X 301

CURRENT RATIO AMPERES	VA FOR 1% CLASS	ANSI METERING CLASS AT 60 Hz		
		B0.1	B0.2	B0.5
500:5	15.0	1.2	2.4	4.8
600:5	15.0	0.6	1.2	2.4
750:5	20.0	0.6	1.2	2.4
800:5	20.0	0.6	0.6	1.2
1000:5	25.0	0.6	0.6	1.2
1200:5	25.0	0.6	0.6	0.6
1500:5	30.0	0.6	0.6	0.6
1600:5	35.0	0.6	0.6	0.6
2000:5	40.0	0.6	0.6	0.6
2500:5	45.0	0.6	0.6	0.6
3000:5	50.0	0.6	0.6	0.6
3500:5	60.0	0.6	0.6	0.6
4000:5	70.0	0.6	0.6	0.6
5000:5	80.0	0.6	0.6	0.6

# CURRENT TRANSFORMER

Model 560

Window Size 3.25" X 4.25"

**APPLICATION:**

Metering.

**FREQUENCY:**

50-400 Hz.

**INSULATION LEVEL:**

0.6 kV, BIL 10 kV full wave.

**INSULATION SYSTEM:**

Temperature Class H (180°C.)

**CONTINUOUS THERMAL RATING FACTOR:**

1.33 at 30°C. amb.

1.0 at 55°C. amb.

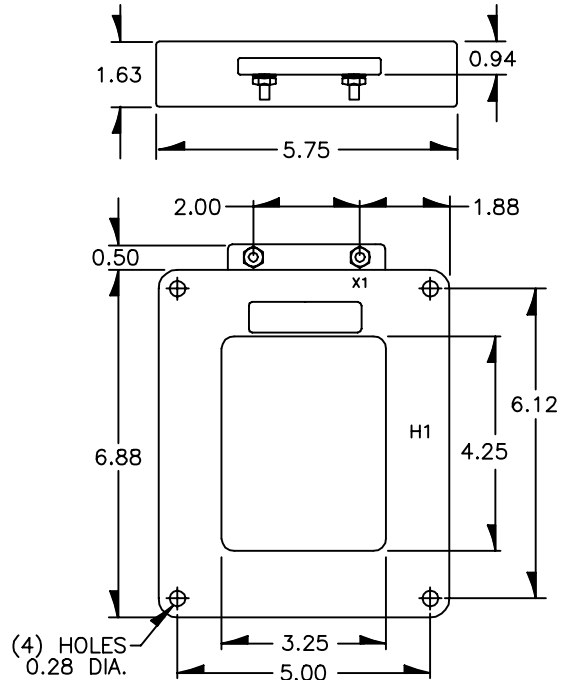
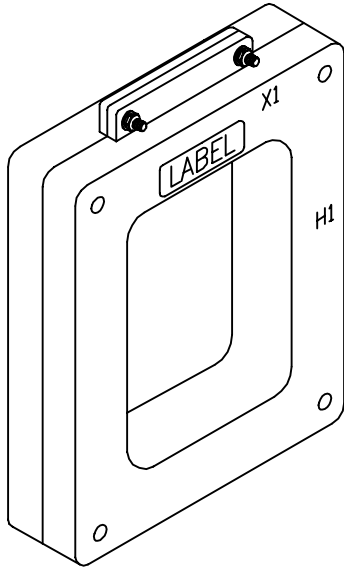
- Terminals are brass studs No. 10-32 with one flatwasher, lockwasher and regular nut.
- Approximate weight 6 lbs.

REGULATORY AGENCY APPROVALS

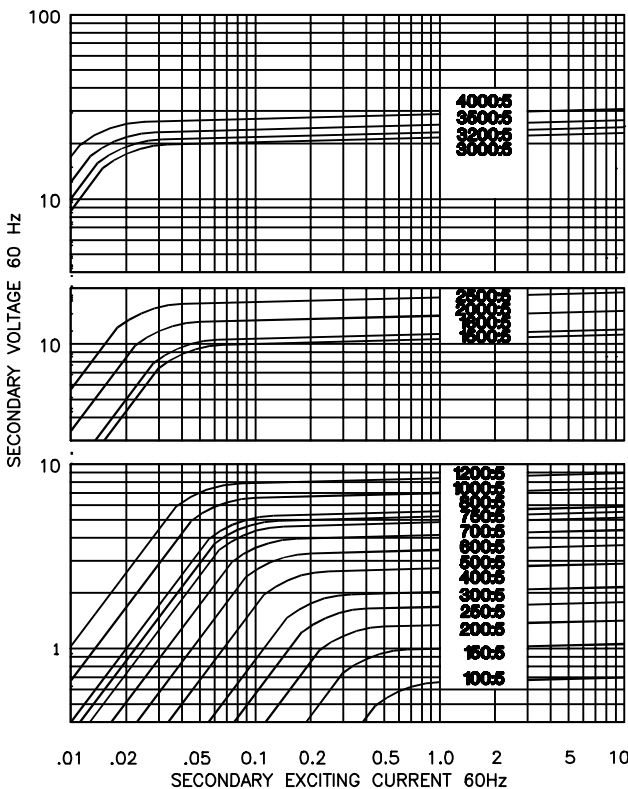


Manufactured to meet the requirements of ANSI/IEEE C57.13.  
Classified by U.L. in accordance with IEC 44-1

Approved for revenue metering by Industry Canada. No. AE-0659(\*)



EXCITATION CURVE



CATALOG NUMBER	CURRENT RATIO	ANSI METERING CLASS AT 60 Hz					SECONDARY WINDING RESISTANCE (OHMS @ 75°C.)
		B0.1	B0.2	B0.5	B0.9	B1.8	
560-101	100:5	2.4	-	-	-	-	0.012
560-151	150:5	1.2	2.4	-	-	-	0.017
560-201	200:5	1.2	1.2	-	-	-	0.023
560-251	250:5*	0.6	1.2	2.4	-	-	0.038
560-301	300:5*	0.6	0.6	1.2	-	-	0.045
560-401	400:5*	0.6	0.6	1.2	2.4	-	0.095
560-501	500:5*	0.3	0.3	0.6	1.2	2.4	0.118
560-601	600:5*	0.3	0.3	0.6	1.2	1.2	0.142
560-751	750:5*	0.3	0.3	0.3	0.6	1.2	0.178
560-801	800:5*	0.3	0.3	0.3	0.6	0.6	0.190
560-102	1000:5*	0.3	0.3	0.3	0.6	0.6	0.211
560-122	1200:5*	0.3	0.3	0.3	0.3	0.6	0.253
560-152	1500:5*	0.3	0.3	0.3	0.3	0.6	0.368
560-162	1600:5*	0.3	0.3	0.3	0.3	0.6	0.262
560-202	2000:5*	0.3	0.3	0.3	0.3	0.6	0.328
560-252	2500:5*	0.3	0.3	0.3	0.3	0.3	0.410
560-302	3000:5*	0.3	0.3	0.3	0.3	0.3	0.347
560-322	3200:5*	0.3	0.3	0.3	0.3	0.3	0.370
560-402	4000:5*	0.3	0.3	0.3	0.3	0.3	0.462

# CURRENT TRANSFORMER

Model 561

Window Size 3.25" X 4.25"

**APPLICATION:**

Relaying and metering.

**FREQUENCY:**

50-400 Hz.

**INSULATION LEVEL:**

0.6 kV, BIL 10 kV full wave.

**INSULATION SYSTEM:**

Temperature Class H (180°C.)

**CONTINUOUS THERMAL RATING FACTOR:**

1.33 at 30°C. amb.

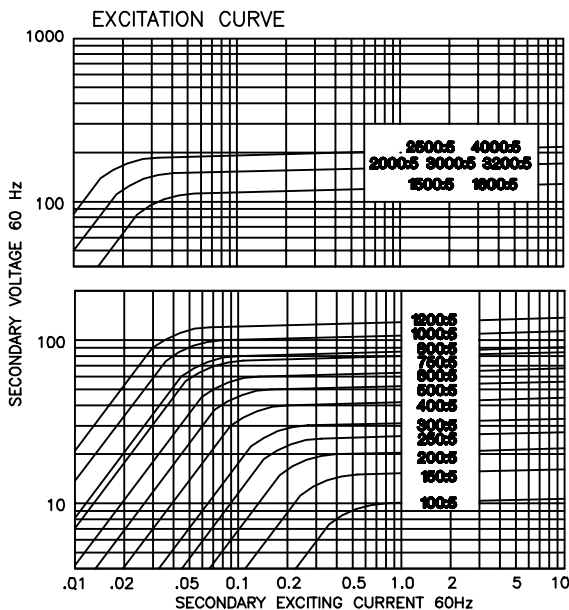
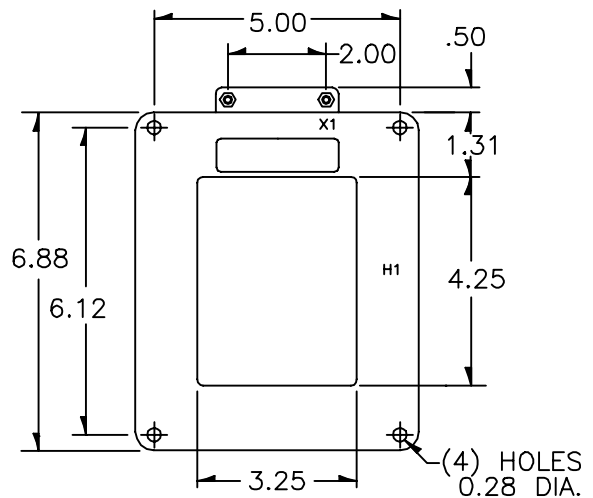
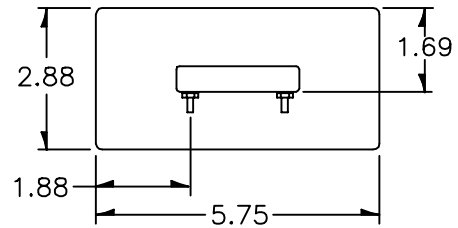
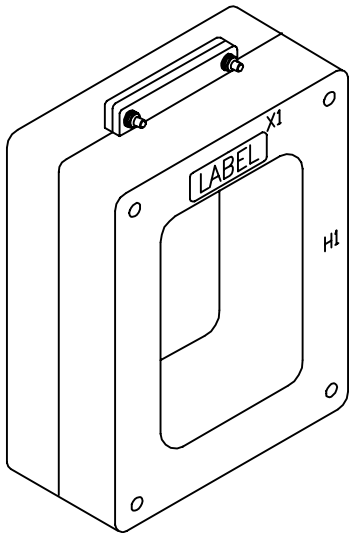
1.0 at 55°C. amb.

- Terminals are brass studs No. 10-32 with one flatwasher, lockwasher and regular nut.
- Approximate weight 8 lbs.

REGULATORY AGENCY APPROVALS



Manufactured to meet the requirements of ANSI/IEEE C57.13. Classified by U.L. in accordance with IEC 44-1



CATALOG NUMBER	CURRENT RATIO	RELAY CLASS	ANSI METERING CLASS AT 60 Hz					SECONDARY WINDING RESISTANCE (OHMS @ 75°C.)
			B0.1	B0.2	B0.5	B0.9	B1.8	
561-101	100:5	-	2.4	2.4	-	-	-	0.021
561-151	150:5	C 10	1.2	2.4	-	-	-	0.032
561-201	200:5	C 10	0.6	1.2	2.4	2.4	-	0.043
561-251	250:5	C 20	0.6	0.6	1.2	2.4	-	0.054
561-301	300:5	C 20	0.3	0.6	1.2	1.2	2.4	0.064
561-401	400:5	C 20	0.3	0.3	0.6	1.2	1.2	0.086
561-501	500:5	C 20	0.3	0.3	0.3	0.6	0.6	0.170
561-601	600:5	C 50	0.3	0.3	0.3	0.3	0.6	0.161
561-751	750:5	C 50	0.3	0.3	0.3	0.3	0.6	0.202
561-801	800:5	C 50	0.3	0.3	0.3	0.3	0.6	0.340
561-102	1000:5	C 50	0.3	0.3	0.3	0.3	0.3	0.425
561-122	1200:5	C100	0.3	0.3	0.3	0.3	0.3	0.510
561-152	1500:5	C 50	0.3	0.3	0.3	0.3	0.3	0.766
561-162	1600:5	C 50	0.3	0.3	0.3	0.3	0.3	0.817
561-202	2000:5	C 50	0.3	0.3	0.3	0.3	0.3	1.021
561-252	2500:5	C100	0.3	0.3	0.3	0.3	0.3	1.276
561-302	3000:5	C 20	0.3	0.3	0.3	0.3	0.3	1.396
561-322	3200:5	C 20	0.3	0.3	0.3	0.3	0.3	1.489
561-402	4000:5	C 20	0.3	0.3	0.3	0.3	0.3	1.861

# CURRENT TRANSFORMER

Model 562

Window Size 4.00" X 5.38"

**APPLICATION:**

Metering.

**FREQUENCY:**

50-400 Hz.

**INSULATION LEVEL:**

0.6 kV, BIL 10 kV full wave.

**INSULATION SYSTEM:**

Temperature Class H (180°C.)

**CONTINUOUS THERMAL RATING FACTOR:**

1.33 at 30°C. amb.

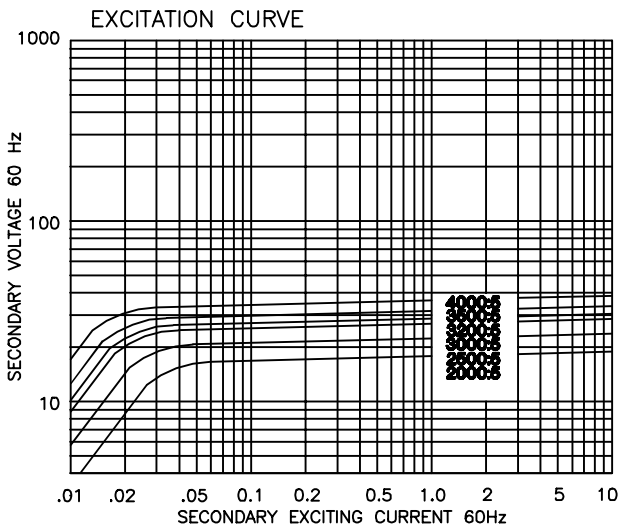
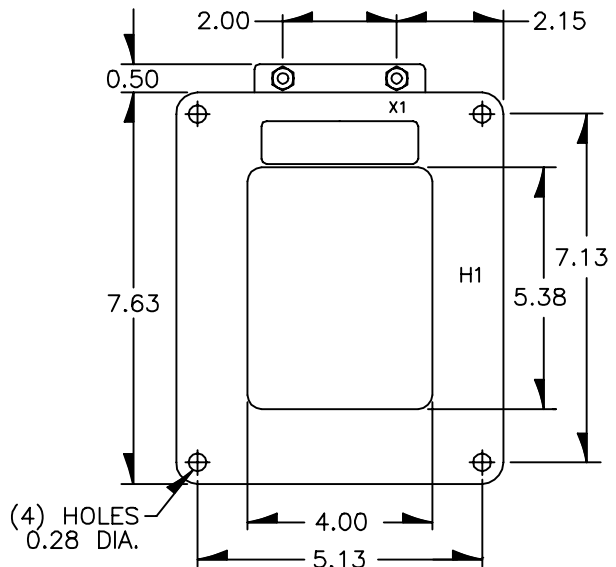
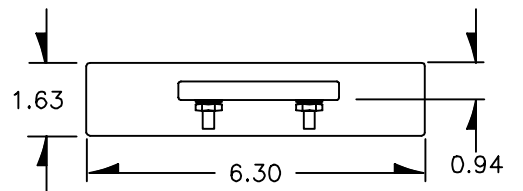
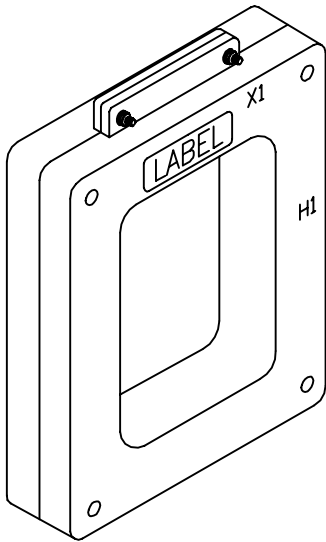
1.0 at 55°C. amb.

- Terminals are brass studs No. 10-32 with one flatwasher, lockwasher and regular nut.
- Approximate weight 8 lbs.

REGULATORY AGENCY APPROVALS



Manufactured to meet the requirements of ANSI/IEEE C57.13.  
Classified by U.L. in accordance with IEC 44-1  
Approved for revenue metering by Industry Canada. No. AE-0659



CATALOG NUMBER	CURRENT RATIO	ANSI METERING CLASS AT 60 Hz					SECONDARY WINDING RESISTANCE (OHMS @ 75°C.)
		B0.1	B0.2	B0.5	B0.9	B1.8	
562-202	2000:5	0.3	0.3	0.3	0.6	0.6	0.345
562-252	2500:5	0.3	0.3	0.3	0.3	0.6	0.431
562-302	3000:5	0.3	0.3	0.3	0.3	0.6	0.517
562-322	3200:5	0.3	0.3	0.3	0.3	0.6	0.552
562-352	3500:5	0.3	0.3	0.3	0.3	0.3	0.604
562-402	4000:5	0.3	0.3	0.3	0.3	0.3	0.600



# CURRENT TRANSFORMER

**Model 563**

*Window Size 4.00" X 5.38"*

**APPLICATION:**

Relaying and metering.

**FREQUENCY:**

50–400 Hz.

**INSULATION LEVEL:**

0.6 kV, BIL 10 kV full wave.

**INSULATION SYSTEM:**

Temperature Class H (180°C.)

**CONTINUOUS THERMAL RATING FACTOR:**

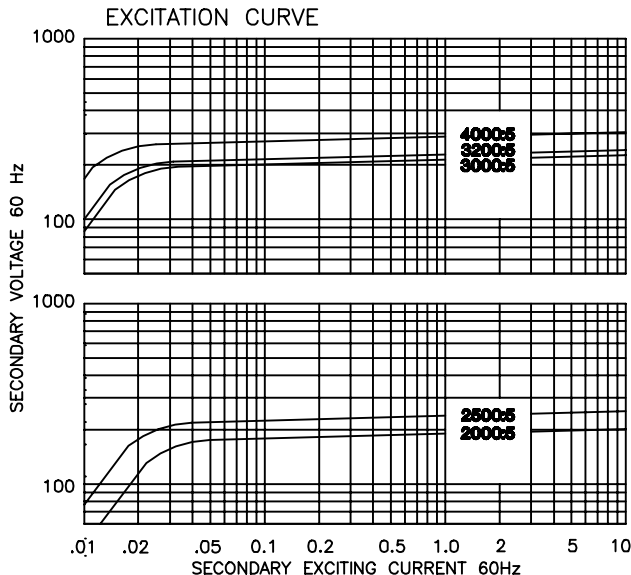
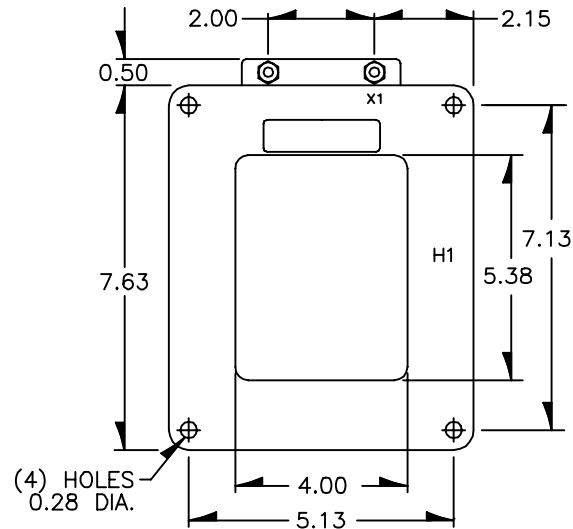
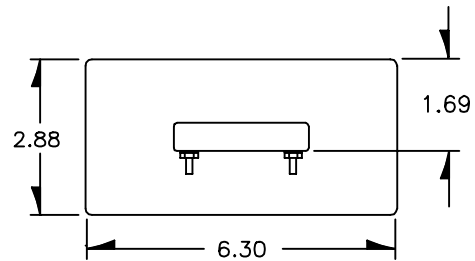
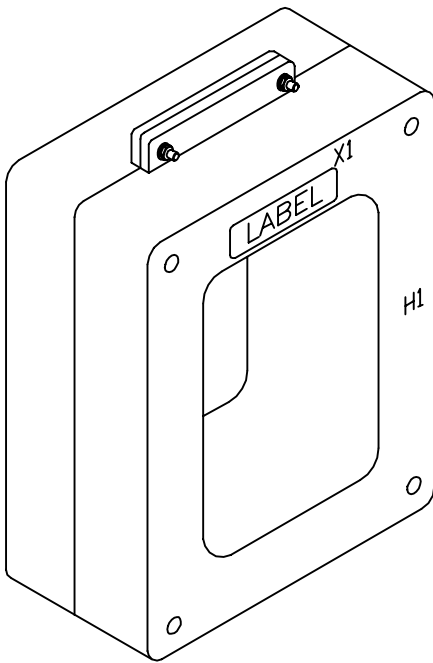
1.33 at 30°C. amb.  
1.0 at 55°C. amb.

- Terminals are brass studs No. 10–32 with one flatwasher, lockwasher and regular nut.
- Approximate weight 12 lbs.

REGULATORY AGENCY APPROVALS



Manufactured to meet the requirements of ANSI/IEEE C57.13. Classified by U.L. in accordance with IEC 44–1



CATALOG NUMBER	CURRENT RATIO	RELAY CLASS	ANSI METERING CLASS AT 60 Hz					SECONDARY WINDING RESISTANCE (OHMS @ 75°C.)
			B0.1	B0.2	B0.5	B0.9	B1.8	
563–202	2000:5	C50	0.3	0.3	0.3	0.3	0.3	0.995
563–252	2500:5	C50	0.3	0.3	0.3	0.3	0.3	1.244
563–302	3000:5	C20	0.3	0.3	0.3	0.3	0.3	1.382
563–322	3200:5	C50	0.3	0.3	0.3	0.3	0.3	1.474
563–402	4000:5	C50	0.3	0.3	0.3	0.3	0.3	1.842

# CURRENT TRANSFORMER

**Model 566**

*Window Size 2.75" X 2.25"*

**APPLICATION:**  
Metering.

**FREQUENCY:**  
50-400 Hz.

**INSULATION LEVEL:**  
0.6 kV, BIL 10 kV full wave.

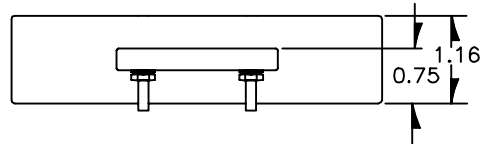
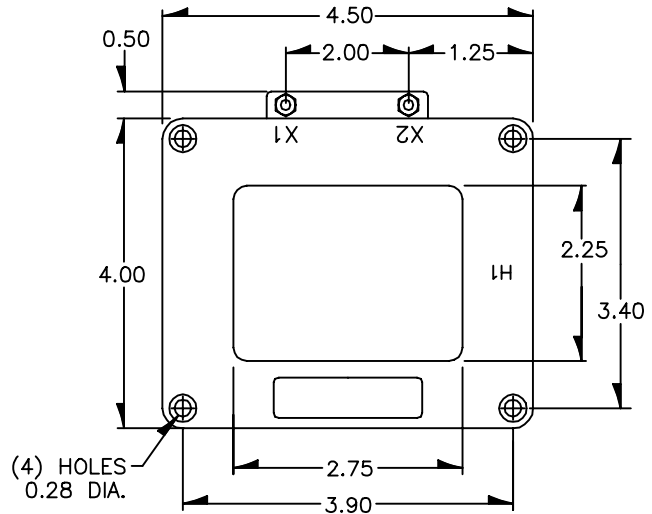
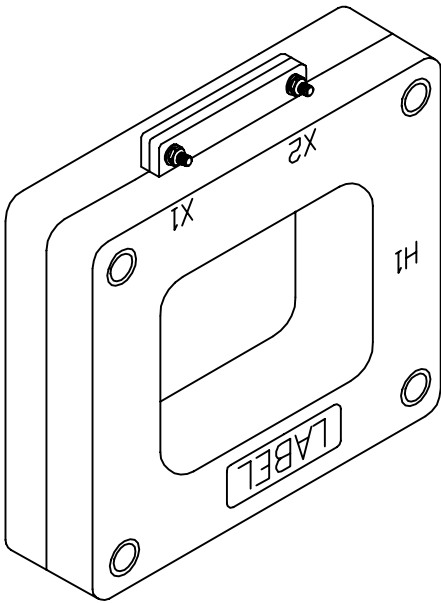
**CONTINUOUS THERMAL RATING FACTOR:**  
1.33 at 30°C. amb.  
1.0 at 55°C. amb.

- Terminals are brass studs No. 10-32 with one flatwasher, lockwasher and regular nut.
- Approximate weight 2.5 lbs.

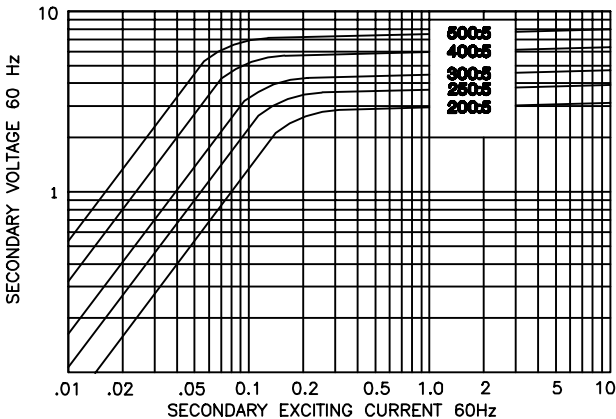
REGULATORY AGENCY APPROVALS



Manufactured to meet the requirements of ANSI/IEEE C57.13.  
Classified by U.L. in accordance with IEC 44-1



EXCITATION CURVE



CATALOG NUMBER	CURRENT RATIO	ANSI METERING CLASS AT 60 Hz					SECONDARY WINDING RESISTANCE (OHMS @ 75°C.)
		B0.1	B0.2	B0.5	B0.9	B1.8	
566-201	200:5	1.2	2.4	-	-	-	0.038
566-251	250:5	0.6	1.2	-	-	-	0.030
566-301	300:5	0.6	1.2	2.4	-	-	0.036
566-401	400:5	0.6	1.2	2.4	-	-	0.059
566-501	500:5	0.6	0.6	1.2	2.4	-	0.101

# CURRENT TRANSFORMERS

Models 567TL, 567TS

Window Size 4.75" X 3.75"

**APPLICATION:**

Metering.

**FREQUENCY:**

50–400 Hz.

**INSULATION LEVEL:**

0.6 kV, BIL 10 kV full wave.

**CONTINUOUS THERMAL RATING FACTOR:**

1.33 at 30°C. amb.

1.0 at 55°C. amb.

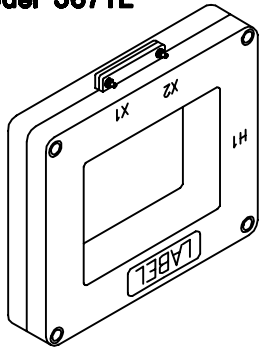
- TL—Terminals are brass studs No. 10–32 with one flatwasher, lockwasher and regular nut.
- TS—Terminals are brass screws No. 10–32 with one flatwasher.
- Approximate weight 4 lbs.

REGULATORY AGENCY APPROVALS

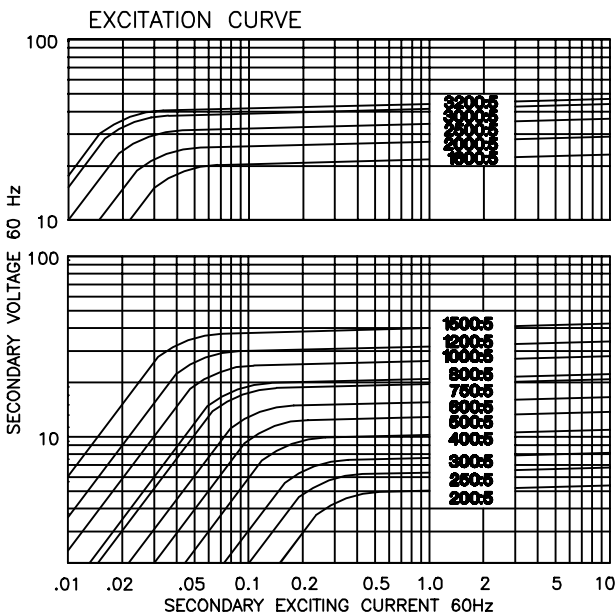
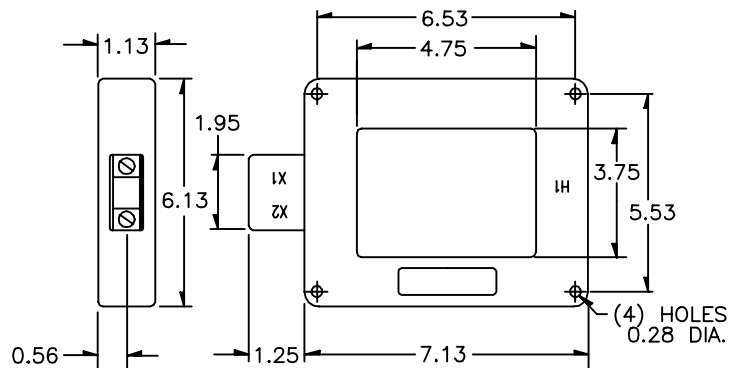
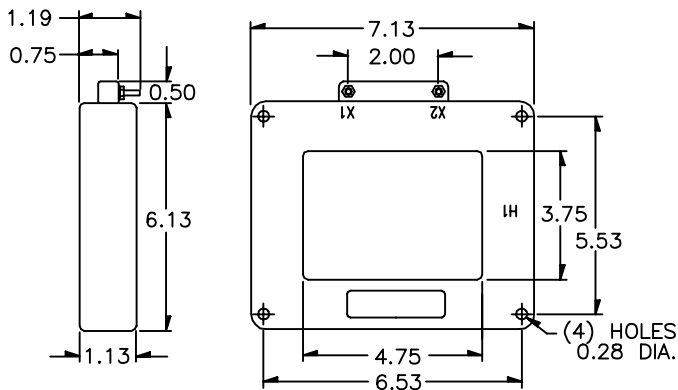
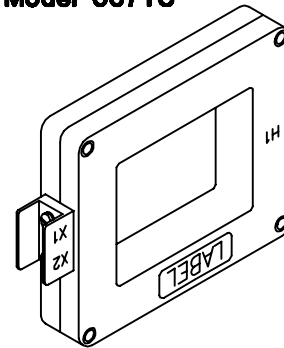


Manufactured to meet the requirements of ANSI/IEEE C57.13. Classified by U.L. in accordance with IEC 44–1

**Model 567TL**



**Model 567TS**



CATALOG NUMBER	CURRENT RATIO	ANSI METERING CLASS AT 60 Hz					SECONDARY WINDING RESISTANCE (OHMS @ 75°C)
		B0.1	B0.2	B0.5	B0.9	B1.8	
567**201	200:5	2.4	2.4	—	—	—	0.038
567**251	250:5	1.2	2.4	—	—	—	0.048
567**301	300:5	1.2	1.2	2.4	—	—	0.061
567**401	400:5	0.6	1.2	2.4	2.4	—	0.078
567**501	500:5	0.6	0.6	1.2	2.4	—	0.098
567**601	600:5	0.6	0.6	1.2	1.2	2.4	0.117
567**751	750:5	0.3	0.6	0.6	1.2	2.4	0.147
567**801	800:5	0.3	0.6	0.6	1.2	1.2	0.157
567**102	1000:5	0.3	0.3	0.6	0.6	1.2	0.196
567**122	1200:5	0.3	0.3	0.3	0.6	0.6	0.235
567**152	1500:5	0.3	0.3	0.3	0.3	0.6	0.368
567**162	1600:5	0.3	0.3	0.3	0.6	0.6	0.264
567**202	2000:5	0.3	0.3	0.3	0.3	0.6	0.330
567**252	2500:5	0.3	0.3	0.3	0.3	0.3	0.413
567**302	3000:5	0.3	0.3	0.3	0.3	0.3	0.616
567**322	3200:5	0.3	0.3	0.3	0.3	0.3	0.657

\*\*NOTE: When ordering, prefix Cat. No. with model designation required i.e., 567TL–201 or 567TS–201.

# CURRENT TRANSFORMERS

Models 568TL, 568TS

Window Size 7.45" X 3.75"

**APPLICATION:**

Metering.

**FREQUENCY:**

50–400 Hz.

**INSULATION LEVEL:**

0.6 kV, BIL 10 kV full wave.

**CONTINUOUS THERMAL RATING FACTOR:**

1.33 at 30°C. amb.

1.0 at 55°C. amb.

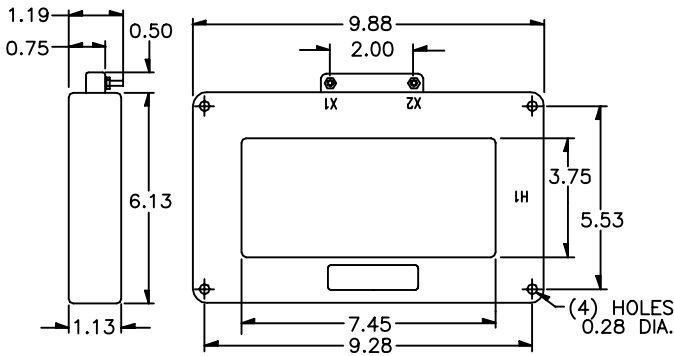
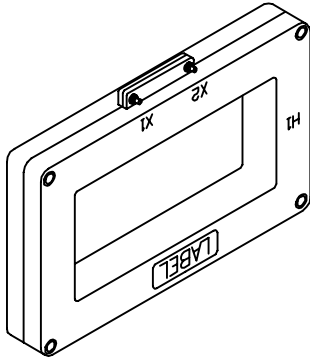
- TL—Terminals are brass studs No. 10–32 with one flatwasher, lockwasher and regular nut.
- TS—Terminals are brass screws No. 10–32 with one flatwasher.
- Approximate weight 4 lbs.

REGULATORY AGENCY APPROVALS

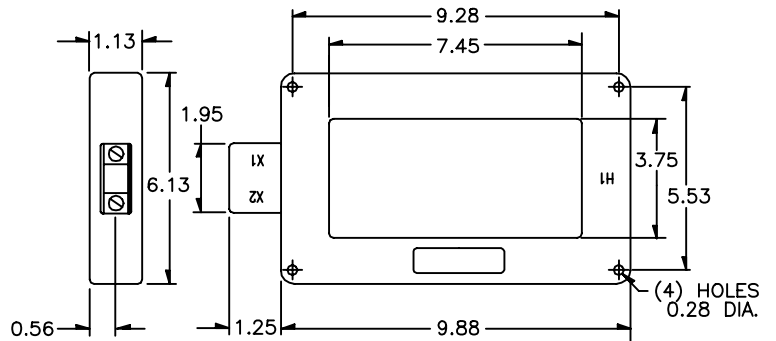
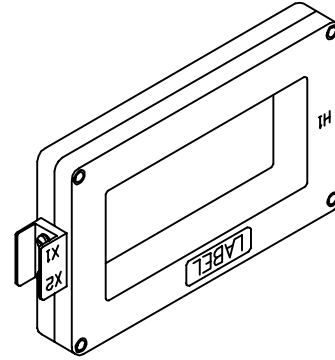


Manufactured to meet the requirements of ANSI/IEEE C57.13. Classified by U.L. in accordance with IEC 44–1

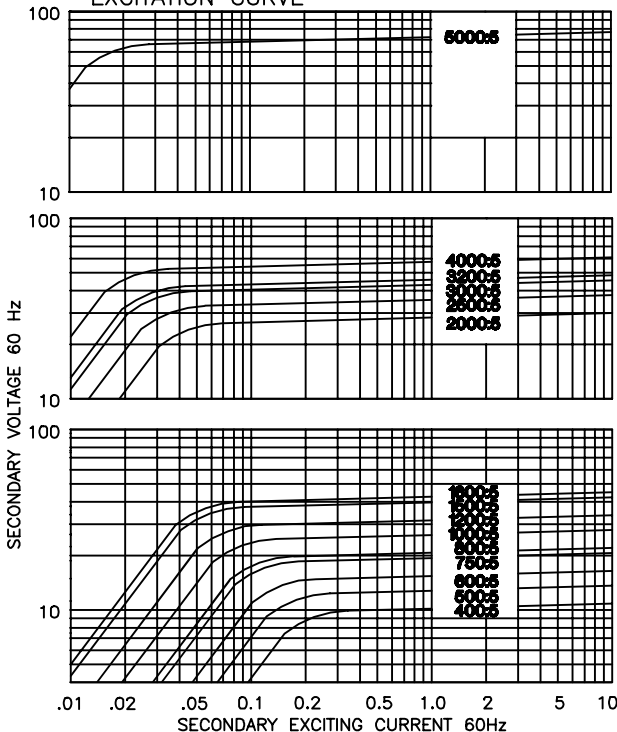
**Model 568TL**



**Model 568TS**



**EXCITATION CURVE**



CATALOG NUMBER	CURRENT RATIO	ANSI METERING CLASS AT 60 Hz					SECONDARY WINDING RESISTANCE (OHMS @ 75°C.)
		B0.1	B0.2	B0.5	B0.9	B1.8	
568**401	400:5	1.2	1.2	2.4	—	—	0.078
568**501	500:5	0.6	1.2	2.4	—	—	0.098
568**601	600:5	0.6	0.6	1.2	2.4	2.4	0.117
568**751	750:5	0.6	0.6	1.2	1.2	2.4	0.147
568**801	800:5	0.6	0.6	1.2	1.2	2.4	0.157
568**102	1000:5	0.3	0.3	0.6	1.2	1.2	0.196
568**122	1200:5	0.3	0.3	0.6	0.6	1.2	0.235
568**152	1500:5	0.3	0.3	0.3	0.6	0.6	0.294
568**162	1600:5	0.3	0.3	0.3	0.6	0.6	0.313
568**202	2000:5	0.3	0.3	0.3	0.6	0.6	0.417
568**252	2500:5	0.3	0.3	0.3	0.3	0.6	0.419
568**302	3000:5	0.3	0.3	0.3	0.3	0.6	0.625
568**322	3200:5	0.3	0.3	0.3	0.3	0.6	0.536
568**402	4000:5	0.3	0.3	0.3	0.3	0.6	0.834
568**502	5000:5	0.3	0.3	0.3	0.3	0.6	0.872

\*\*NOTE: When ordering, prefix Cat. No. with model designation required i.e., 568TL–201 or 568TS–201.

# CURRENT TRANSFORMERS

Models 569TL, 569TS

Window Size 9.50" X 3.75"

**APPLICATION:**

Metering.

**FREQUENCY:**

50-400 Hz.

**INSULATION LEVEL:**

0.6 kV, BIL 10 kV full wave.

**CONTINUOUS THERMAL RATING FACTOR:**

1.33 at 30°C. amb.

1.0 at 55°C. amb.

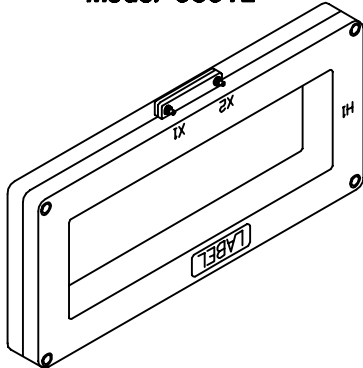
- TL—Terminals are brass studs No. 10-32 with one flatwasher, lockwasher and regular nut.
- TS—Terminals are brass screws No. 10-32 with one lockwasher.
- Approximate weight 5 lbs.

REGULATORY AGENCY APPROVALS

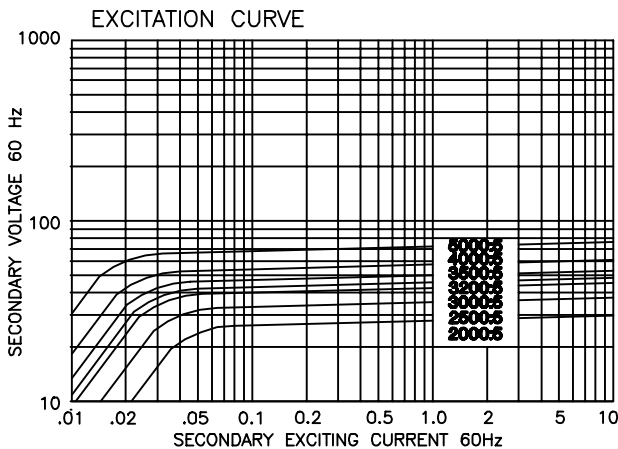
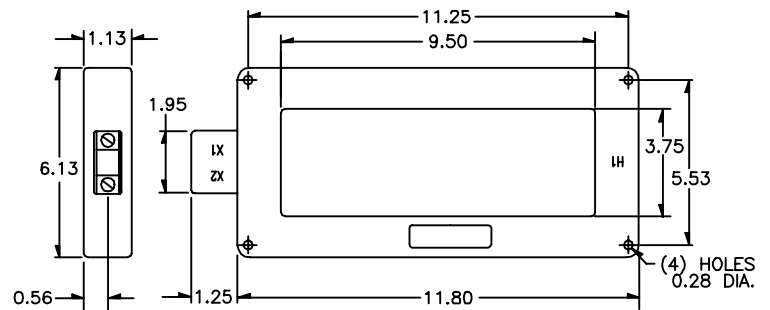
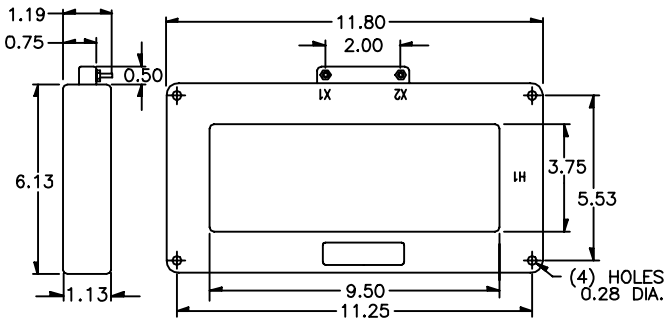
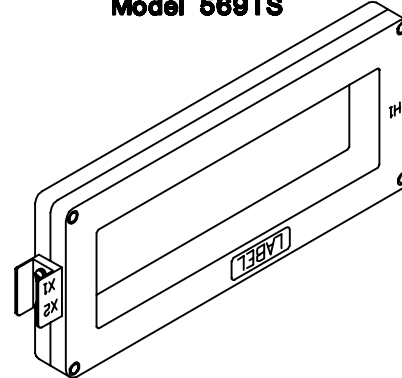


Manufactured to meet the requirements of ANSI/IEEE C57.13. Classified by U.L. in accordance with IEC 44-1

Model 569TL



Model 569TS



CATALOG NUMBER	CURRENT RATIO	ANSI METERING CLASS AT 60 Hz					SECONDARY WINDING RESISTANCE (OHMS @ 75°C.)
		B0.1	B0.2	B0.5	B0.9	B1.8	
569**202	2000:5	0.3	0.3	0.3	0.6	0.6	0.417
569**252	2500:5	0.3	0.3	0.3	0.3	0.6	0.521
569**302	3000:5	0.3	0.3	0.3	0.3	0.6	0.625
569**322	3200:5	0.3	0.3	0.3	0.3	0.6	0.667
569**352	3500:5	0.3	0.3	0.3	0.3	0.6	0.730
569**402	4000:5	0.3	0.3	0.3	0.3	0.6	0.834
569**502	5000:5	0.3	0.3	0.3	0.3	0.6	1.042

\*\*NOTE: When ordering, prefix Cat. No. with model designation required i.e., 569TL-201 or 569TS-201.

# CURRENT TRANSFORMER

Model 570

Window Size 3.56" X 0.79"

**APPLICATION:**  
Metering.

**FREQUENCY:**  
50–400 Hz.

**INSULATION LEVEL:**  
0.6 kV, BIL 10 kV full wave.

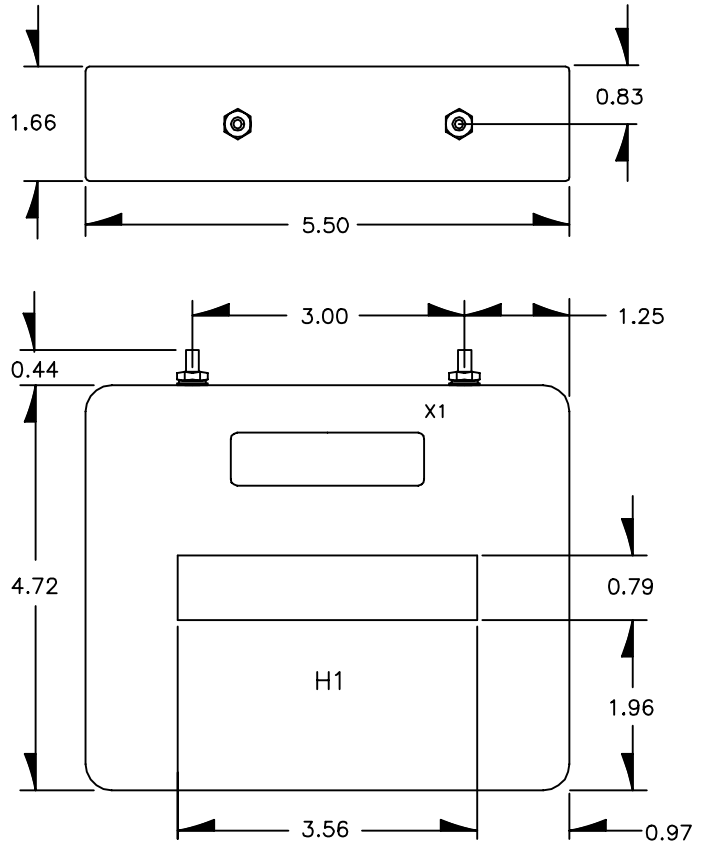
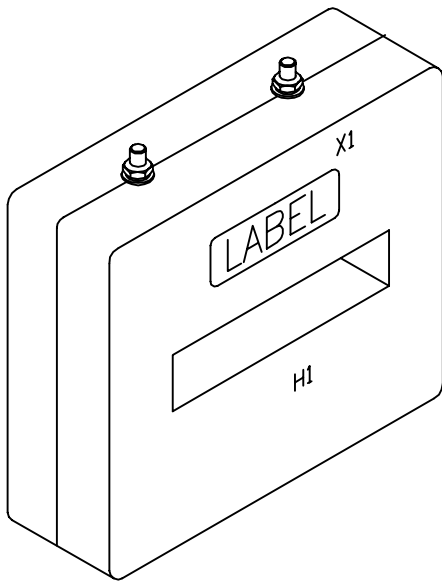
**CONTINUOUS THERMAL CURRENT RATING FACTOR:**  
1.33 at 30°C. amb.  
1.0 at 55°C. amb.

- Terminals are brass studs No. 10–32 with one flatwasher, lockwasher and regular nut.
- Approximate weight 3 lbs.

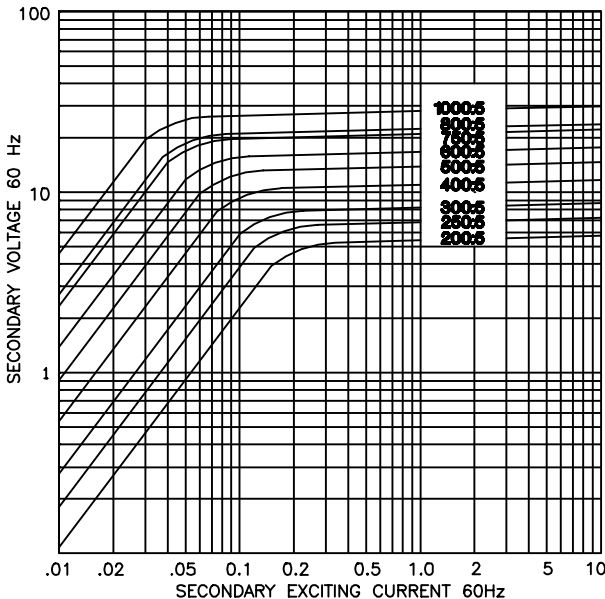
REGULATORY AGENCY APPROVALS



Manufactured to meet the requirements of ANSI/IEEE C57.13.  
Classified by U.L. in accordance with IEC 44–1



EXCITATION CURVE



CATALOG NUMBER	CURRENT RATIO	ANSI METERING CLASS AT 60 Hz					SECONDARY WINDING RESISTANCE (OHMS @ 75°C.)
		B0.1	B0.2	B0.5	B0.9	B1.8	
570–201	200:5	1.2	2.4	–	–	–	0.042
570–251	250:5	1.2	1.2	2.4	–	–	0.053
570–301	300:5	0.6	1.2	1.2	2.4	–	0.063
570–401	400:5	0.6	0.6	1.2	2.4	2.4	0.084
570–501	500:5	0.3	0.6	1.2	1.2	2.4	0.106
570–601	600:5	0.3	0.3	0.6	1.2	1.2	0.127
570–751	750:5	0.3	0.3	0.6	0.6	1.2	0.158
570–801	800:5	0.3	0.3	0.6	0.6	1.2	0.169
570–102	1000:5	0.3	0.3	0.3	0.6	0.6	0.211

# CURRENT TRANSFORMER

Model 571

Window Size 3.58" X 4.13"

**APPLICATION:**  
Metering.

**FREQUENCY:**  
50-400 Hz.

**INSULATION LEVEL:**  
0.6 kV, BIL 10 kV full wave.

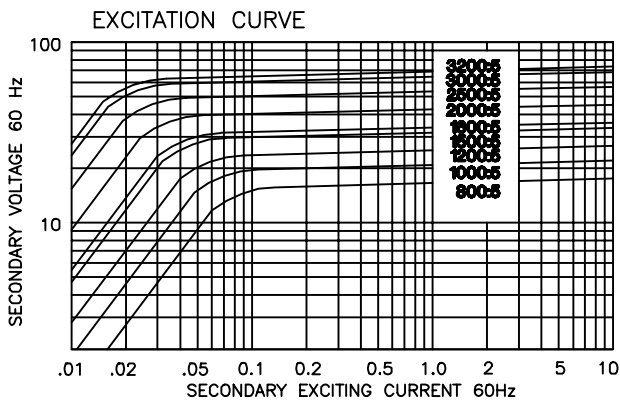
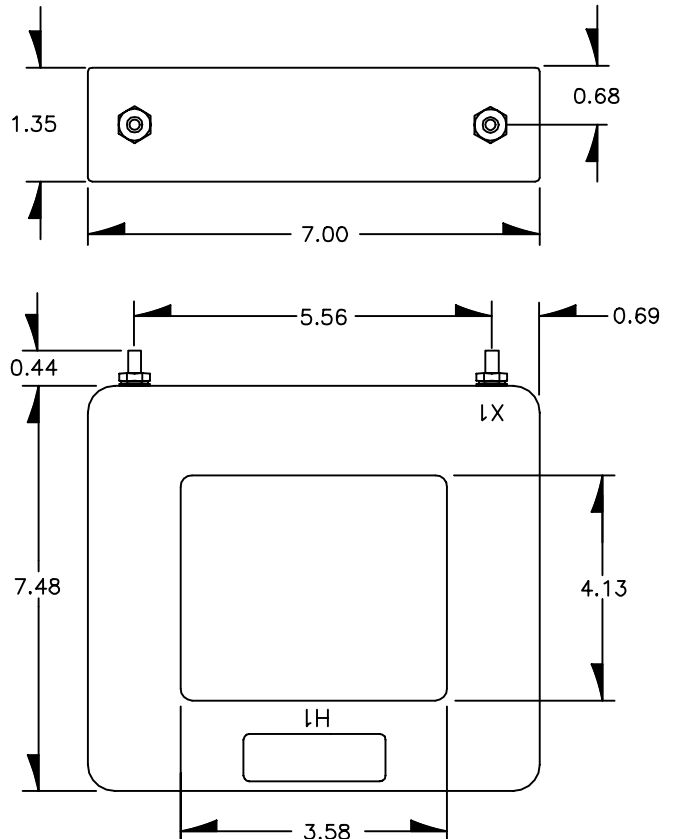
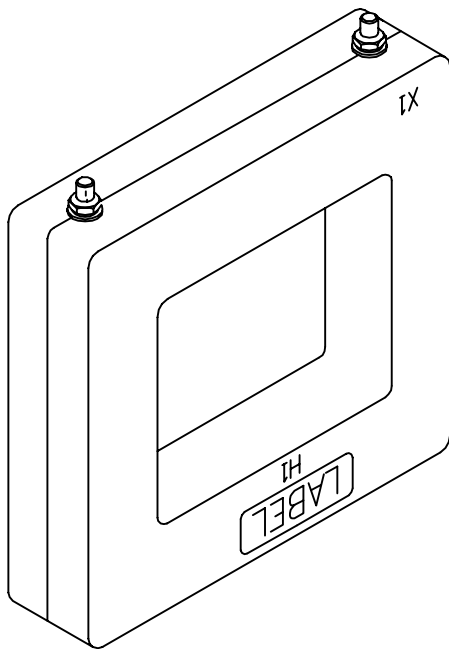
**CONTINUOUS THERMAL RATING FACTOR:**  
1.33 at 30°C. amb.  
1.0 at 55°C. amb.

- Terminals are brass studs No. 10-32 with one flatwasher, lockwasher and regular nut.
- Approximate weight 4 lbs.

REGULATORY AGENCY APPROVALS



Manufactured to meet the requirements of ANSI/IEEE C57.13.  
Classified by U.L. in accordance with IEC 44-1



CATALOG NUMBER	CURRENT RATIO	ANSI METERING CLASS AT 60 Hz					SECONDARY WINDING RESISTANCE (OHMS @ 75°C.)
		B0.1	B0.2	B0.5	B0.9	B1.8	
571-801	800:5	0.6	0.6	0.6	1.2	2.4	0.143
571-102	1000:5	0.3	0.3	0.6	0.6	1.2	0.179
571-122	1200:5	0.3	0.3	0.6	0.6	1.2	0.215
571-152	1500:5	0.3	0.3	0.3	0.6	0.6	0.337
571-162	1600:5	0.3	0.3	0.3	0.6	0.6	0.360
571-202	2000:5	0.3	0.3	0.3	0.3	0.6	0.497
571-252	2500:5	0.3	0.3	0.3	0.3	0.3	0.622
571-302	3000:5	0.3	0.3	0.3	0.3	0.3	0.746
571-322	3200:5	0.3	0.3	0.3	0.3	0.3	0.872

# CURRENT TRANSFORMER

Model 572

Window Size 4.66" X 4.16"

**APPLICATION:**  
Metering.

**FREQUENCY:**  
50-400 Hz.

**INSULATION LEVEL:**  
0.6 kV, BIL 10 kV full wave.

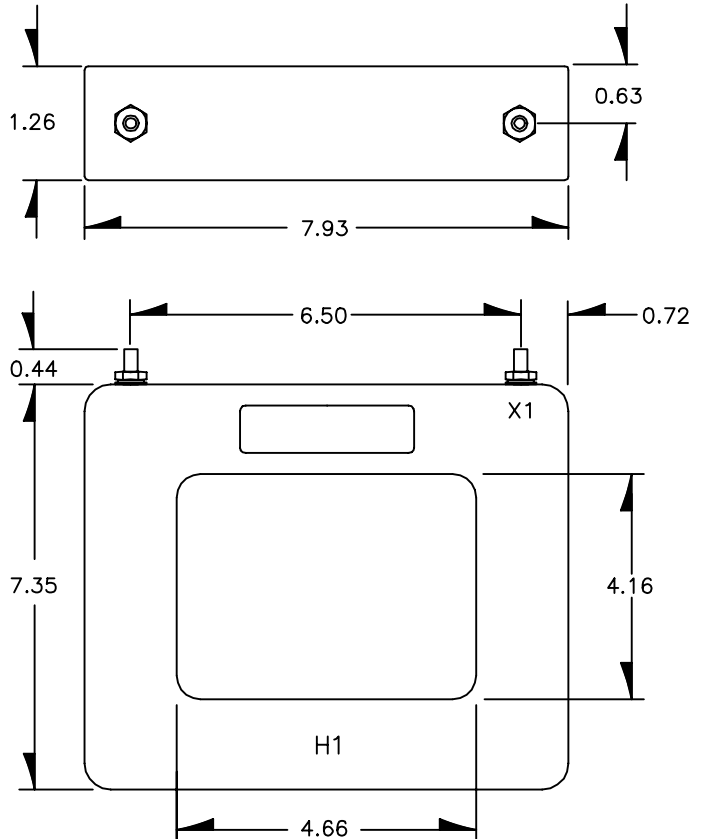
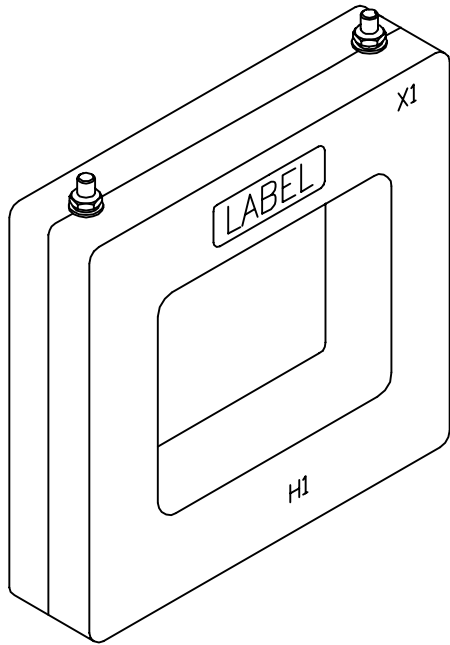
**CONTINUOUS THERMAL RATING FACTOR:**  
1.33 at 30°C. amb.  
1.0 at 55°C. amb.

- Terminals are brass studs No. 10-32 with one flatwasher, lockwasher and regular nut.
- Approximate weight 6 lbs.

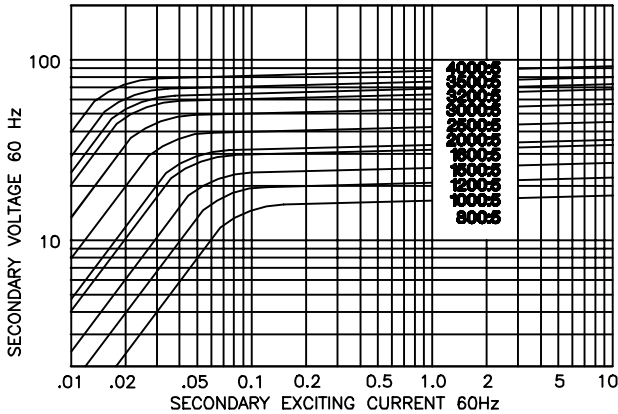
REGULATORY AGENCY APPROVALS



Manufactured to meet the requirements of ANSI/IEEE C57.13.  
Classified by U.L. in accordance with IEC 44-1



EXCITATION CURVE



CATALOG NUMBER	CURRENT RATIO	ANSI METERING CLASS AT 60 Hz					SECONDARY WINDING RESISTANCE (OHMS @ 75°C.)
		B0.1	B0.2	B0.5	B0.9	B1.8	
572-801	800:5	0.6	0.6	1.2	1.2	2.4	0.143
572-102	1000:5	0.3	0.6	0.6	1.2	1.2	0.179
572-122	1200:5	0.3	0.3	0.6	0.6	1.2	0.215
572-152	1500:5	0.3	0.3	0.3	0.6	0.6	0.269
572-162	1600:5	0.3	0.3	0.3	0.6	0.6	0.287
572-202	2000:5	0.3	0.3	0.3	0.3	0.6	0.497
572-252	2500:5	0.3	0.3	0.3	0.3	0.3	0.622
572-302	3000:5	0.3	0.3	0.3	0.3	0.3	0.746
572-322	3200:5	0.3	0.3	0.3	0.3	0.3	0.796
572-352	3500:5	0.3	0.3	0.3	0.3	0.3	0.954
572-402	4000:5	0.3	0.3	0.3	0.3	0.3	1.090



# CURRENT TRANSFORMER

Model 573

Window Size 3.43" X 5.00"

**APPLICATION:**  
Metering.

**FREQUENCY:**  
50-400 Hz.

**INSULATION LEVEL:**  
0.6 kV, BIL 10 kV full wave.

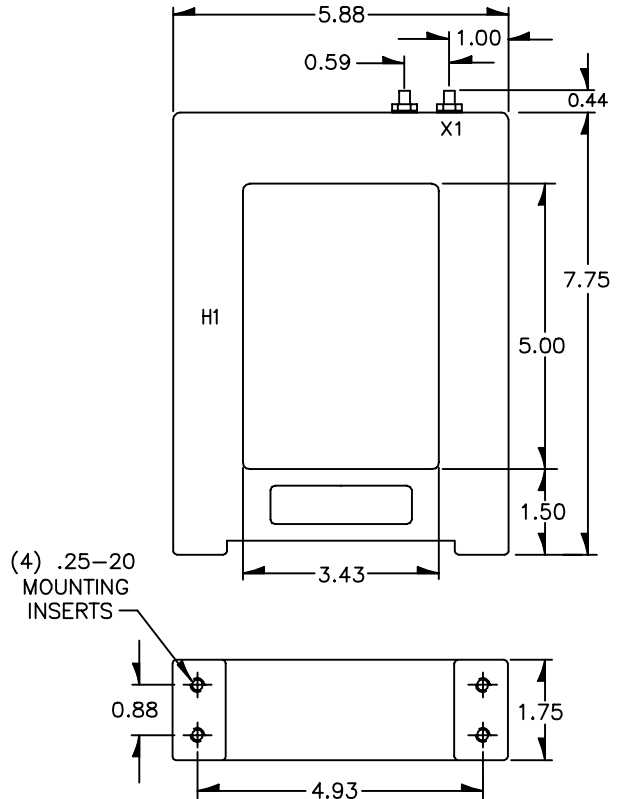
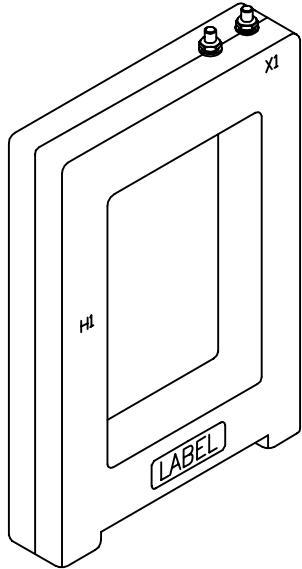
**CONTINUOUS THERMAL RATING FACTOR:**  
1.33 at 30°C. amb.  
1.0 at 55°C. amb.

- Terminals are brass studs No. 10-32 with one flatwasher, lockwasher and regular nut.
- Approximate weight 12 lbs.

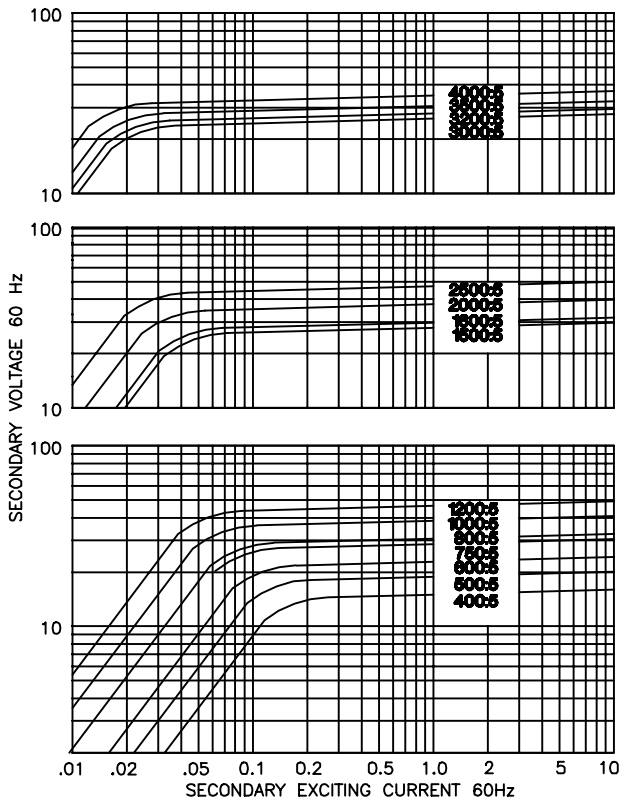
REGULATORY AGENCY APPROVALS



Manufactured to meet the requirements of ANSI/IEEE C57.13.  
Classified by U.L. in accordance with IEC 44-1



EXCITATION CURVE



CATALOG NUMBER	CURRENT RATIO	ANSI METERING CLASS AT 60 Hz					SECONDARY WINDING RESISTANCE (OHMS @ 75°C.)
		B0.1	B0.2	B0.5	B0.9	B1.8	
573-401	400:5	0.6	1.2	1.2	2.4	-	0.094
573-501	500:5	0.6	0.6	1.2	1.2	2.4	0.118
573-601	600:5	0.3	0.6	0.6	1.2	2.4	0.141
573-751	750:5	0.3	0.3	0.6	0.6	1.2	0.176
573-801	800:5	0.3	0.3	0.3	0.6	1.2	0.188
573-102	1000:5	0.3	0.3	0.3	0.6	0.6	0.235
573-122	1200:5	0.3	0.3	0.3	0.3	0.6	0.282
573-152	1500:5	0.3	0.3	0.3	0.3	0.6	0.257
573-162	1600:5	0.3	0.3	0.3	0.3	0.3	0.275
573-202	2000:5	0.3	0.3	0.3	0.3	0.3	0.383
573-252	2500:5	0.3	0.3	0.3	0.3	0.3	0.479
573-302	3000:5	0.3	0.3	0.3	0.3	0.3	0.453
573-322	3200:5	0.3	0.3	0.3	0.3	0.3	0.483
573-352	3500:5	0.3	0.3	0.3	0.3	0.3	0.599
573-402	4000:5	0.3	0.3	0.3	0.3	0.3	0.685

# CURRENT TRANSFORMER

**Model 574**

*Window Size 0.75" X 2.25"*

**APPLICATION:**

Metering.

**FREQUENCY:**

50-400 Hz.

**INSULATION LEVEL:**

0.6 kV, BIL 10 kV full wave.

**CONTINUOUS THERMAL RATING FACTOR:**

1.33 at 30°C. amb.

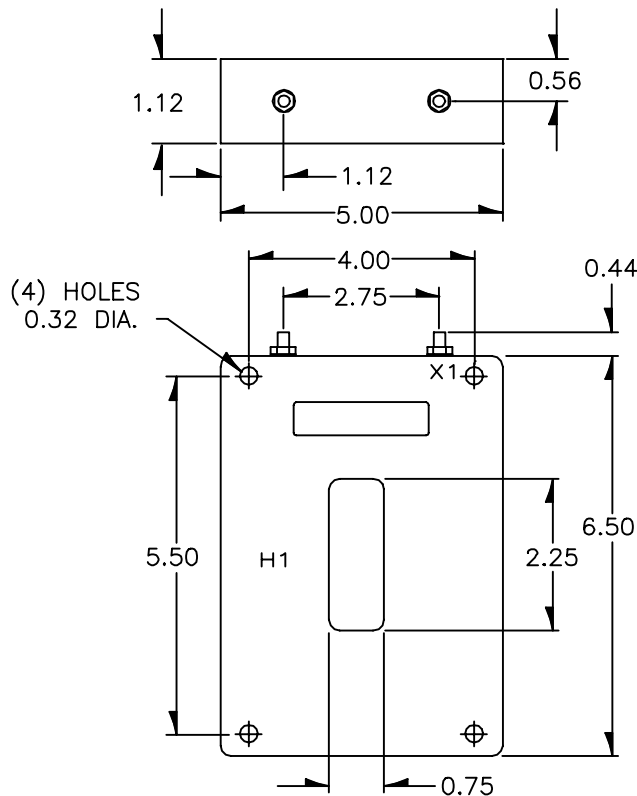
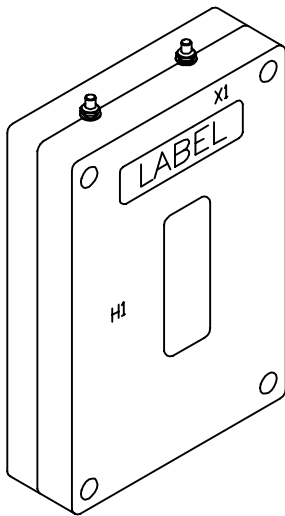
1.0 at 55°C. amb.

- Terminals are brass studs No. 10-32 with one flatwasher, lockwasher and regular nut.
- Approximate weight 2.5 lbs.

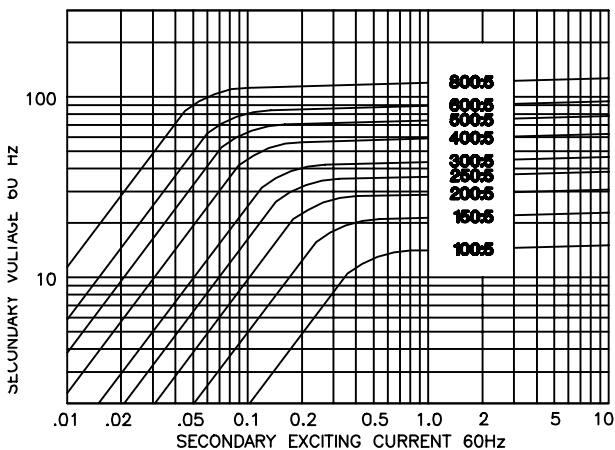
REGULATORY AGENCY APPROVALS



Manufactured to meet the requirements of ANSI/IEEE C57.13.  
Classified by U.L. in accordance with IEC 44-1



EXCITATION CURVE



CATALOG NUMBER	CURRENT RATIO	ANSI METERING CLASS AT 60 Hz		SECONDARY WINDING RESISTANCE
		B0.1	B0.2	
574-101	100:5	2.4	2.4	0.032
574-151	150:5	1.2	2.4	0.055
574-201	200:5	1.2	1.2	0.067
574-251	250:5	0.6	1.2	0.094
574-301	300:5	0.6	0.6	0.101
574-401	400:5	0.6	0.6	0.212
574-501	500:5	0.6	0.6	0.265
574-601	600:5	0.6	0.6	0.319
574-801	800:5	0.3	0.3	0.425

# CURRENT TRANSFORMER

Model 575

Window Size 0.75" X 3.25"

**APPLICATION:**

Metering.

**FREQUENCY:**

50-400 Hz

**INSULATION LEVEL:**

0.6 kV, BIL 10 kV full wave.

**CONTINUOUS THERMAL RATING FACTOR:**

1.33 at 30°C. amb.

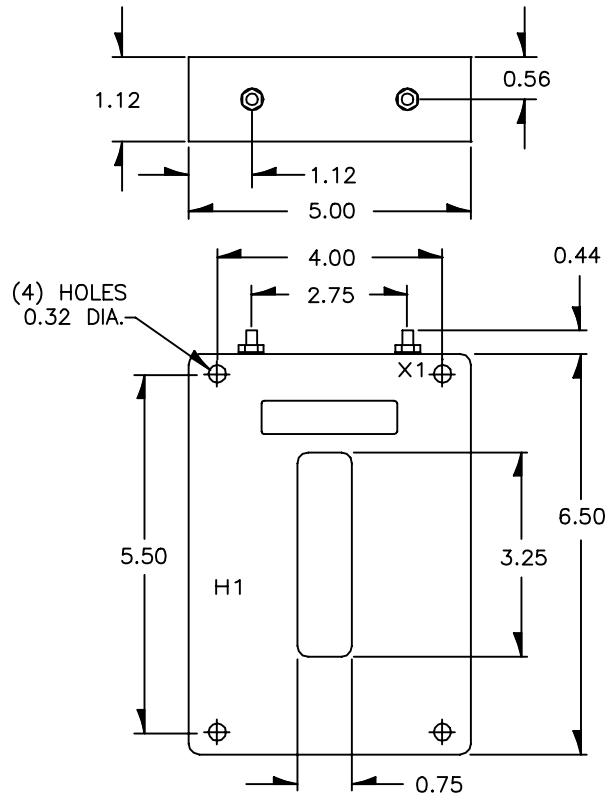
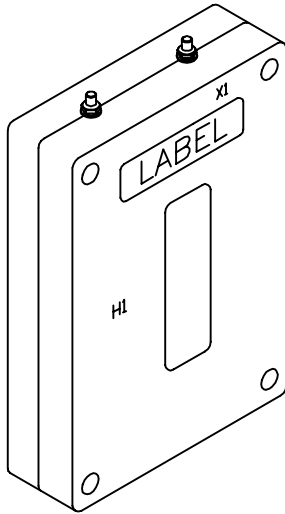
1.0 at 55°C. amb.

- Terminals are brass studs No. 10-32 with one flatwasher, lockwasher and regular nut.
- Approximate weight 2.5 lbs.

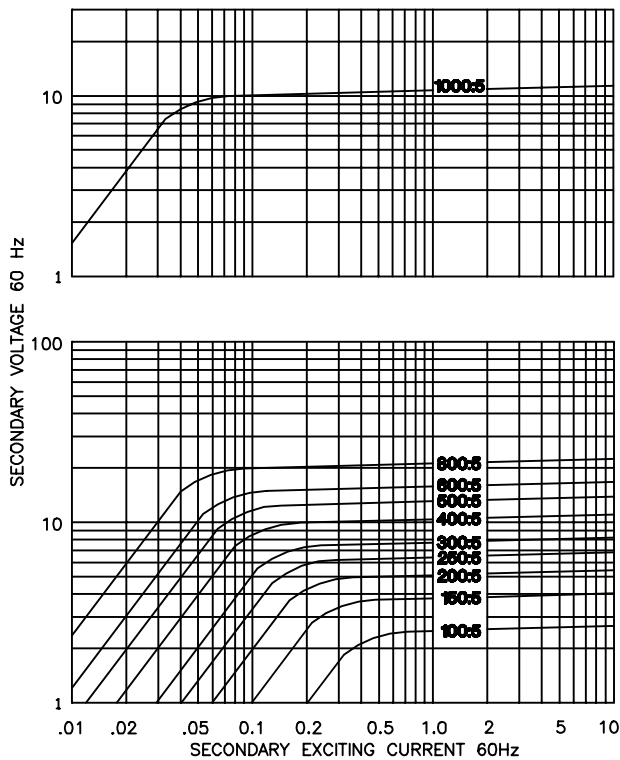
REGULATORY AGENCY APPROVALS



Manufactured to meet the requirements of ANSI/IEEE C57.13. Classified by U.L. in accordance with IEC 44-1



EXCITATION CURVE



CATALOG NUMBER	CURRENT RATIO	ANSI METERING CLASS AT 60 Hz		SECONDARY WINDING RESISTANCE
		B0.1	B0.2	
575-101	100:5	1.2	2.4	0.010
575-101	150:5	1.2	2.4	0.018
575-151	200:5	1.2	1.2	0.033
575-201	250:5	0.6	0.6	0.045
575-251	300:5	0.6	0.6	0.056
575-301	400:5	0.6	0.6	0.078
575-401	500:5	0.6	0.6	0.098
575-501	600:5	0.6	0.6	0.117
575-601	800:5	0.3	0.3	0.157
575-102	1000:5	0.3	0.3	0.152

# CURRENT TRANSFORMER

Model 576

Window Size 2.00" X 5.25"

**APPLICATION:**

Metering.

**FREQUENCY:**

50-400 Hz.

**INSULATION LEVEL:**

0.6 kV, BIL 10 kV full wave.

**CONTINUOUS THERMAL RATING FACTOR:**

1.33 at 30°C. amb.

1.0 at 55°C. amb.

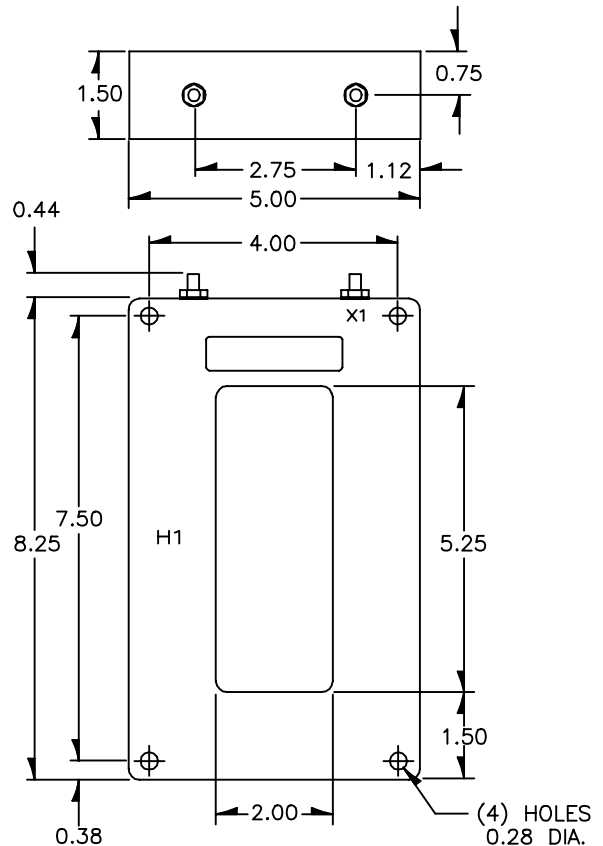
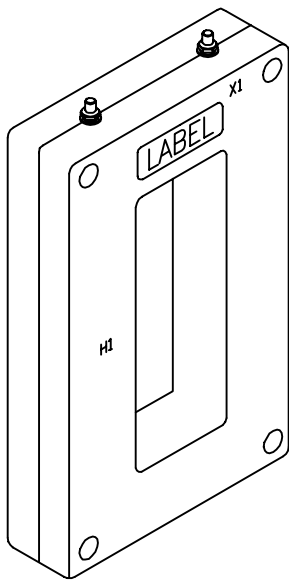
- Terminals are brass studs No. 10-32 with one flatwasher, lockwasher and regular nut.

- Approximate weight 3.25 lbs.

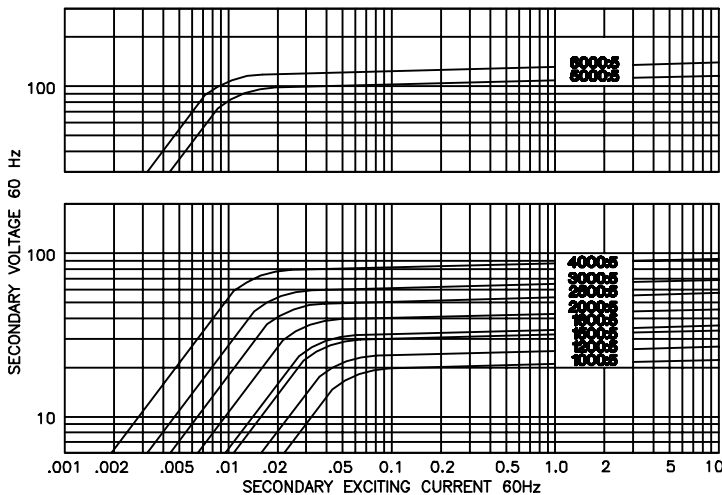
REGULATORY AGENCY APPROVALS



Manufactured to meet the requirements of ANSI/IEEE C57.13. Classified by U.L. in accordance with IEC 44-1



EXCITATION CURVE



CATALOG NUMBER	CURRENT RATIO	ANSI METERING CLASS AT 60 Hz			SECONDARY WINDING RESISTANCE (OHMS @ 75°C.)
		B0.1	B0.2	B0.5	
576-102	1000:5	0.3	0.3	0.6	0.179
576-122	1200:5	0.3	0.3	0.6	0.215
576-152	1500:5	0.3	0.3	0.6	0.173
576-162	1600:5	0.3	0.3	0.6	0.217
576-202	2000:5	0.3	0.3	0.3	0.272
576-252	2500:5	0.3	0.3	0.3	0.339
576-302	3000:5	0.3	0.3	0.3	0.468
* 576-402	4000:5	0.3	0.3	0.3	0.945
** 576-502	5000:5	0.3	0.3	0.3	1.462
** 576-602	6000:5	0.3	0.3	0.3	2.168

\* Rating Factor 0.62 at 30°C.

\*\* Rating Factor 0.55 at 30°C.

# CURRENT TRANSFORMER

Model 577

Window Size 0.75" X 2.25"

**APPLICATION:**

Relaying and metering.

**FREQUENCY:**

50-400 Hz.

**INSULATION LEVEL:**

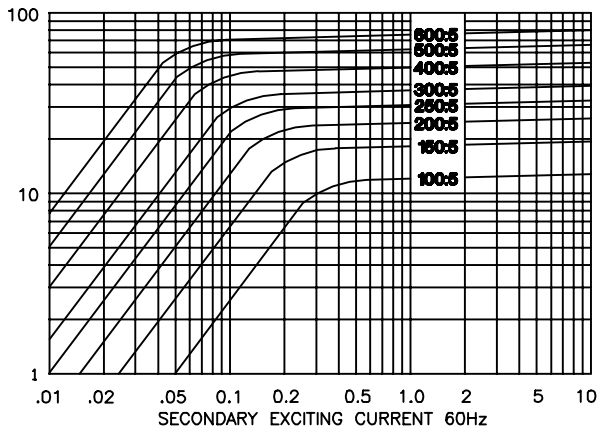
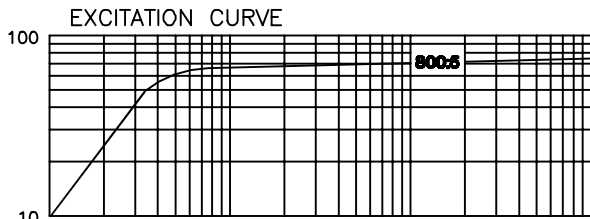
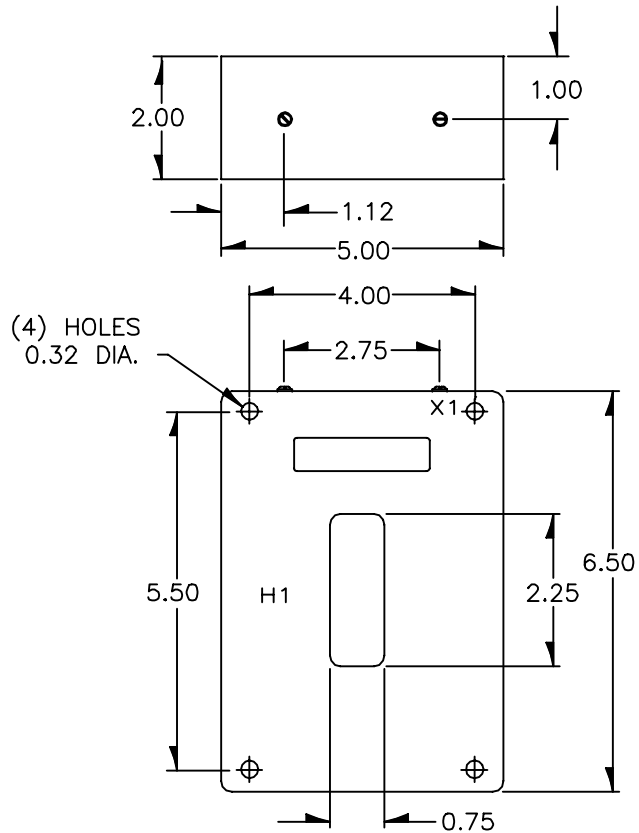
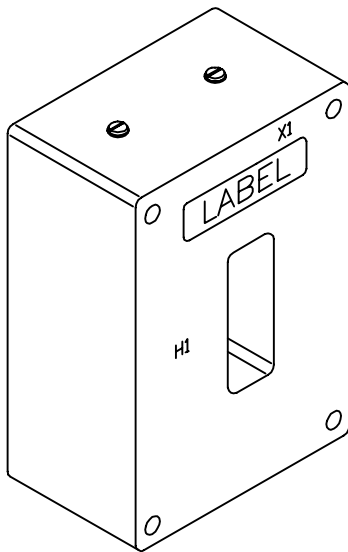
0.6 kV, BIL 10 kV full wave.

**CONTINUOUS THERMAL RATING FACTOR:**

1.33 at 30°C. amb.

1.0 at 55°C. amb.

- Terminals are brass screws No. 10-32 with one flatwasher, lockwasher.
- Cast resin construction.
- Approximate weight 12 lbs.



CATALOG NUMBER	CURRENT RATIO	RELAY CLASS	ANSI METERING CLASS AT 60 Hz					SECONDARY WINDING RESISTANCE (OHMS @ 75°C)
			B0.1	B0.2	B0.5	B0.9	B1.8	
577-101	100:5	C10	1.2	1.2	2.4	4.8	-	0.020
577-151	150:5	C10	0.6	0.6	1.2	2.4	4.8	0.030
577-201	200:5	C10	0.3	0.6	0.6	1.2	2.4	0.051
577-251	250:5	C20	0.3	0.3	0.6	1.2	1.2	0.100
577-301	300:5	C20	0.3	0.3	0.6	0.6	1.2	0.121
577-401	400:5	C20	0.3	0.3	0.3	0.3	0.6	0.161
577-501	500:5	C50	0.3	0.3	0.3	0.3	0.6	0.201
577-601	600:5	C50	0.3	0.3	0.3	0.3	0.3	0.304
577-801	800:5	C50	0.3	0.3	0.3	0.3	0.3	0.287

# CURRENT TRANSFORMER

Model 578

Window Size 0.75" X 3.25"

**APPLICATION:**  
Relaying and metering.

**FREQUENCY:**  
50–400 Hz.

**INSULATION LEVEL:**  
0.6 kV, BIL 10 kV full wave.

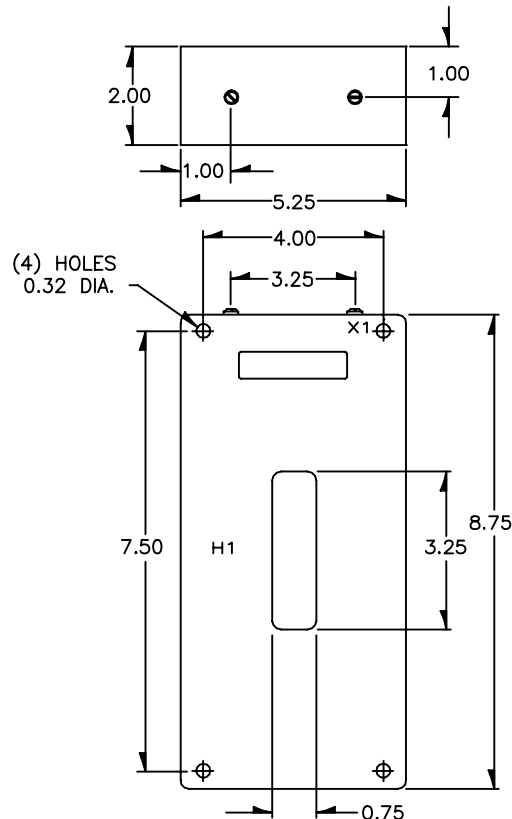
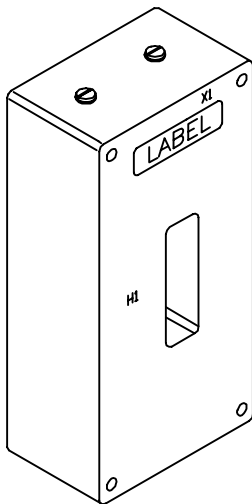
**CONTINUOUS THERMAL RATING FACTOR:**  
1.33 at 30°C. amb.  
1.0 at 55°C. amb.

- Terminals are brass screws No. 10–32 with one flatwasher, lockwasher.
- Cast resin construction.
- Approximate weight 12 lbs.

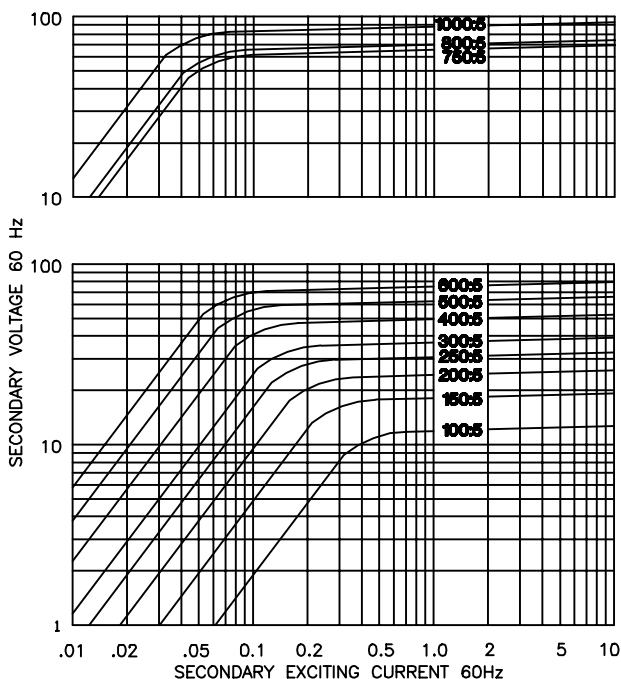
REGULATORY AGENCY APPROVALS



Manufactured to meet the requirements of ANSI/IEEE C57.13.  
Classified by U.L. in accordance with IEC 44–1



EXCITATION CURVE



CATALOG NUMBER	CURRENT RATIO	RELAY CLASS	ANSI METERING CLASS AT 60 Hz					SECONDARY WINDING RESISTANCE (OHMS @ 75°C)
			B0.1	B0.2	B0.5	B0.9	B1.8	
578–101	100:5	C10	1.2	2.4	4.8	4.8	—	0.020
578–151	150:5	C10	0.6	1.2	2.4	2.4	4.8	0.030
578–201	200:5	C10	0.3	0.6	1.2	1.2	2.4	0.041
578–251	250:5	C20	0.3	0.6	0.6	1.2	2.4	0.051
578–301	300:5	C20	0.3	0.3	0.6	0.6	1.2	0.061
578–401	400:5	C20	0.3	0.3	0.3	0.6	1.2	0.102
578–501	500:5	C50	0.3	0.3	0.3	0.3	0.6	0.201
578–601	600:5	C50	0.3	0.3	0.3	0.3	0.6	0.241
578–751	750:5	C20	0.3	0.3	0.3	0.3	0.6	0.269
578–801	800:5	C20	0.3	0.3	0.3	0.3	0.3	0.287
578–102	1000:5	C50	0.3	0.3	0.3	0.3	0.3	0.358

# CURRENT TRANSFORMER

Model 579

Window Size 0.75" X 5.25"

**APPLICATION:**

Relaying and metering.

**FREQUENCY:**

50-400 Hz.

**INSULATION LEVEL:**

0.6 kV, BIL 10 kV full wave.

**CONTINUOUS THERMAL RATING FACTOR:**

1.33 at 30°C. amb.

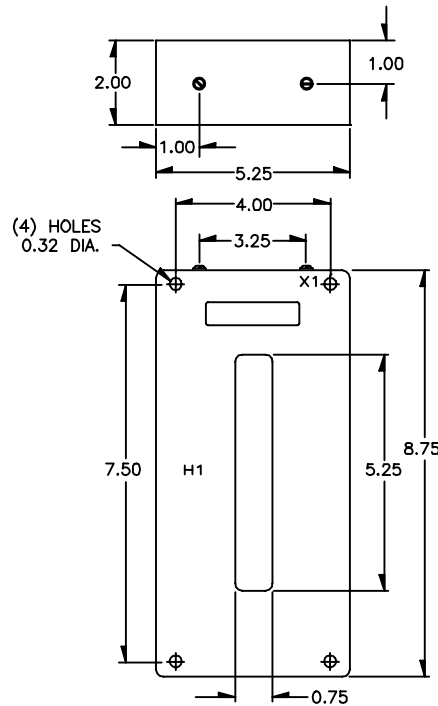
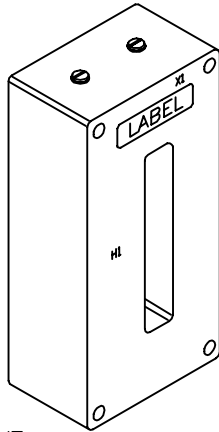
1.0 at 55°C. amb.

- Terminals are brass screws No. 10-32 with one flatwasher, lockwasher.
- Cast resin construction.
- Approximate weight 10 lbs.

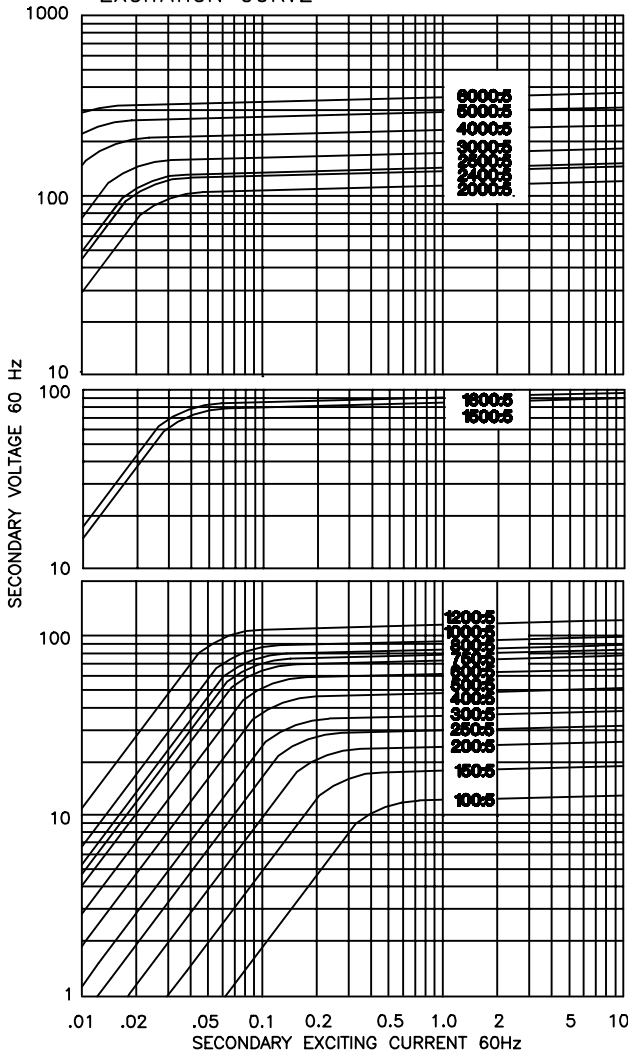
REGULATORY AGENCY APPROVALS



Manufactured to meet the requirements of ANSI/IEEE C57.13. Classified by U.L. in accordance with IEC 44-1



EXCITATION CURVE



CATALOG NUMBER	CURRENT RATIO	RELAY CLASS	ANSI METERING CLASS AT 60 Hz					SECONDARY WINDING RESISTANCE (OHMS @ 75°C)
			B0.1	B0.2	B0.5	B0.9	B1.8	
579-101	100:5	C 10	1.2	2.4	4.8	4.8	-	0.020
579-151	150:5	C 10	0.6	1.2	2.4	2.4	4.8	0.030
579-201	200:5	C 10	0.3	0.6	1.2	1.2	2.4	0.041
579-251	250:5	C 20	0.3	0.6	0.6	1.2	2.4	0.051
579-301	300:5	C 20	0.3	0.3	0.6	0.6	1.2	0.061
579-401	400:5	C 20	0.3	0.3	0.3	0.6	1.2	0.102
579-501	500:5	C 50	0.3	0.3	0.3	0.3	0.6	0.201
579-601	600:5	C 50	0.3	0.3	0.3	0.3	0.6	0.241
579-751	750:5	C 10	0.3	0.3	0.3	0.3	0.6	0.269
579-801	800:5	C 20	0.3	0.3	0.3	0.3	0.3	0.287
579-102	1000:5	C 50	0.3	0.3	0.3	0.3	0.3	0.358
579-122	1200:5	C 50	0.3	0.3	0.3	0.3	0.3	0.488
579-152	1500:5	C 20	0.3	0.3	0.3	0.3	0.3	0.484
579-162	1600:5	C 50	0.3	0.3	0.3	0.3	0.3	0.516
579-202	2000:5	C 100	0.3	0.3	0.3	0.3	0.3	0.727
579-242	2400:5	C 100	0.3	0.3	0.3	0.3	0.3	0.872
579-252	2500:5	C 100	0.3	0.3	0.3	0.3	0.3	0.908
579-302	3000:5	C 100	0.3	0.3	0.3	0.3	0.3	1.090
579-402	4000:5	C 100	0.3	0.3	0.3	0.3	0.3	2.263
579-502	5000:5	-	0.3	0.3	0.3	0.3	0.3	4.430
579-602	6000:5	-	0.3	0.3	0.3	0.3	0.3	8.325

# CURRENT TRANSFORMER

Model 580

Window Size 2.50" X 1.00"

**APPLICATION:**  
Metering.

**FREQUENCY:**  
50–400 Hz.

**INSULATION LEVEL:**  
0.6 kV, BIL 10 kV full wave.

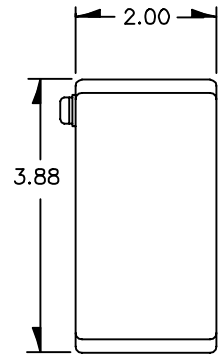
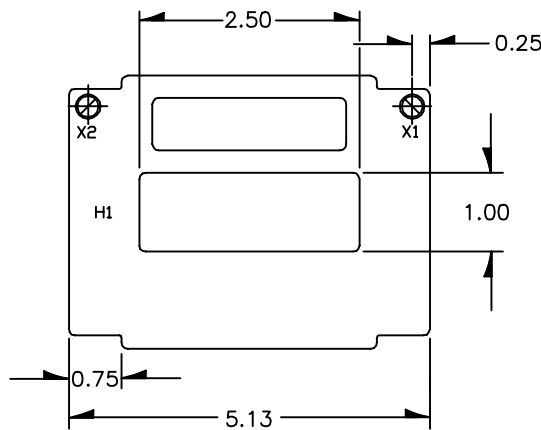
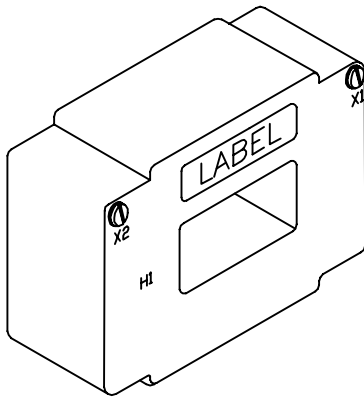
**CONTINUOUS THERMAL RATING FACTOR:**  
1.33 at 30°C. amb.  
1.0 at 55°C. amb.

- Terminals are brass screws No. 10–32 with one flatwasher and lockwasher.
- Cast resin construction.
- Approximate weight 4 lbs.

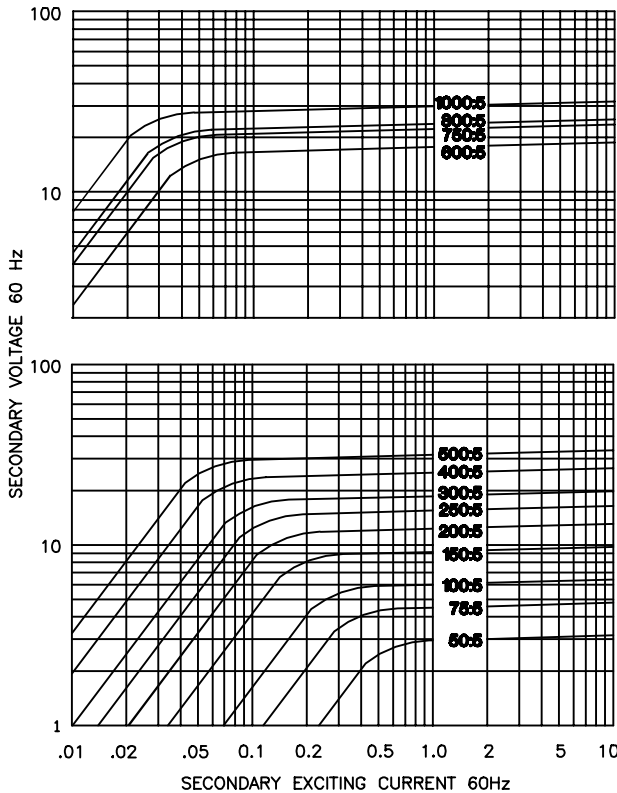
REGULATORY AGENCY APPROVALS



Manufactured to meet the requirements of ANSI/IEEE C57.13.  
Classified by U.L. in accordance with IEC 44–1



EXCITATION CURVE



CATALOG NUMBER	CURRENT RATIO	ANSI METERING CLASS AT 60 Hz					SECONDARY WINDING RESISTANCE (OHMS @ 75°C.)
		B0.1	B0.2	B0.5	B0.9	B1.8	
580–500	50:5	4.8	–	–	–	–	0.010
580–750	75:5	2.4	4.8	–	–	–	0.015
580–101	100:5	1.2	2.4	4.8	–	–	0.039
580–151	150:5	1.2	1.2	2.4	4.8	4.8	0.058
580–201	200:5	0.6	1.2	1.2	2.4	4.8	0.077
580–251	250:5	0.6	0.6	1.2	1.2	2.4	0.096
580–301	300:5	0.3	0.6	0.6	1.2	2.4	0.116
580–401	400:5	0.3	0.3	0.6	0.6	1.2	0.154
580–501	500:5	0.3	0.3	0.3	0.6	0.6	0.193
580–601	600:5	0.3	0.3	0.3	0.6	1.2	0.198
580–751	750:5	0.3	0.3	0.3	0.6	0.6	0.248
580–801	800:5	0.3	0.3	0.3	0.6	0.6	0.264
580–102	1000:5	0.3	0.3	0.3	0.3	0.6	0.331



# CURRENT TRANSFORMER

Model 581

Window Size 3.13" X 1.13"

**APPLICATION:**  
Metering.

**FREQUENCY:**  
50-400 Hz.

**INSULATION LEVEL:**  
0.6 kV, BIL 10 kV full wave.

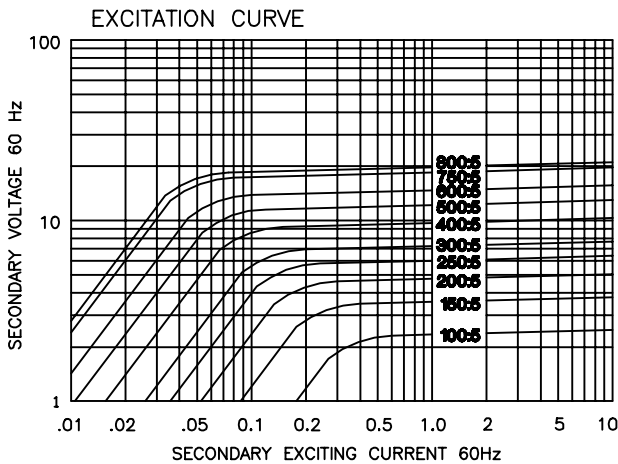
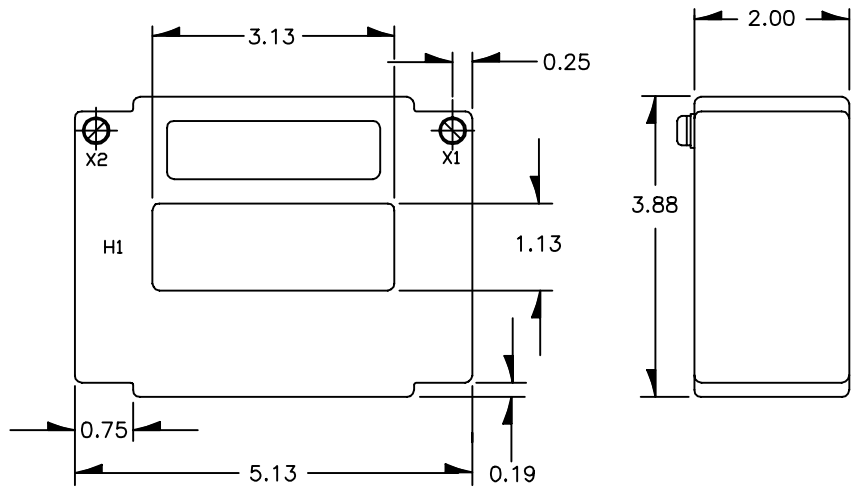
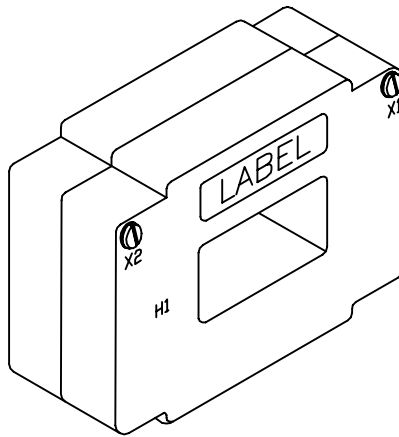
**CONTINUOUS THERMAL RATING FACTOR:**  
1.33 at 30°C. amb.  
1.0 at 55°C. amb.

- Terminals are brass screws No.10-32 with one flatwasher and lockwasher.
- Approximate weight 4 lbs.

REGULATORY AGENCY APPROVALS



Manufactured to meet the requirements of ANSI/IEEE C57.13.  
Classified by U.L. in accordance with IEC 44-1



CATALOG NUMBER	CURRENT RATIO	ANSI METERING CLASS AT 60 Hz					SECONDARY WINDING RESISTANCE (OHMS @ 75°C.)
		B0.1	B0.2	B0.5	B0.9	B1.8	
581-101	100:5	2.4	4.8	-	-	-	0.020
581-151	150:5	1.2	2.4	4.8	4.8	-	0.029
581-201	200:5	1.2	1.2	2.4	4.8	4.8	0.039
581-251	250:5	0.6	1.2	2.4	2.4	4.8	0.049
581-301	300:5	0.6	1.2	1.2	2.4	2.4	0.059
581-401	400:5	0.3	0.6	1.2	1.2	2.4	0.078
581-501	500:5	0.3	0.3	0.6	1.2	1.2	0.123
581-601	600:5	0.3	0.3	0.6	0.6	1.2	0.147
581-751	750:5	0.3	0.3	0.3	0.6	0.6	0.184
581-801	800:5	0.3	0.3	0.3	0.6	0.6	0.197

# CURRENT TRANSFORMER

**Model 582**

*Window Size 3.25" X 2.00"*

**APPLICATION:**  
Metering.

**FREQUENCY:**  
50–400 Hz.

**INSULATION LEVEL:**  
0.6 kV, BIL 10 kV full wave.

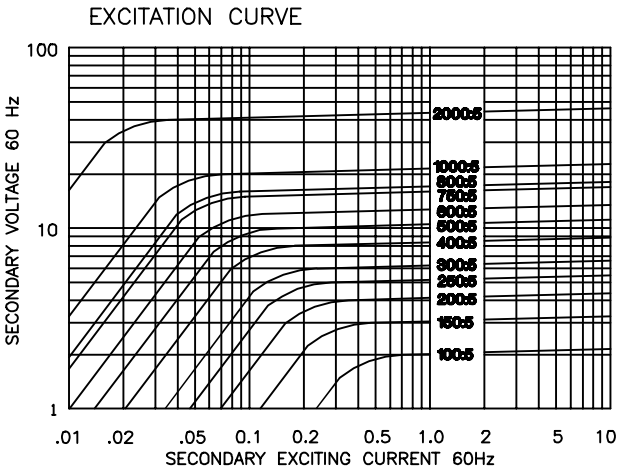
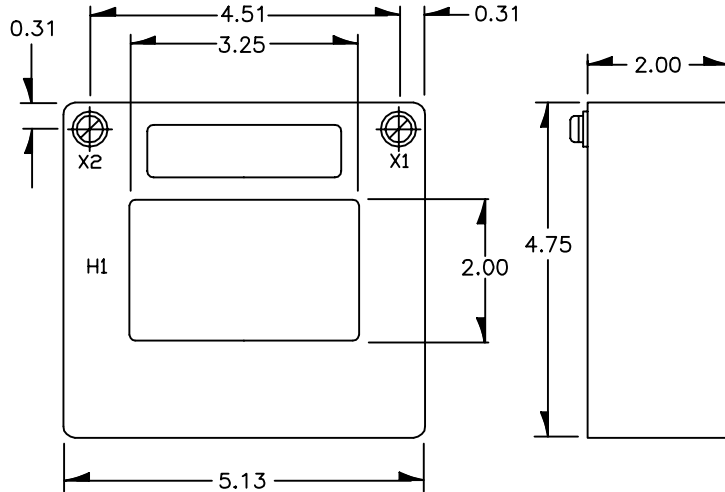
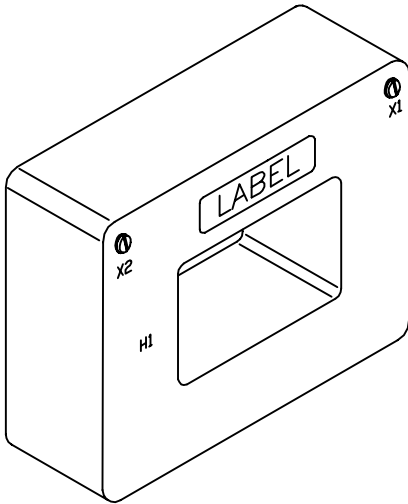
**CONTINUOUS THERMAL RATING FACTOR:**  
1.33 at 30°C. amb.  
1.0 at 55°C. amb.

- Terminals are brass screws No.10–32 with one flatwasher and lockwasher.
- Cast resin construction.
- Approximate weight 4 lbs.

REGULATORY AGENCY APPROVALS



Manufactured to meet the requirements of ANSI/IEEE C57.13.  
Classified by U.L. in accordance with IEC 44-1



CATALOG NUMBER	CURRENT RATIO	ANSI METERING CLASS AT 60 Hz					SECONDARY WINDING RESISTANCE (OHMS @ 75°C.)
		B0.1	B0.2	B0.5	B0.9	B1.8	
582-101	100:5	4.8	4.8	—	—	—	0.020
582-151	150:5	2.4	4.8	4.8	—	—	0.029
582-201	200:5	1.2	2.4	4.8	4.8	—	0.039
582-251	250:5	1.2	1.2	2.4	4.8	4.8	0.049
582-301	300:5	0.6	1.2	2.4	2.4	4.8	0.059
582-401	400:5	0.6	0.6	1.2	2.4	2.4	0.078
582-501	500:5	0.3	0.6	1.2	1.2	2.4	0.098
582-601	600:5	0.3	0.3	0.6	1.2	1.2	0.117
582-751	750:5	0.3	0.3	0.6	0.6	1.2	0.147
582-801	800:5	0.3	0.3	0.6	0.6	1.2	0.157
582-102	1000:5	0.3	0.3	0.3	0.6	0.6	0.246

# CURRENT TRANSFORMER

Model 583

Window Size 0.59" X 3.12"

**APPLICATION:**

Metering.

**FREQUENCY:**

50-400 Hz.

**INSULATION LEVEL:**

0.6 kV, BIL 10 kV full wave.

**CONTINUOUS THERMAL RATING FACTOR:**

1.33 at 30°C. amb.

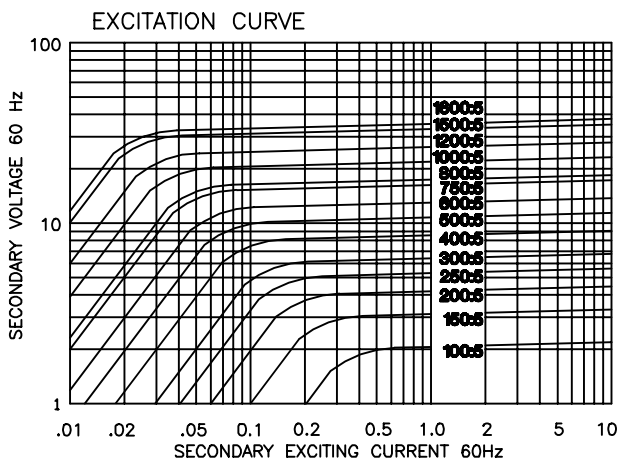
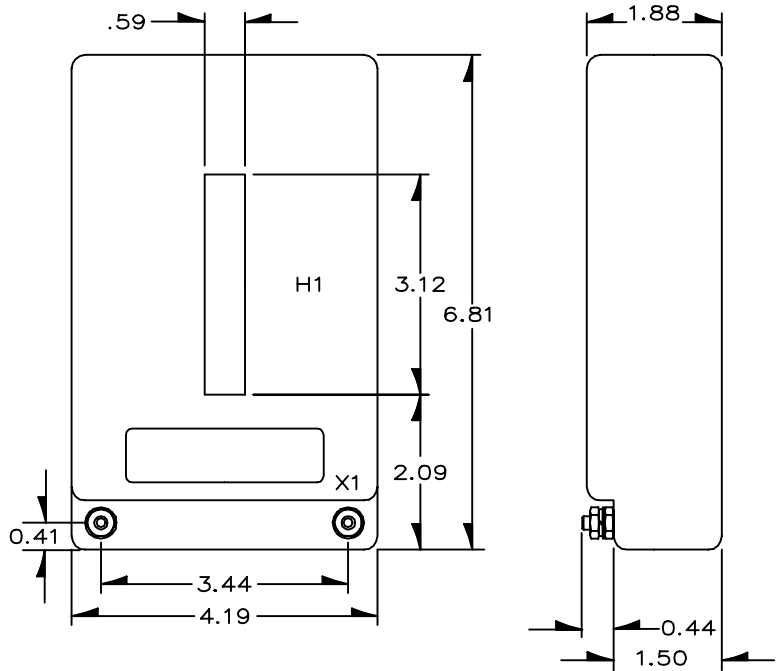
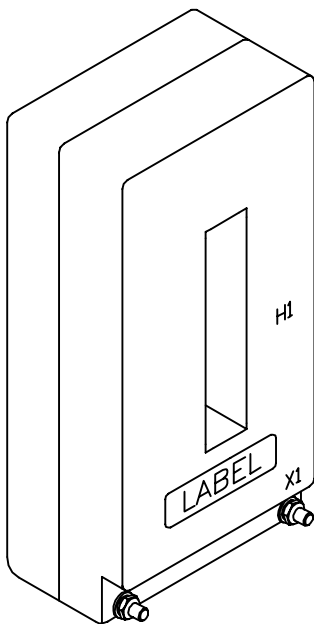
1.0 at 55°C. amb.

- Terminals are brass studs No. 10-32 with one flatwasher, lockwasher and regular nut.
- Approximate weight 3 lbs.

REGULATORY AGENCY APPROVALS



Manufactured to meet the requirements of ANSI/IEEE C57.13. Classified by U.L. in accordance with IEC 44-1



CATALOG NUMBER	CURRENT RATIO	ANSI METERING CLASS AT 60 Hz					SECONDARY WINDING RESISTANCE (OHMS @ 75°C.)
		B0.1	B0.2	B0.5	B0.9	B1.8	
583-101	100:5	4.8	4.8	-	-	-	0.019
583-151	150:5	2.4	2.4	-	-	-	0.028
583-201	200:5	1.2	2.4	2.4	-	-	0.038
583-251	250:5	0.6	1.2	2.4	-	-	0.047
583-301	300:5	0.6	1.2	1.2	-	-	0.056
583-401	400:5	0.3	0.6	1.2	1.2	-	0.075
583-501	500:5	0.3	0.3	0.6	1.2	-	0.094
583-601	600:5	0.3	0.3	0.6	0.6	-	0.113
583-751	750:5	0.3	0.3	0.6	0.6	-	0.113
583-801	800:5	0.3	0.3	0.3	0.6	0.6	0.150
583-102	1000:5	0.3	0.3	0.3	0.3	0.6	0.188
583-122	1200:5	0.3	0.3	0.3	0.3	0.3	0.226
583-152	1500:5	0.3	0.3	0.3	0.3	0.3	0.282
583-162	1600:5	0.3	0.3	0.3	0.3	0.3	0.301