

CURRENT TRANSFORMER

Model 386MR

Window Diameter 4.50"

APPLICATION:
Relaying and metering.

FREQUENCY:
50-400 Hz.

INSULATION LEVEL:
0.6 kV, BIL 10 kV full wave.

REGULATORY AGENCY APPROVALS



Manufactured to meet the requirements of ANSI/IEEE C57.13.
Classified by U.L. in accordance with IEC 44-1

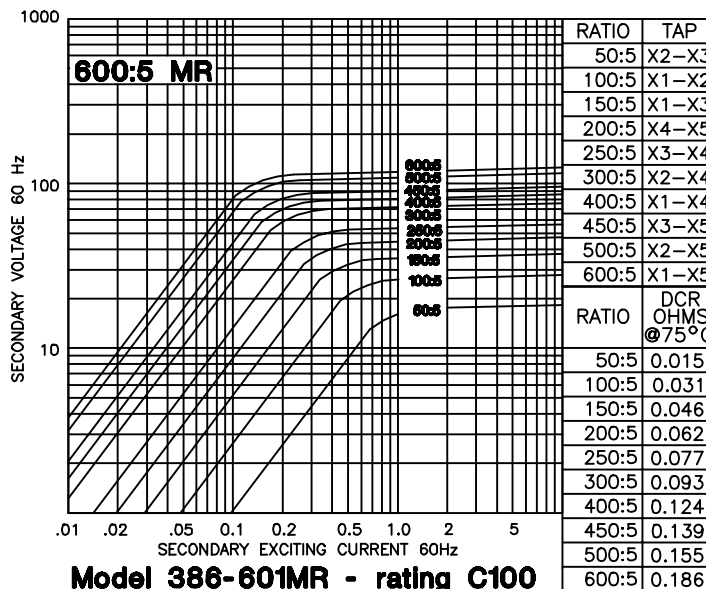
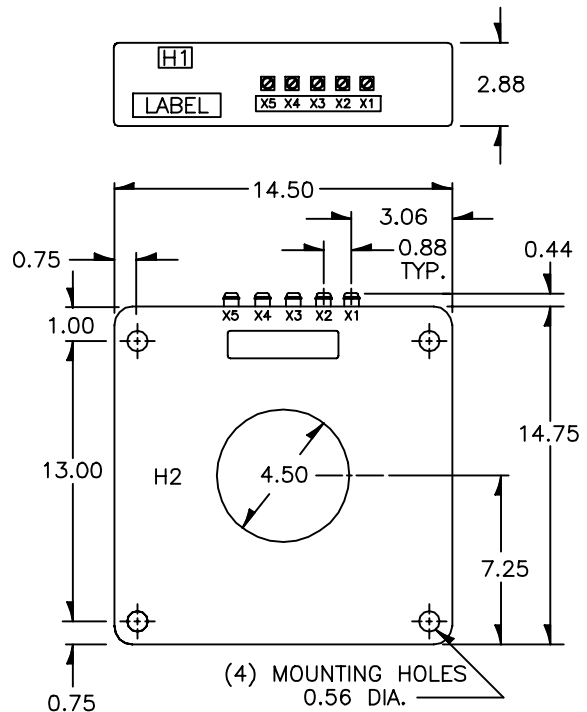
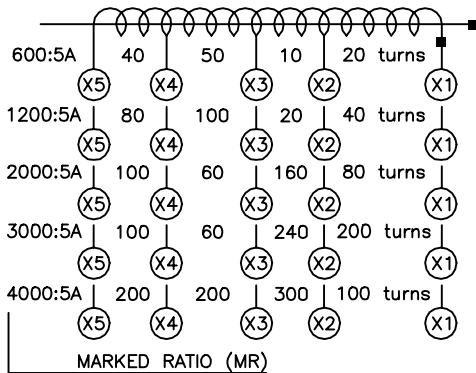
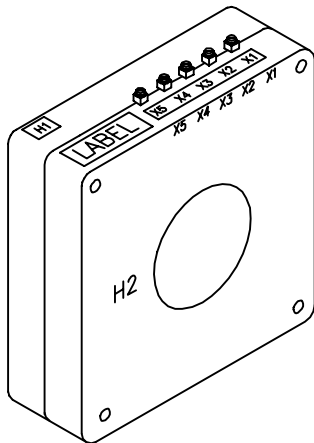
Approved for revenue metering by Industry Canada. No. AE-0661

CONTINUOUS THERMAL CURRENT RATING FACTOR:

See TRF at curves.

• Secondary terminals are brass screws No. 10-32 UNF with one flatwasher and lockwasher.

• Approximate weight 35 lbs.



TRF= 2.0 @ 30°C, 2.0 @ 55°C amb.

