

CURRENT TRANSFORMER

Model 386

Window Diameter 4.50"

APPLICATION:
Relaying and metering.

FREQUENCY:
50–400 Hz.

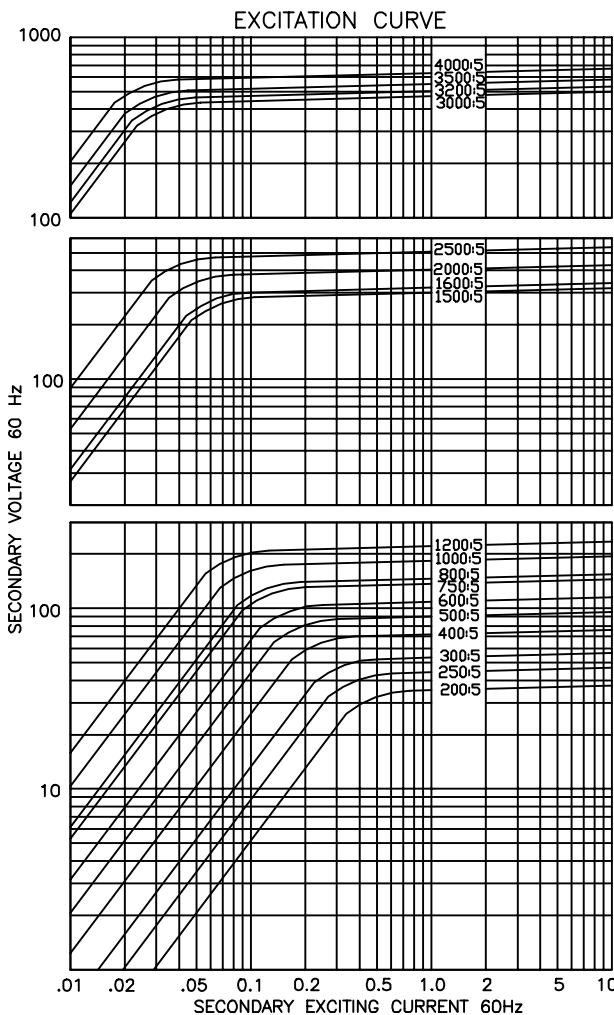
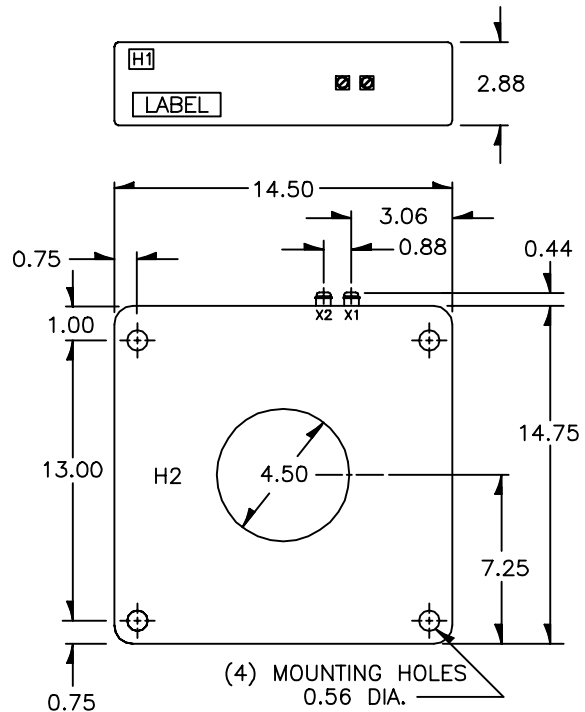
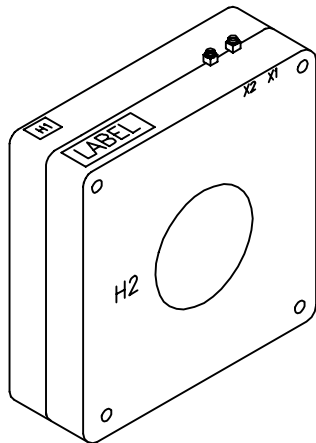
INSULATION LEVEL:
600 Volts, 10 kV BIL full wave.

REGULATORY AGENCY APPROVALS



Manufactured to meet the requirements of ANSI/IEEE C57.13.
Classified by U.L. in accordance with IEC 44-1
Approved for revenue metering by Industry Canada. No. AE-0661

- Secondary terminals are brass screws No. 10–32 UNF with one flatwasher and lockwasher.
- Multi-ratios available on request.
- Approximate weight 35 lbs.



CATALOG NUMBER	CURRENT RATIO	RELAY CLASS	ANSI METERING CLASS AT 60 Hz					SECONDARY WINDING RESISTANCE (OHMS @ 75 °C)	CONTINUOUS THERMAL RATING FACTOR	
			B0.1	B0.2	B0.5	B0.9	B1.8		@30°C	@55°C
386-201	200:5	C20	0.6	0.6	1.2	2.4	4.8	0.061	2.0	2.0
386-251	250:5	C20	0.3	0.6	1.2	1.2	2.4	0.077	2.0	2.0
386-301	300:5	C50	0.3	0.3	0.6	1.2	2.4	0.092	2.0	2.0
386-401	400:5	C50	0.3	0.3	0.3	0.6	1.2	0.123	2.0	2.0
386-501	500:5	C50	0.3	0.3	0.3	0.6	0.6	0.153	2.0	2.0
386-601	600:5	C100	0.3	0.3	0.3	0.3	0.6	0.184	2.0	2.0
386-751	750:5	C100	0.3	0.3	0.3	0.3	0.3	0.230	2.0	2.0
386-801	800:5	C100	0.3	0.3	0.3	0.3	0.3	0.245	2.0	2.0
386-102	1000:5	C100	0.3	0.3	0.3	0.3	0.3	0.307	2.0	1.5
386-122	1200:5	C200	0.3	0.3	0.3	0.3	0.3	0.368	2.0	1.5
386-152	1500:5	C200	0.3	0.3	0.3	0.3	0.3	0.502	2.0	1.5
386-162	1600:5	C200	0.3	0.3	0.3	0.3	0.3	0.535	2.0	1.5
386-202	2000:5	C200	0.3	0.3	0.3	0.3	0.3	0.669	1.5	1.33
386-252	2500:5	C400	0.3	0.3	0.3	0.3	0.3	0.836	1.5	1.0
386-302	3000:5	C400	0.3	0.3	0.3	0.3	0.3	0.933	1.5	1.0
386-322	3200:5	C400	0.3	0.3	0.3	0.3	0.3	0.995	1.5	1.0
386-352	3500:5	C400	0.3	0.3	0.3	0.3	0.3	1.083	1.5	1.0
386-402	4000:5	C400	0.3	0.3	0.3	0.3	0.3	1.244	1.33	1.0