

CURRENT TRANSFORMER

Model 308

Window Diameter 5.75"

APPLICATION:
Relaying and metering.

FREQUENCY:
50-400 Hz.

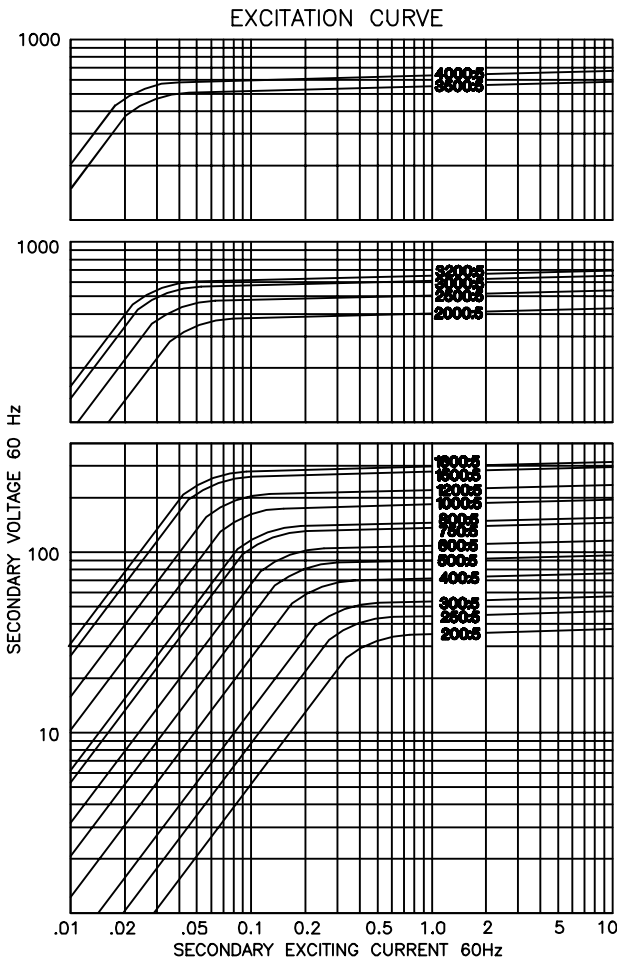
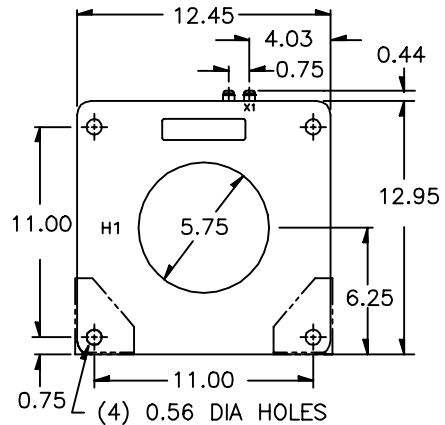
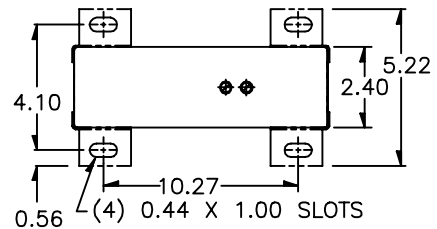
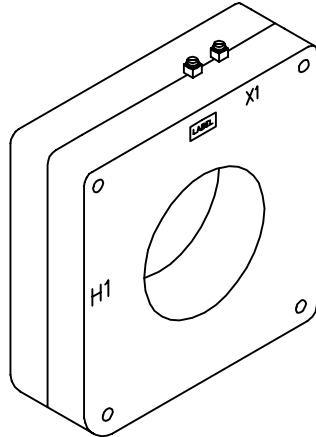
INSULATION LEVEL:
600 Volts, 10 kV BIL full wave.

REGULATORY AGENCY APPROVALS



Manufactured to meet the requirements of ANSI/IEEE C57.13.
Classified by U.L. in accordance with IEC 44-1
Approved for revenue metering by Industry Canada. No. AE-0661

- Terminals are brass screws No. 10-32 UNF with one flatwasher and lockwasher.
- Order mounting bracket kit 0221B01527 separately.
- Multi-ratios available on request.
- Approximate weight 34 lbs.



CATALOG NUMBER	CURRENT RATIO	RELAY CLASS	ANSI METERING CLASS AT 60 Hz					SECONDARY WINDING RESISTANCE (OHMS @ 75 °C)	CONTINUOUS THERMAL RATING FACTOR	
			B0.1	B0.2	B0.5	B0.9	B1.8		@30°C	@55°C
308-201	200:5	C20	0.6	1.2	2.4	2.4	-	0.097	2.0	2.0
308-251	250:5	C20	0.6	0.6	1.2	2.4	2.4	0.121	2.0	2.0
308-301	300:5	C20	0.3	0.6	1.2	1.2	2.4	0.145	2.0	2.0
308-401	400:5	C50	0.3	0.3	0.6	1.2	2.4	0.194	2.0	2.0
308-501	500:5	C50	0.3	0.3	0.3	0.6	1.2	0.242	2.0	2.0
308-601	600:5	C50	0.3	0.3	0.3	0.3	0.6	0.291	2.0	2.0
308-751	750:5	C100	0.3	0.3	0.3	0.3	0.6	0.363	2.0	2.0
308-801	800:5	C100	0.3	0.3	0.3	0.3	0.3	0.388	2.0	2.0
308-102	1000:5	C100	0.3	0.3	0.3	0.3	0.3	0.485	2.0	1.5
308-122	1200:5	C200	0.3	0.3	0.3	0.3	0.3	0.582	2.0	1.5
308-152	1500:5	C200	0.3	0.3	0.3	0.3	0.3	0.727	1.5	1.33
308-162	1600:5	C200	0.3	0.3	0.3	0.3	0.3	0.775	1.5	1.33
308-202	2000:5	C200	0.3	0.3	0.3	0.3	0.3	1.052	1.5	1.0
308-252	2500:5	C400	0.3	0.3	0.3	0.3	0.3	1.314	1.5	1.0
308-302	3000:5	C400	0.3	0.3	0.3	0.3	0.3	1.577	1.33	1.0
308-322	3200:5	C400	0.3	0.3	0.3	0.3	0.3	1.682	1.0	0.8
308-352	3500:5	C400	0.3	0.3	0.3	0.3	0.3	1.699	1.0	0.8
308-402	4000:5	C400	0.3	0.3	0.3	0.3	0.3	1.942	1.0	0.8