

CURRENT TRANSFORMER

Model 307

Window Diameter 4.50"

APPLICATION:
Relaying and metering.

FREQUENCY:
50-400 Hz.

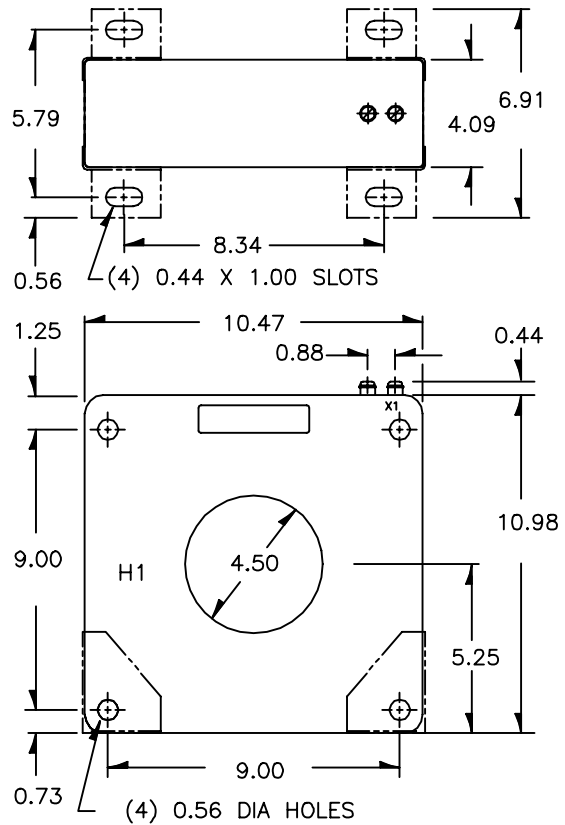
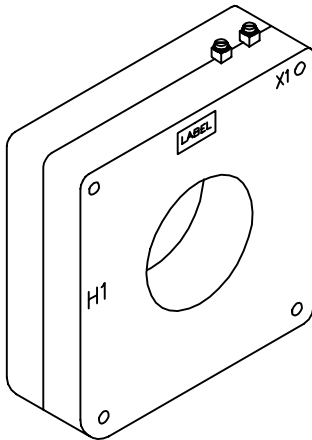
INSULATION LEVEL:
600 Volts, 10 kV BIL full wave.

REGULATORY AGENCY APPROVALS

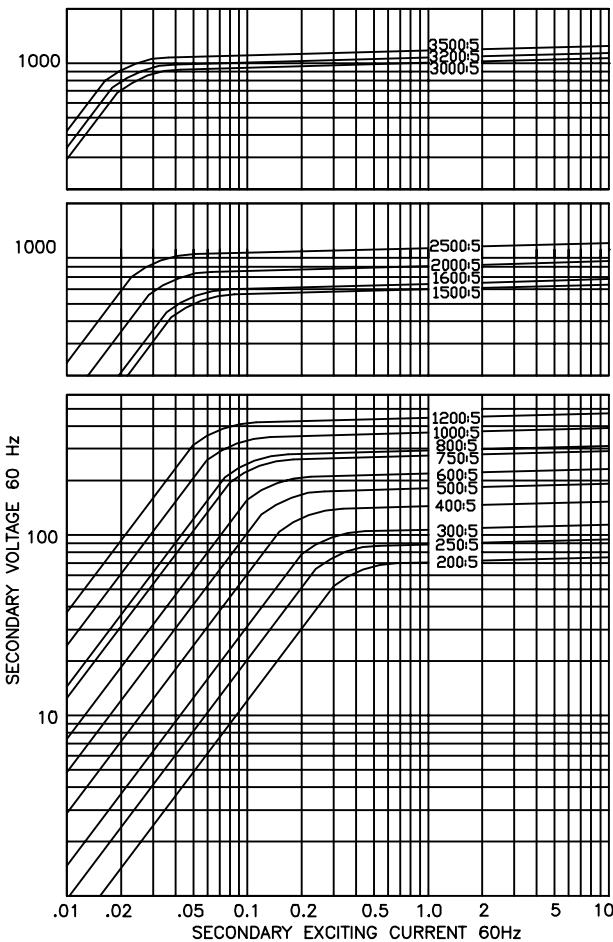


Manufactured to meet the requirements of ANSI/IEEE C57.13.
Classified by U.L. in accordance with IEC 44-1
Approved for revenue metering by Industry Canada. No. AE-0641

- Terminals are brass screws No. 10-32 UNF with one flatwasher and lockwasher.
- Order mounting bracket kit 0221B01525 separately.
- Multi-ratios available on request.
- Approximate weight 53 lbs.



EXCITATION CURVE



CATALOG NUMBER	CURRENT RATIO	RELAY CLASS	ANSI METERING CLASS AT 60 Hz					SECONDARY WINDING RESISTANCE (OHMS @ 75 °C)	CONTINUOUS THERMAL RATING FACTOR	
			B0.1	B0.2	B0.5	B0.9	B1.8		@30°C	@55°C
307-201	200:5	C50	0.3	0.6	0.6	1.2	2.4	0.142	2.0	2.0
307-251	250:5	C50	0.3	0.6	0.6	0.6	1.2	0.178	2.0	2.0
307-301	300:5	C100	0.3	0.3	0.6	0.6	1.2	0.214	2.0	2.0
307-401	400:5	C100	0.3	0.3	0.3	0.6	0.6	0.285	2.0	2.0
307-501	500:5	C100	0.3	0.3	0.3	0.3	0.6	0.356	2.0	1.5
307-601	600:5	C200	0.3	0.3	0.3	0.3	0.3	0.427	2.0	1.5
307-751	750:5	C200	0.3	0.3	0.3	0.3	0.3	0.534	2.0	1.5
307-801	800:5	C200	0.3	0.3	0.3	0.3	0.3	0.570	2.0	1.5
307-102	1000:5	C200	0.3	0.3	0.3	0.3	0.3	0.712	1.5	1.33
307-122	1200:5	C400	0.3	0.3	0.3	0.3	0.3	0.855	1.5	1.33
307-152	1500:5	C400	0.3	0.3	0.3	0.3	0.3	1.105	1.33	1.0
307-162	1600:5	C400	0.3	0.3	0.3	0.3	0.3	1.179	1.33	1.0
307-202	2000:5	C400	0.3	0.3	0.3	0.3	0.3	1.474	1.0	1.0
307-252	2500:5	C800	0.3	0.3	0.3	0.3	0.3	1.842	1.0	0.8
307-302	3000:5	C800	0.3	0.3	0.3	0.3	0.3	2.058	1.0	0.8
307-322	3200:5	C800	0.3	0.3	0.3	0.3	0.3	2.195	1.0	0.8
307-352	3500:5	C800	0.3	0.3	0.3	0.3	0.3	2.401	1.0	0.6