

# CURRENT TRANSFORMER

**Model 203MR**

*Window Diameter 5.25"*

REGULATORY AGENCY APPROVALS



Manufactured to meet the requirements of ANSI/IEEE C57.13.

Classified by U.L. in accordance with IEC 44-1

Approved for revenue metering by Industry Canada. No. T-200

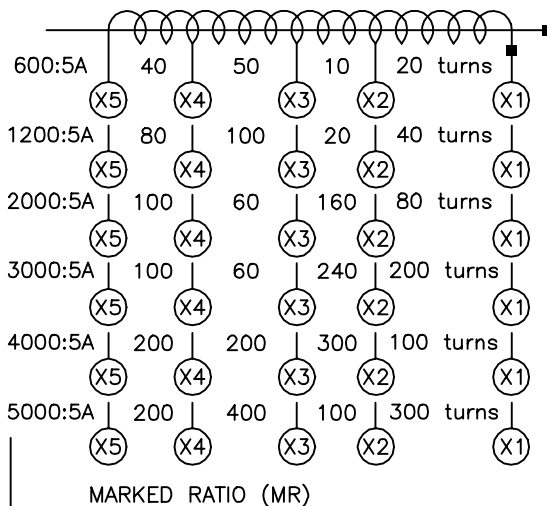
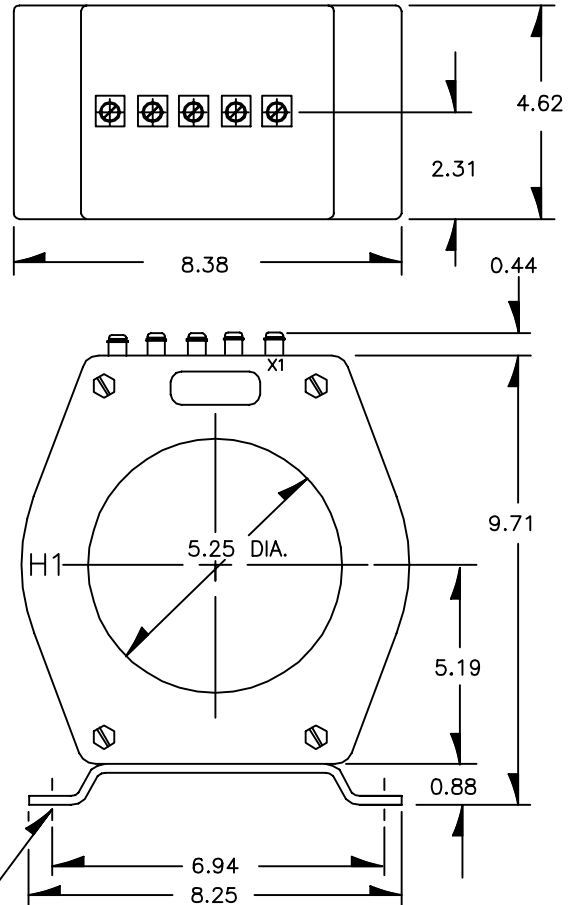
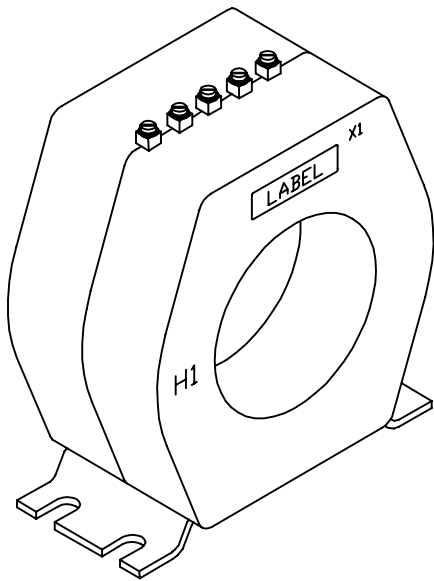
**APPLICATION:**  
Relaying.

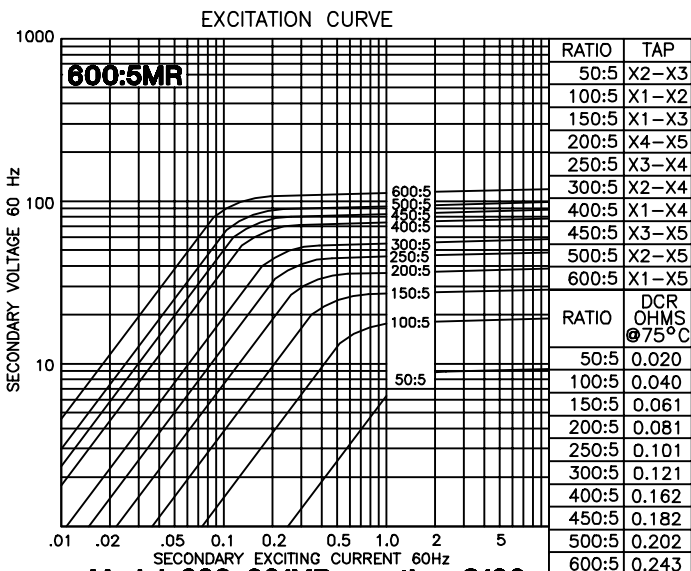
**FREQUENCY:**  
50-400Hz

**INSULATION LEVEL:**  
0.6 kV, BIL 10 kV full wave.

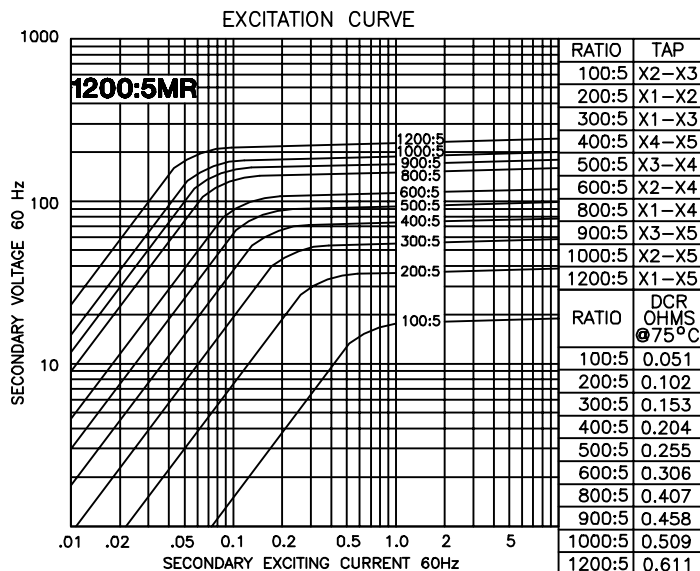
**CONTINUOUS THERMAL CURRENT RATING FACTOR:**  
See TRF at curves.

- Terminals are brass screws No.10-32 with one flatwasher and lockwasher.
- The transformer winding is arranged so that the turns are fully distributed between all taps.
- Approximate weight 28 lbs.

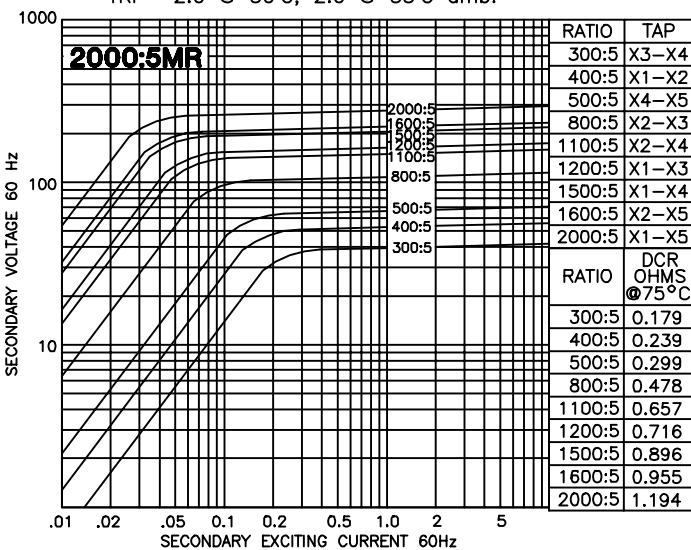




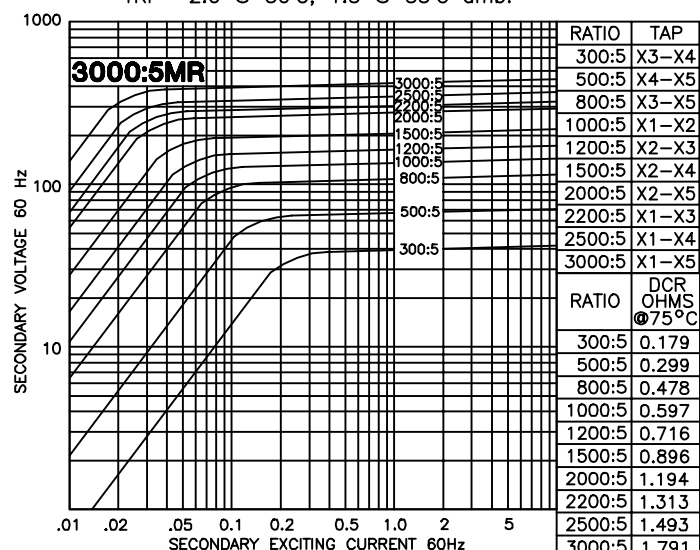
**Model 203-601MR - rating C100**  
TRF= 2.0 @ 30°C, 2.0 @ 55°C amb.



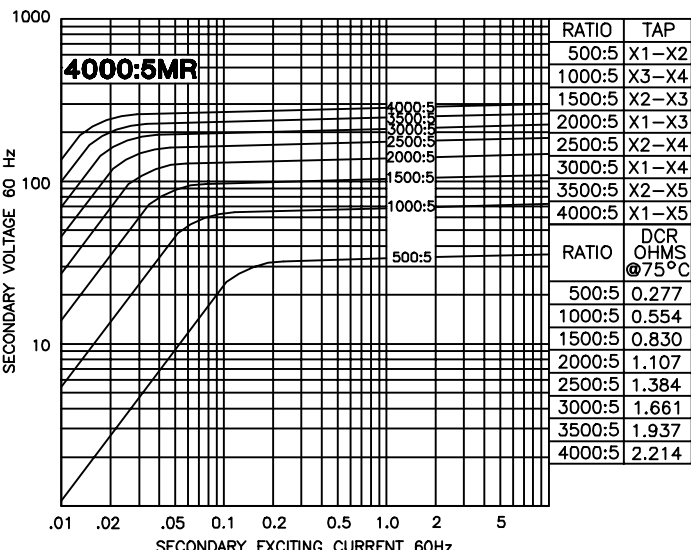
**Model 203-122MR - rating C200**  
TRF= 2.0 @ 30°C, 1.5 @ 55°C amb.



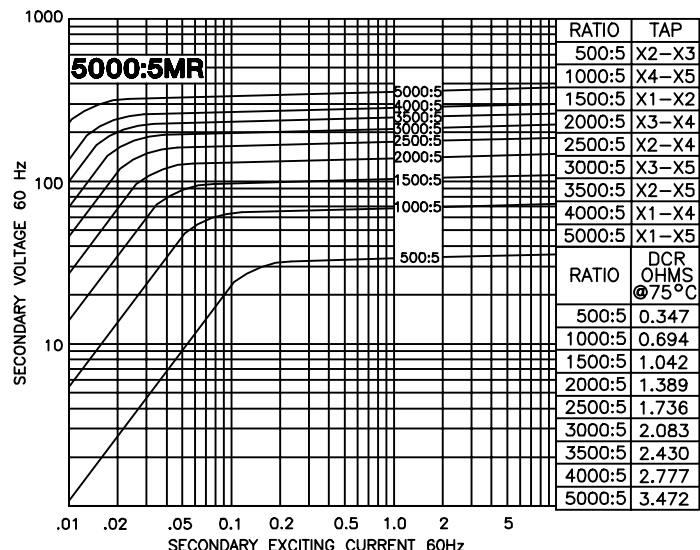
**Model 203-202MR - rating C100**  
TRF= 1.0 @ 30°C, 0.8 @ 55°C amb.



**Model 203-302MR - rating C200**  
TRF= 1.0 @ 30°C, 0.6 @ 55°C amb.



**Model 203-402MR - rating C100**  
TRF= 1.0 @ 30°C, 0.6 @ 55°C amb.



**Model 203-502MR - rating C100**  
TRF= 0.8 @ 30°C, 0.3 @ 55°C amb.