

# CURRENT TRANSFORMER

## Model 149

Window Diameter 8.25"

**APPLICATION:**  
Relaying and metering.

**FREQUENCY:**  
50-400 Hz.

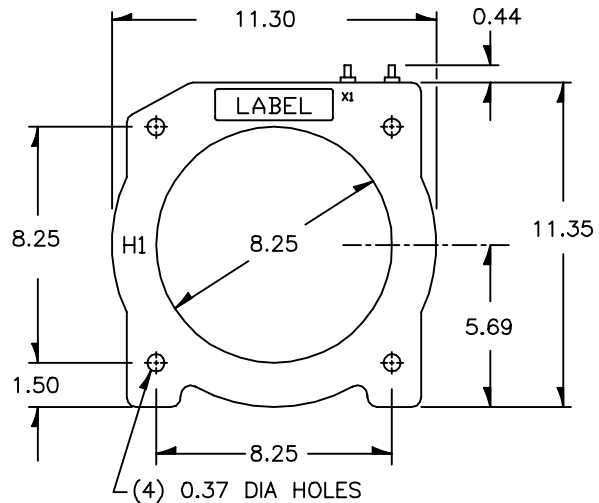
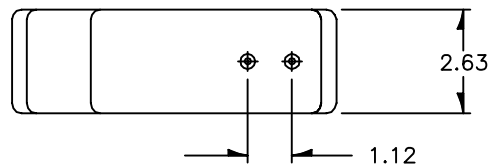
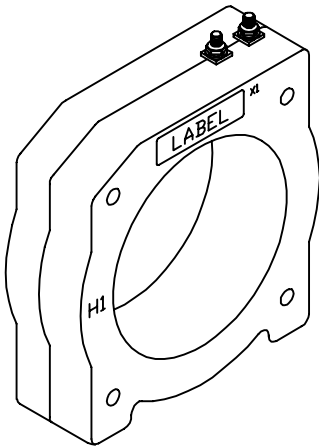
**INSULATION LEVEL:**  
600 Volts, 10 kV BIL full wave.

REGULATORY AGENCY APPROVALS

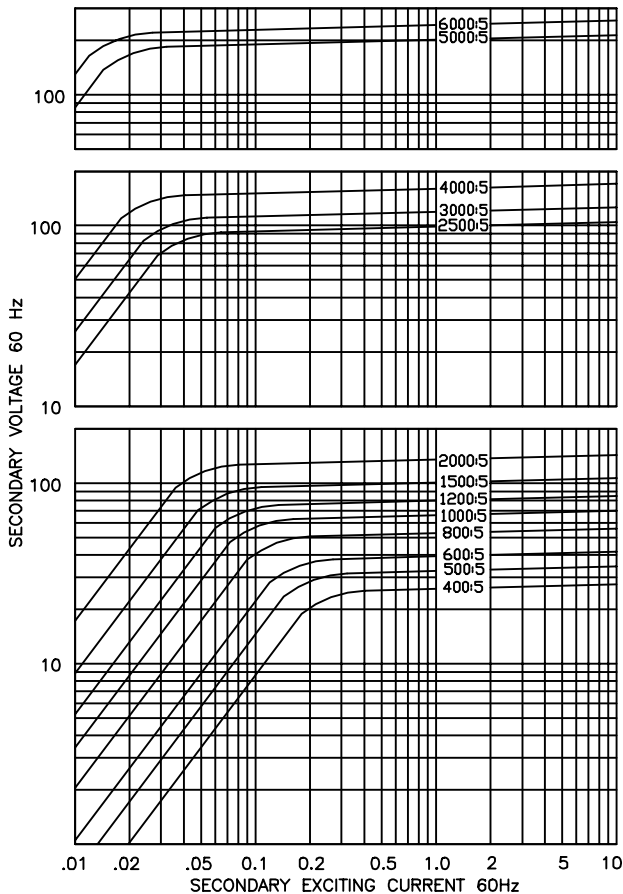


Manufactured to meet the requirements of ANSI/IEEE C57.13.  
Classified by U.L. in accordance with IEC 44-1

- Terminals are brass studs No. 8-32 UNC with one flatwasher, lockwasher and regular nut.
- Removable cover & shorting device available at extra cost.
- Approximate weight 11 lbs.



EXCITATION CURVE



CATALOG NUMBER	CURRENT RATIO	RELAY CLASS	ANSI METERING CLASS AT 60 Hz					SECONDARY WINDING RESISTANCE (OHMS @ 75 °C)	CONTINUOUS THERMAL RATING FACTOR	
			B0.1	B0.2	B0.5	B0.9	B1.8		@30°C	@55°C
149 - 401	400:5	C10	0.3	0.6	1.2	1.2	2.4	0.141	2.0	2.0
149 - 501	500:5	C10	0.3	0.3	0.6	0.6	1.2	0.176	2.0	2.0
149 - 601	600:5	C20	0.3	0.3	0.3	0.6	1.2	0.211	2.0	2.0
149 - 801	800:5	C20	0.3	0.3	0.3	0.3	0.6	0.281	2.0	2.0
149 - 102	1000:5	C30	0.3	0.3	0.3	0.3	0.3	0.352	2.0	1.5
149 - 122	1200:5	C30	0.3	0.3	0.3	0.3	0.3	0.422	2.0	1.5
149 - 152	1500:5	C50	0.3	0.3	0.3	0.3	0.3	0.527	1.5	1.0
149 - 202	2000:5	C50	0.3	0.3	0.3	0.3	0.3	0.885	1.5	1.0
149 - 252	2500:5	C20	0.3	0.3	0.3	0.3	0.3	0.788	1.33	1.0
149 - 302	3000:5	C20	0.3	0.3	0.3	0.3	0.3	0.946	1.33	1.0
149 - 402	4000:5	C20	0.3	0.3	0.3	0.3	0.3	1.261	1.0	0.8
149 - 502	5000:5	C20	0.3	0.3	0.3	0.3	0.3	1.677	1.0	0.8
149 - 602	6000:5	C50	0.3	0.3	0.3	0.3	0.3	2.012	1.0	0.6