

CURRENT TRANSFORMER

Model 146

Window Diameter 8.75"

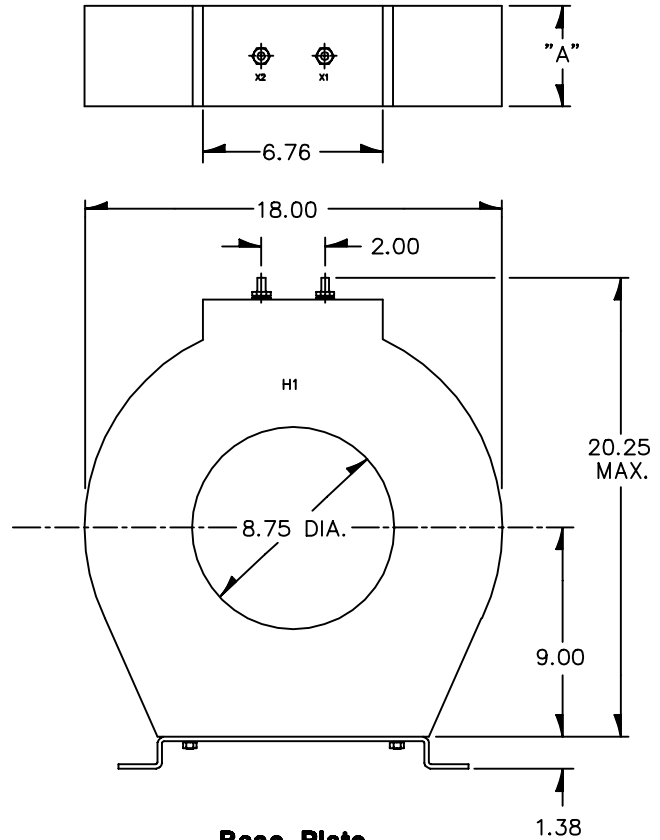
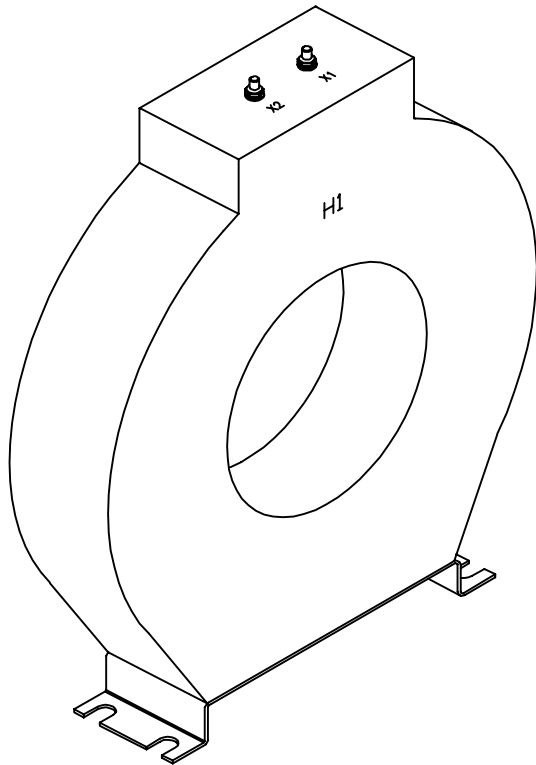
APPLICATION:
Relaying and metering.

FREQUENCY:
50-400Hz

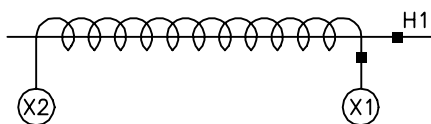
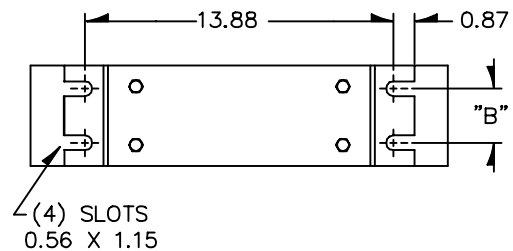
INSULATION LEVEL:
600 Volts, 10kV BIL full wave.

- Terminals are 1/4-20 brass studs with one flatwasher, lockwasher and hexnut.

- May be ordered with or without mounting base. Version with base to be used only with terminals on top.
- Multi-ratios available upon request.
- Cast resin construction.



Base Plate View



CATALOG NUMBER	CURRENT RATIO	RELAY CLASS	ANSI METERING CLASS AT 60 Hz					SECONDARY WINDING RESISTANCE (OHMS @ 75°C)	CONTINUOUS THERMAL RATING FACTOR		"A" IN.	"B" IN.
			B0.1	B0.2	B0.5	B0.9	B1.8		@30°C	@55°C		
146-501	500:5	C400	0.3	0.3	0.3	0.3	0.3	0.30	2.0	2.0	5.50	4.00
146-601	600:5	C400	0.3	0.3	0.3	0.3	0.3	0.339	2.0	2.0	5.50	4.00
146-102	1000:5	C800	0.3	0.3	0.3	0.3	0.3	0.625	2.0	2.0	5.50	4.00
146-122	1200:5	C800	0.3	0.3	0.3	0.3	0.3	0.678	2.0	2.0	5.50	4.00
146-152	1500:5	C800	0.3	0.3	0.3	0.3	0.3	0.787	2.0	2.0	5.50	4.00
146-202	2000:5	C800	0.3	0.3	0.3	0.3	0.3	0.894	1.5	1.5	5.50	4.00
146-252	2500:5	C800	0.3	0.3	0.3	0.3	0.3	1.053	1.5	1.5	5.50	4.00
146-302	3000:5	C800	0.3	0.3	0.3	0.3	0.3	1.204	1.0	1.0	5.50	4.00
146-402	4000:5	C800	0.3	0.3	0.3	0.3	0.3	1.397	1.0	1.0	4.00	2.50
146-502	5000:5	C800	0.3	0.3	0.3	0.3	0.3	1.725	1.0	1.0	4.00	2.50
146-602	6000:5	C800	0.3	0.3	0.3	0.3	0.3	2.10	1.0	1.0	4.00	2.50
146-802	8000:5	C800	0.3	0.3	0.3	0.3	0.3	2.50	1.0	1.0	4.00	2.50