

CURRENT TRANSFORMER

Model 144

Window Diameter 6.0"

APPLICATION:
Relaying and metering.

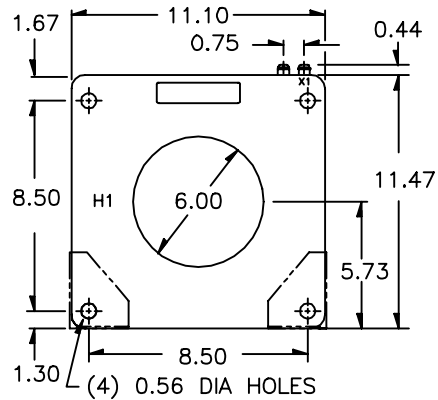
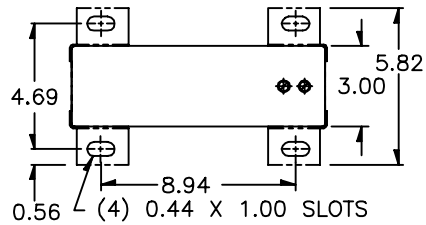
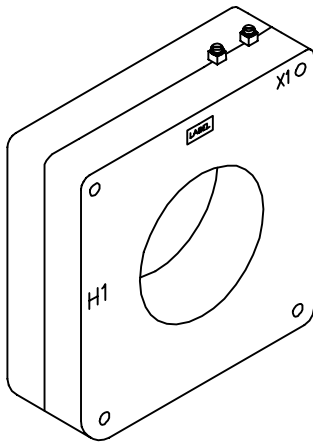
FREQUENCY:
50-400 Hz.

INSULATION LEVEL:
600 Volts, 10 kV BIL full wave.
REGULATORY AGENCY APPROVALS

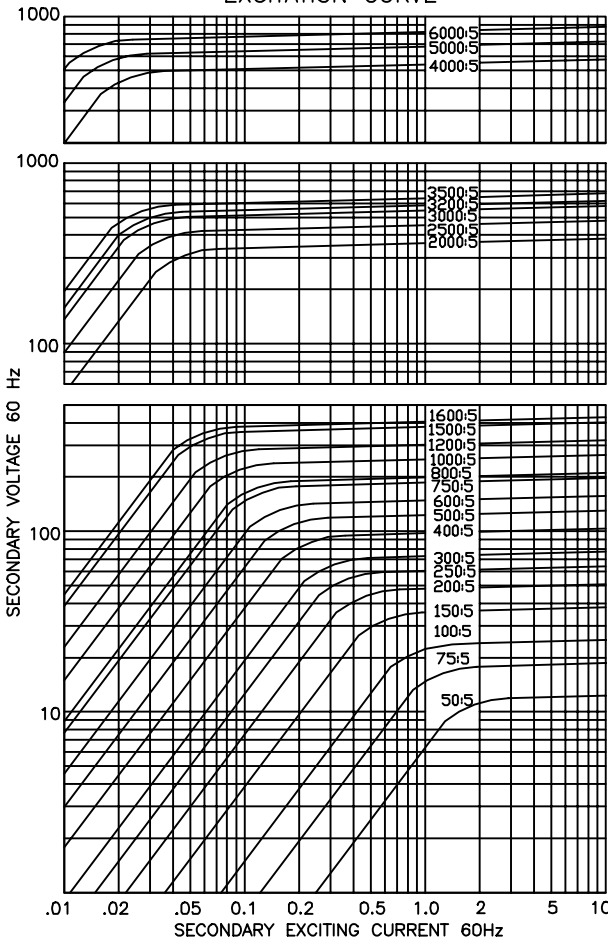
- Terminals are brass screws No. 10-32 UNF with one flatwasher and lockwasher.
- Order mounting bracket kit 0221B00259 separately.
- Multi-ratios available on request.
- Approximate weight 40 lbs.



Manufactured to meet the requirements of ANSI/IEEE C57.13.
Classified by U.L. in accordance with IEC 44-1
Approved for revenue metering by Industry Canada. No. AE-0642(*)



EXCITATION CURVE



| CATALOG NUMBER | CURRENT RATIO | RELAY CLASS | ANSI METERING CLASS AT 60 Hz | | | | | SECONDARY WINDING RESISTANCE (OHMS @ 75 °C) | CONTINUOUS THERMAL RATING FACTOR | |
|----------------|---------------|-------------|------------------------------|------|------|------|------|---|----------------------------------|-------|
| | | | B0.1 | B0.2 | B0.5 | B0.9 | B1.8 | | @30°C | @55°C |
| 144-500 | 50:5 | - | 2.4 | 4.8 | - | - | - | 0.020 | 2.0 | 2.0 |
| 144-750 | 75:5 | C10 | 1.2 | 2.4 | - | - | - | 0.032 | 2.0 | 2.0 |
| 144-101 | 100:5 | C10 | 1.2 | 1.2 | 2.4 | 4.8 | - | 0.040 | 2.0 | 2.0 |
| 144-151 | 150:5 * | C20 | 0.6 | 0.6 | 1.2 | 2.4 | 4.8 | 0.057 | 2.0 | 2.0 |
| 144-201 | 200:5 * | C20 | 0.6 | 0.6 | 1.2 | 2.4 | 2.4 | 0.067 | 2.0 | 2.0 |
| 144-251 | 250:5 * | C50 | 0.3 | 0.3 | 0.6 | 1.2 | 2.4 | 0.125 | 2.0 | 2.0 |
| 144-301 | 300:5 * | C50 | 0.3 | 0.3 | 0.6 | 0.6 | 1.2 | 0.150 | 2.0 | 2.0 |
| 144-401 | 400:5 * | C50 | 0.3 | 0.3 | 0.3 | 0.6 | 0.6 | 0.195 | 2.0 | 2.0 |
| 144-501 | 500:5 * | C100 | 0.3 | 0.3 | 0.3 | 0.6 | 0.6 | 0.282 | 2.0 | 2.0 |
| 144-601 | 600:5 * | C100 | 0.3 | 0.3 | 0.3 | 0.3 | 0.6 | 0.338 | 2.0 | 1.5 |
| 144-751 | 750:5 * | C100 | 0.3 | 0.3 | 0.3 | 0.3 | 0.3 | 0.213 | 2.0 | 2.0 |
| 144-801 | 800:5 * | C100 | 0.3 | 0.3 | 0.3 | 0.3 | 0.3 | 0.451 | 2.0 | 1.5 |
| 144-102 | 1000:5 * | C200 | 0.3 | 0.3 | 0.3 | 0.3 | 0.3 | 0.563 | 2.0 | 1.5 |
| 144-122 | 1200:5 * | C200 | 0.3 | 0.3 | 0.3 | 0.3 | 0.3 | 0.676 | 1.5 | 1.33 |
| 144-152 | 1500:5 * | C200 | 0.3 | 0.3 | 0.3 | 0.3 | 0.3 | 0.845 | 1.5 | 1.0 |
| 144-162 | 1600:5 * | C200 | 0.3 | 0.3 | 0.3 | 0.3 | 0.3 | 0.902 | 1.5 | 1.0 |
| 144-202 | 2000:5 * | C200 | 0.3 | 0.3 | 0.3 | 0.3 | 0.3 | 1.002 | 1.5 | 1.0 |
| 144-252 | 2500:5 * | C400 | 0.3 | 0.3 | 0.3 | 0.3 | 0.3 | 1.252 | 1.33 | 1.0 |
| 144-302 | 3000:5 * | C400 | 0.3 | 0.3 | 0.3 | 0.3 | 0.3 | 1.503 | 1.0 | 0.8 |
| 144-322 | 3200:5 * | C400 | 0.3 | 0.3 | 0.3 | 0.3 | 0.3 | 1.603 | 1.0 | 0.8 |
| 144-352 | 3500:5 * | C200 | 0.3 | 0.3 | 0.3 | 0.3 | 0.3 | 1.592 | 1.0 | 0.8 |
| 144-402 | 4000:5 * | C400 | 0.3 | 0.3 | 0.3 | 0.3 | 0.3 | 1.820 | 1.0 | 0.8 |
| 144-502 | 5000:5 * | C400 | 0.3 | 0.3 | 0.3 | 0.3 | 0.3 | 2.275 | 1.0 | 0.6 |
| 144-602 | 6000:5 * | C400 | 0.3 | 0.3 | 0.3 | 0.3 | 0.3 | 2.730 | 0.8 | 0.6 |