

CURRENT TRANSFORMER

Model 142MR

Window Diameter 7.25"

REGULATORY AGENCY APPROVALS



Manufactured to meet the requirements of ANSI/IEEE C57.13.

Classified by U.L. in accordance with IEC 44-1

Approved for revenue metering by Industry Canada. No. AE-0650

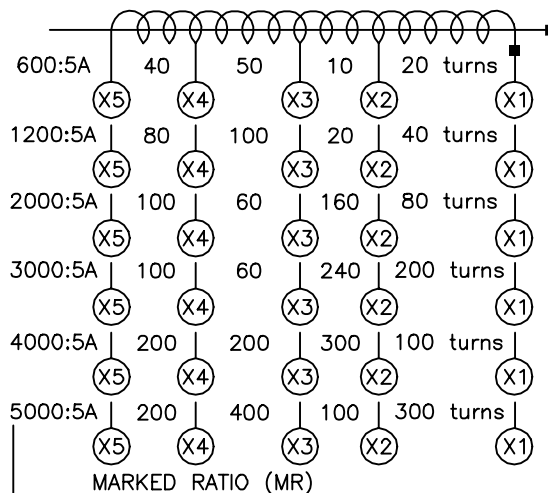
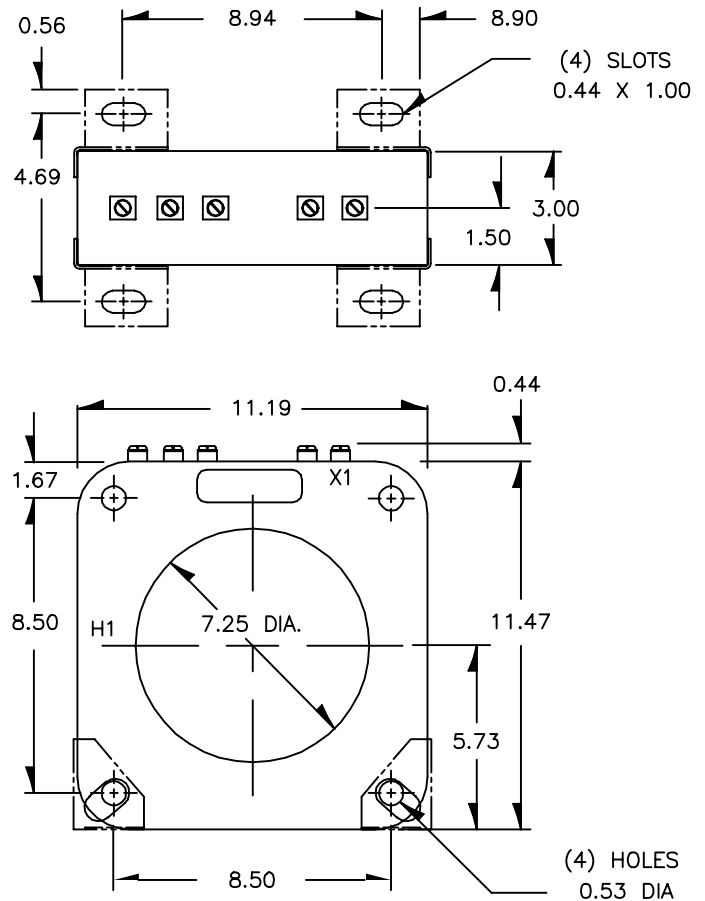
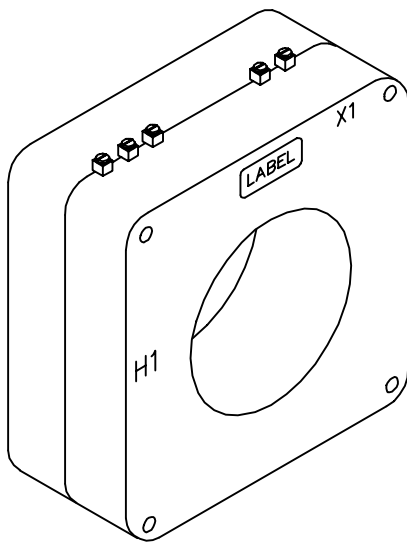
APPLICATION:
Relaying.

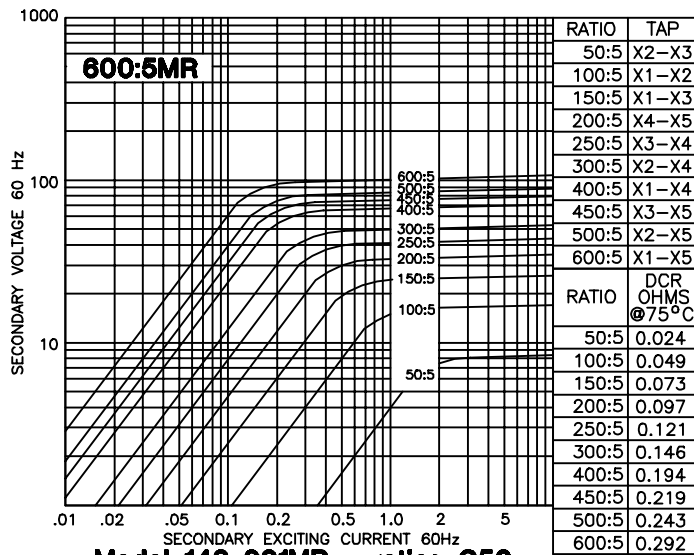
FREQUENCY:
50-400Hz

INSULATION LEVEL:
0.6 kV, BIL 10 kV full wave.

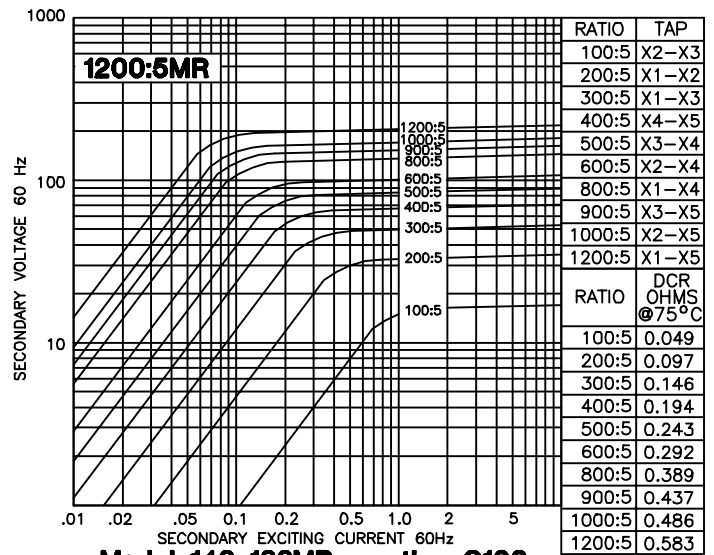
CONTINUOUS THERMAL CURRENT RATING FACTOR:
See TRF at curves.

- Terminals are brass screws No.10-32 with one flatwasher and lockwasher.
- The transformer winding is arranged so that the turns are fully distributed between all taps.
- Order Mounting Bracket Kit No. 0221B00259 separately.
- Approximate weight 31 lbs.

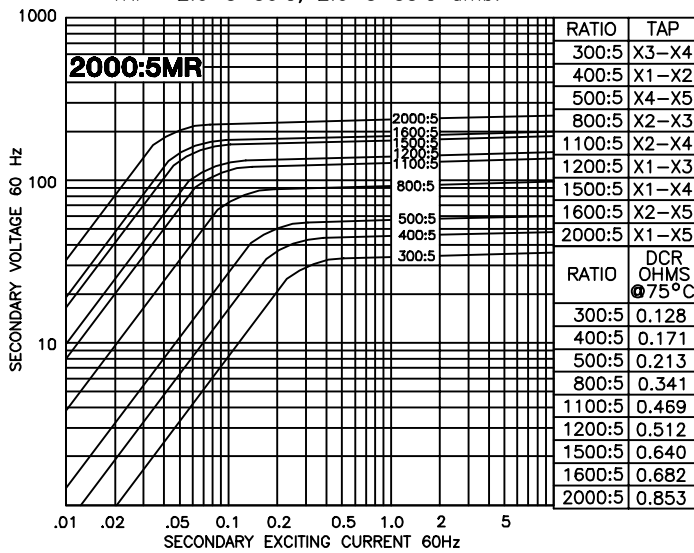




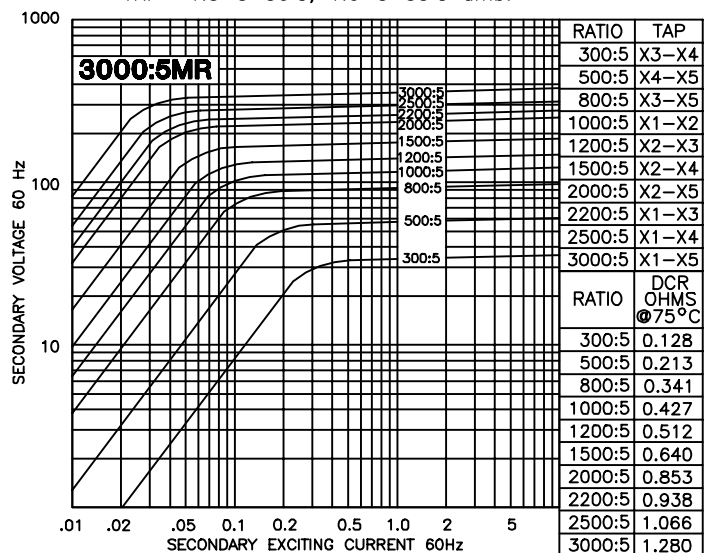
Model 142-601MR - rating C50
TRF= 2.0 @ 30°C, 2.0 @ 55°C amb.



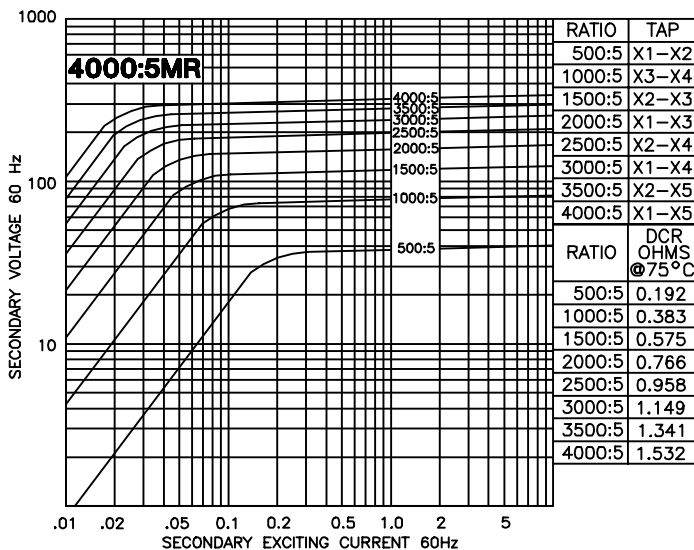
Model 142-122MR - rating C100
TRF= 1.5 @ 30°C, 1.0 @ 55°C amb.



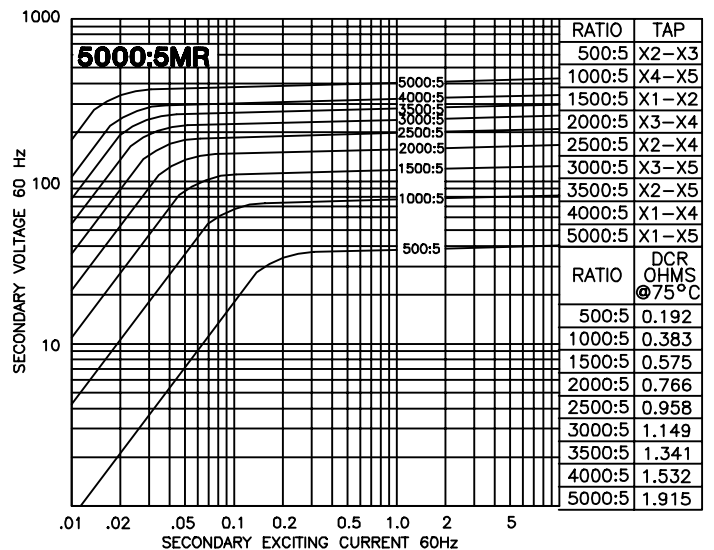
Model 142-202MR - rating C200
TRF= 2.0 @ 30°C, 1.5 @ 55°C amb.



Model 142-302MR - rating C200
TRF= 1.0 @ 30°C, 0.8 @ 55°C amb.



Model 142-402MR - rating C200
TRF= 1.0 @ 30°C, 0.8 @ 55°C amb.



Model 142-502MR - rating C200
TRF= 1.0 @ 30°C, 0.8 @ 55°C amb.