

# CURRENT TRANSFORMER

Model 139

Window Diameter 6.50"

**APPLICATION:**  
Relaying and metering.

**FREQUENCY:**  
50-400 Hz.

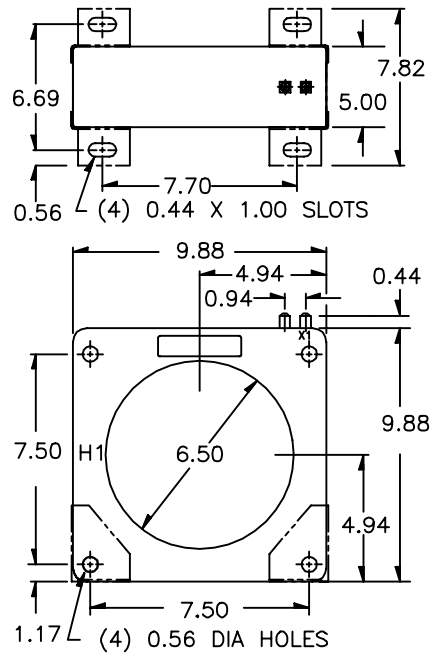
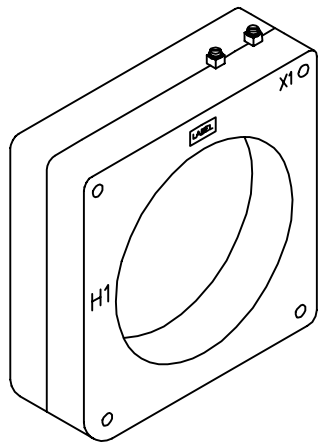
**INSULATION LEVEL:**  
600 Volts, 10 kV BIL full wave.

- Terminals are brass screws No.10-32 with one flatwasher and lockwasher.
- Order mounting bracket kit 0221B01528 separately.
- Multi-ratios available on request.
- Approximate weight 40 lbs.

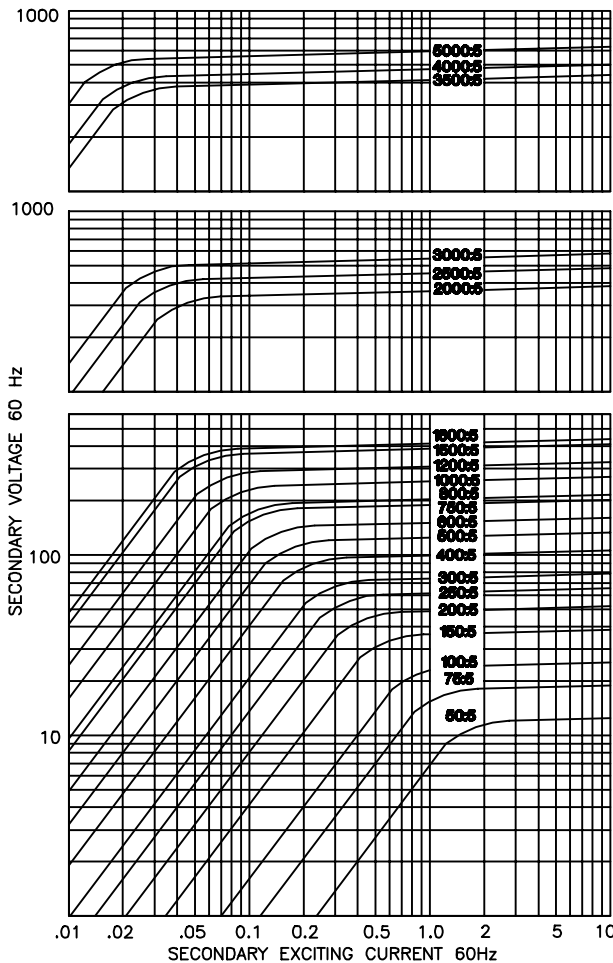
REGULATORY AGENCY APPROVALS



Manufactured to meet the requirements of ANSI/IEEE C57.13.  
Classified by U.L. in accordance with IEC 44-1



EXCITATION CURVE



CATALOG NUMBER	CURRENT RATIO	RELAY CLASS	ANSI METERING CLASS AT 60 Hz					SECONDARY WINDING RESISTANCE (OHMS @ 75 °C)	CONTINUOUS THERMAL RATING FACTOR	
			BO.1	BO.2	BO.5	BO.9	B1.8		@30°C	@55°C
139-500	50:5	C10	4.8	-	-	-	-	0.018	2.0	2.0
139-750	75:5	C10	2.4	4.8	-	-	-	0.027	2.0	2.0
139-101	100:5	C20	1.2	2.4	4.8	4.8	-	0.036	2.0	2.0
139-151	150:5	C20	0.6	1.2	2.4	2.4	4.8	0.053	2.0	2.0
139-201	200:5	C20	0.6	0.6	1.2	2.4	2.4	0.071	2.0	2.0
139-251	250:5	C50	0.3	0.6	1.2	1.2	2.4	0.089	2.0	2.0
139-301	300:5	C50	0.3	0.3	0.6	1.2	1.2	0.107	2.0	2.0
139-401	400:5	C50	0.3	0.3	0.3	0.6	1.2	0.142	2.0	2.0
139-501	500:5	C100	0.3	0.3	0.3	0.3	0.6	0.178	2.0	2.0
139-601	600:5	C100	0.3	0.3	0.3	0.3	0.6	0.214	2.0	2.0
139-751	750:5	C100	0.3	0.3	0.3	0.3	0.3	0.267	2.0	2.0
139-801	800:5	C100	0.3	0.3	0.3	0.3	0.3	0.285	2.0	2.0
139-102	1000:5	C200	0.3	0.3	0.3	0.3	0.3	0.563	1.5	1.5
139-122	1200:5	C200	0.3	0.3	0.3	0.3	0.3	0.676	1.5	1.33
139-152	1500:5	C200	0.3	0.3	0.3	0.3	0.3	0.845	1.5	1.0
139-162	1600:5	C200	0.3	0.3	0.3	0.3	0.3	0.901	1.5	1.0
139-202	2000:5	C200	0.3	0.3	0.3	0.3	0.3	0.823	1.5	1.0
139-252	2500:5	C200	0.3	0.3	0.3	0.3	0.3	1.029	1.5	1.0
139-302	3000:5	C400	0.3	0.3	0.3	0.3	0.3	1.235	1.33	1.0
139-352	3500:5	C200	0.3	0.3	0.3	0.3	0.3	1.352	1.0	1.0
139-402	4000:5	C200	0.3	0.3	0.3	0.3	0.3	1.545	1.0	0.8
139-502	5000:5	C400	0.3	0.3	0.3	0.3	0.3	3.025	1.0	0.8