

CURRENT TRANSFORMER

Model 129

Window Diameter 5.50"

APPLICATION:
Relaying and metering.

FREQUENCY:
50-400 Hz.

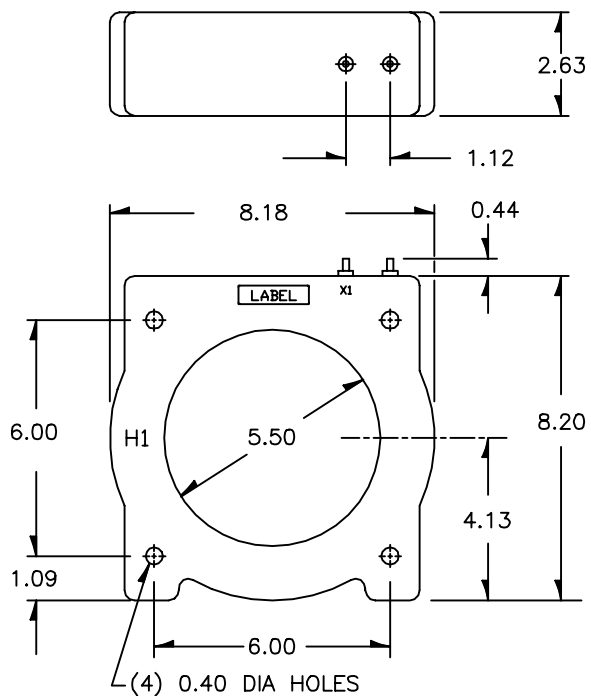
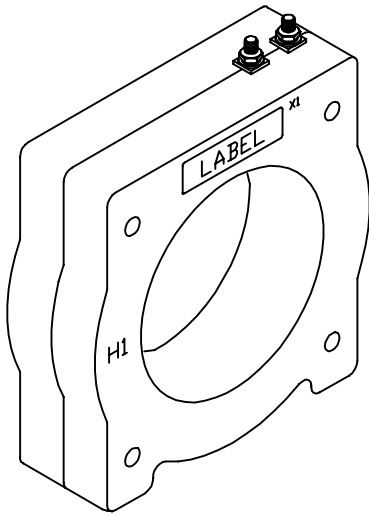
INSULATION LEVEL:
600 Volts, 10 kV BIL full wave.

- Terminals are brass studs No. 8-32 UNC with one flatwasher, lockwasher and regular nut.
- Removable cover & shorting device available at extra cost.
- Approximate weight 11 lbs.

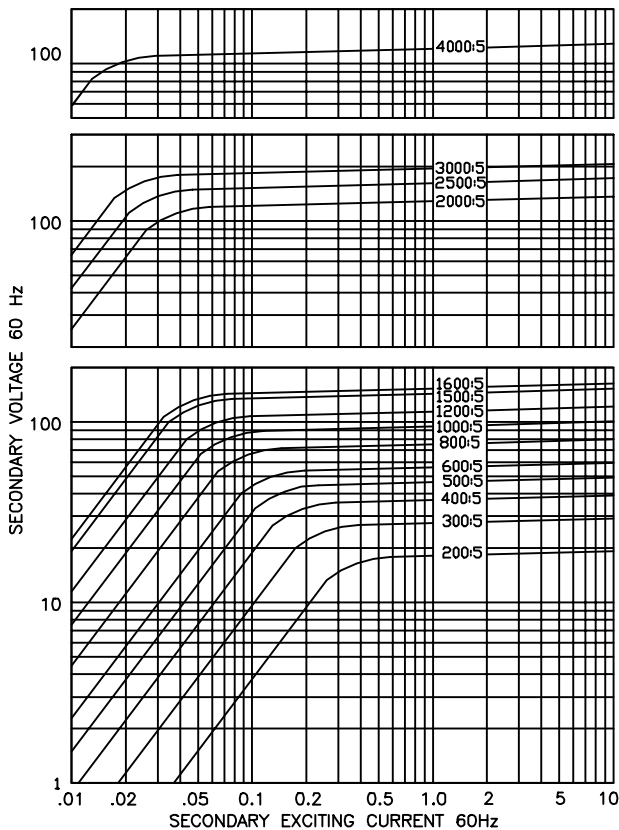
REGULATORY AGENCY APPROVALS



Manufactured to meet the requirements of ANSI/IEEE C57.13.
Classified by U.L. in accordance with IEC 44-1



EXCITATION CURVE



CATALOG NUMBER	CURRENT RATIO	RELAY CLASS	ANSI METERING CLASS AT 60 Hz					SECONDARY WINDING RESISTANCE (OHMS @ 75 °C)	CONTINUOUS THERMAL RATING FACTOR	
			B0.1	B0.2	B0.5	B0.9	B1.8		@30°C	@55°C
129-201	200:5	C10	0.6	1.2	2.4	2.4	4.8	0.039	2.0	2.0
129-301	300:5	C20	0.3	0.6	0.6	1.2	2.4	0.059	2.0	2.0
129-401	400:5	C20	0.3	0.6	0.6	0.6	1.2	0.078	2.0	2.0
129-501	500:5	C30	0.3	0.3	0.3	0.6	1.2	0.098	2.0	2.0
129-601	600:5	C30	0.3	0.3	0.3	0.3	0.6	0.117	2.0	2.0
129-801	800:5	C50	0.3	0.3	0.3	0.3	0.3	0.196	2.0	1.5
129-102	1000:5	C50	0.3	0.3	0.3	0.3	0.3	0.386	1.5	1.33
129-122	1200:5	C50	0.3	0.3	0.3	0.3	0.3	0.463	1.5	1.0
129-152	1500:5	C100	0.3	0.3	0.3	0.3	0.3	0.579	1.5	1.0
129-162	1600:5	C100	0.3	0.3	0.3	0.3	0.3	0.777	1.33	1.0
129-202	2000:5	C50	0.3	0.3	0.3	0.3	0.3	0.685	1.33	1.0
129-252	2500:5	C50	0.3	0.3	0.3	0.3	0.3	0.856	1.0	0.8
129-302	3000:5	C100	0.3	0.3	0.3	0.3	0.3	1.028	1.0	0.8
129-402	4000:5	C20	0.3	0.3	0.3	0.3	0.3	1.196	1.0	0.8