

CURRENT TRANSFORMER

Model 115MR

Window Diameter 4.00"

REGULATORY AGENCY APPROVALS



Manufactured to meet the requirements of ANSI/IEEE C57.13.

Classified by U.L. in accordance with IEC 44-1

Approved for revenue metering by Industry Canada. No. T-192

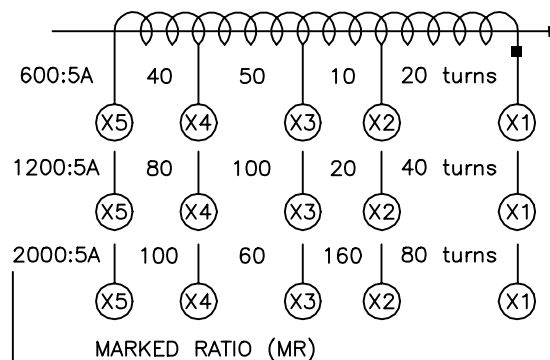
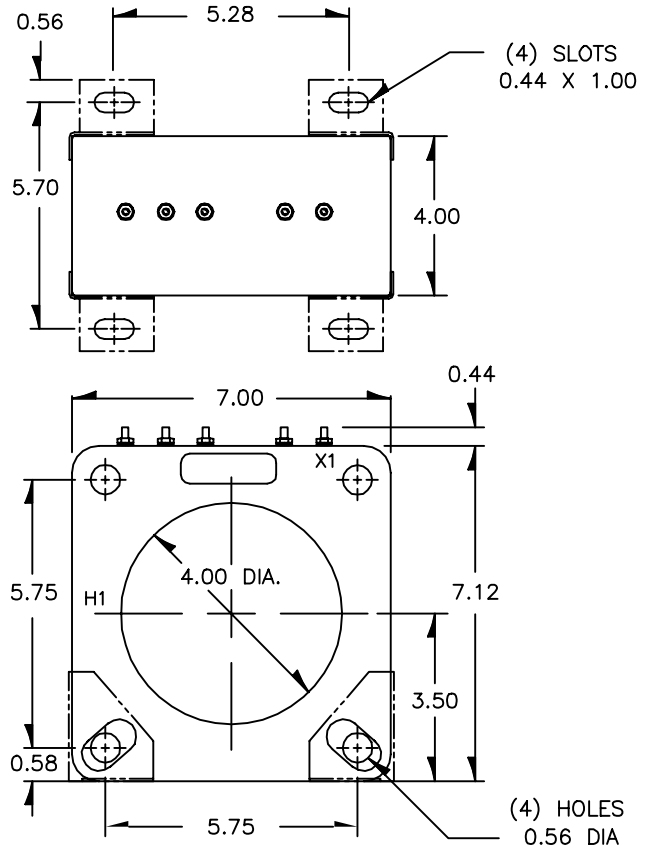
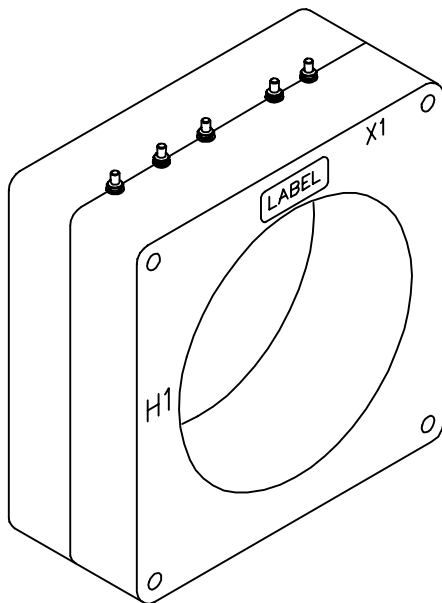
APPLICATION:
Relaying.

FREQUENCY:
50-400Hz

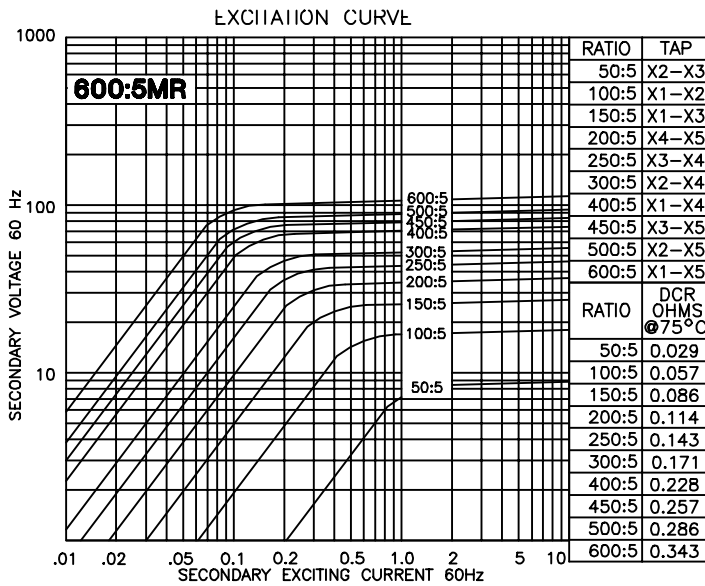
INSULATION LEVEL:
0.6 kV, BIL 10 kV full wave.

CONTINUOUS THERMAL CURRENT RATING FACTOR:
See TRF at curve.

- Terminals are brass studs No.8-32 with one flatwasher, lockwasher and regular nut.
- The transformer winding is arranged so that the turns are fully distributed between all taps.
- Order Mounting Bracket Kit No. 0221B01525 separately.
- Approximate weight 19 lbs.

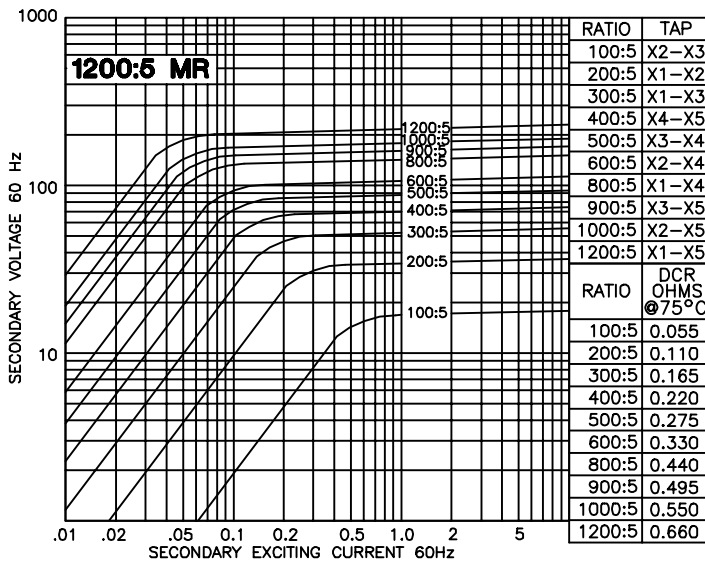


Models 112, 113 and 114 also available as MR.



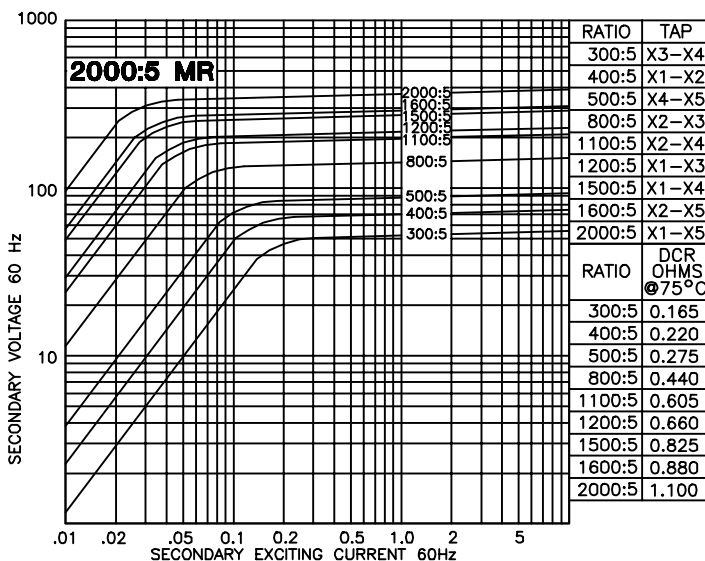
Model 115-601MR - rating C50

TRF= 2.00 @ 30°C, 1.5 @ 55°C amb.



Model 115-122MR - rating C100

TRF= 1.33 @ 30°C, 1.0 @ 55°C amb.



Model 115-202MR - rating C200

TRF= 1.00 @ 30°C, 0.8 @ 55°C amb.