

# CURRENT TRANSFORMER

## Model 110

Window Diameter 4.0"

**APPLICATION:**  
Relaying and metering.

**FREQUENCY:**  
50–400 Hz.

**INSULATION LEVEL:**  
600 Volts, 10 kV BIL full wave.

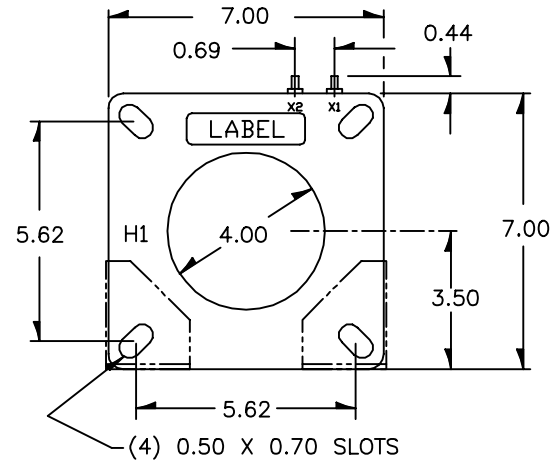
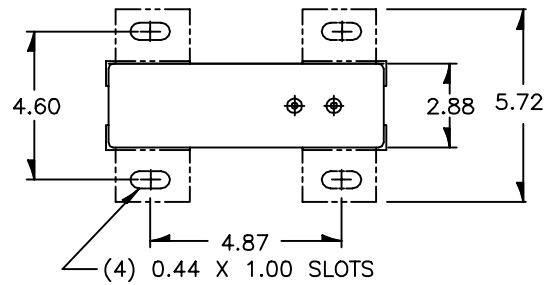
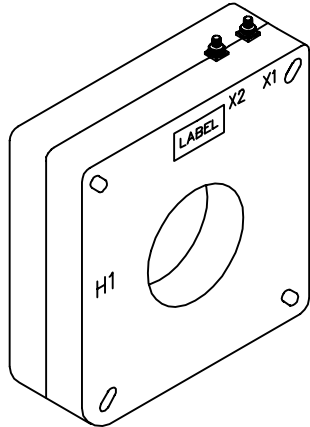
REGULATORY AGENCY APPROVALS



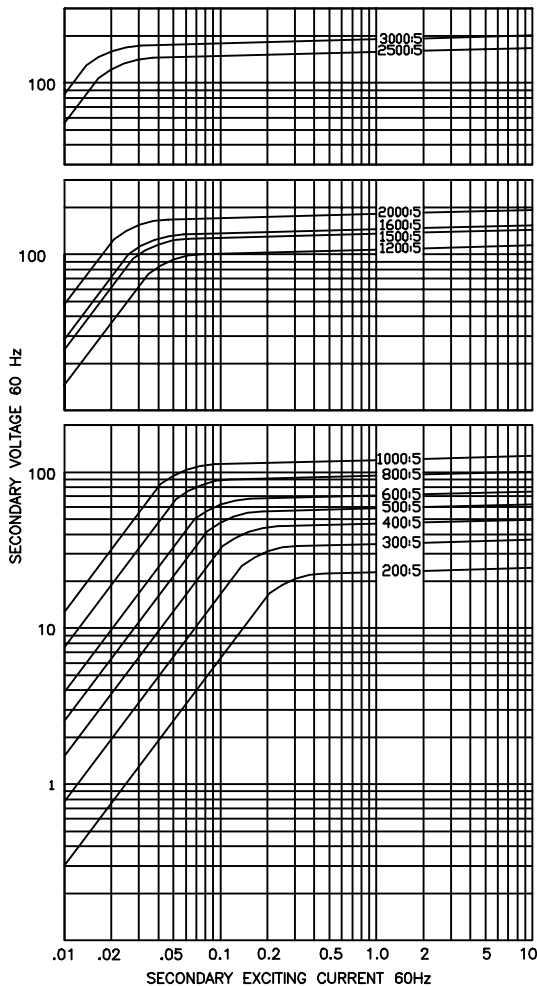
Manufactured to meet the requirements of ANSI/IEEE C57.13.

Classified by U.L. in accordance with IEC 44-1

- Terminals are brass studs No. 8–32 UNC with one flatwasher, lockwasher and regular nut.
- Other ratios available on request.
- Order mounting bracket kit 0221B00186 separately.
- Approximate weight 13 lbs.



EXCITATION CURVE



CATALOG NUMBER	CURRENT RATIO	RELAY CLASS	ANSI METERING CLASS AT 60 Hz					SECONDARY WINDING RESISTANCE (OHMS @ 75 °C)	CONTINUOUS THERMAL RATING FACTOR	
			B0.1	B0.2	B0.5	B0.9	B1.8		@ 30°C	@ 55°C
110-201	200:5	C10	0.6	1.2	1.2	2.4	—	0.085	2.0	2.0
110-301	300:5	C20	0.3	0.6	0.6	1.2	2.4	0.128	2.0	2.0
110-401	400:5	C20	0.3	0.3	0.3	0.6	1.2	0.152	2.0	2.0
110-501	500:5	C20	0.3	0.3	0.3	0.6	0.6	0.214	2.0	1.5
110-601	600:5	C50	0.3	0.3	0.3	0.3	0.6	0.256	2.0	1.5
110-801	800:5	C50	0.3	0.3	0.3	0.3	0.3	0.342	1.5	1.33
110-102	1000:5	C50	0.3	0.3	0.3	0.3	0.3	0.427	1.5	1.0
110-122	1200:5	C50	0.3	0.3	0.3	0.3	0.3	0.489	1.5	1.0
110-152	1500:5	C100	0.3	0.3	0.3	0.3	0.3	0.611	1.33	1.0
110-162	1600:5	C100	0.3	0.3	0.3	0.3	0.3	0.652	1.0	1.0
110-202	2000:5	C100	0.3	0.3	0.3	0.3	0.3	0.815	1.0	0.8
110-252	2500:5	C100	0.3	0.3	0.3	0.3	0.3	0.974	1.0	0.8
110-302	3000:5	C100	0.3	0.3	0.3	0.3	0.3	1.168	1.0	0.6