

CURRENT TRANSFORMERS

Models 60, 61, 62

Window Diameters

0.94", 1.25", 1.56"

APPLICATION:
Metering.

FREQUENCY:
50-400 Hz.

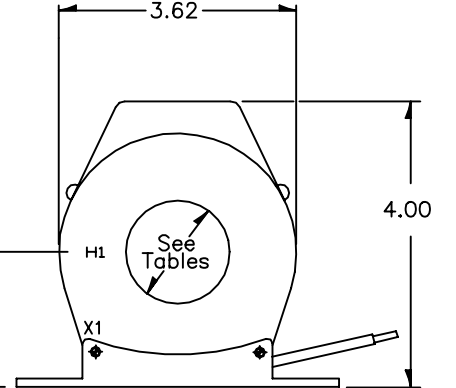
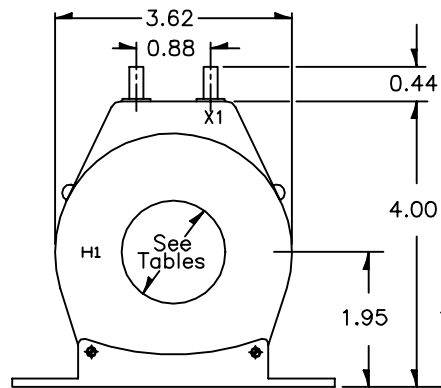
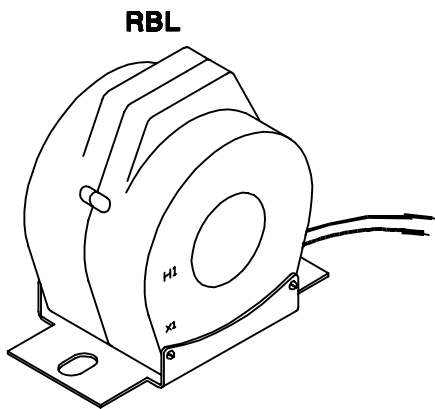
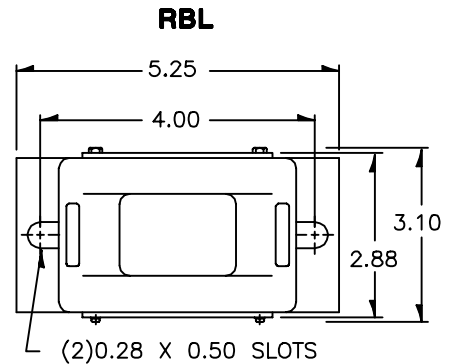
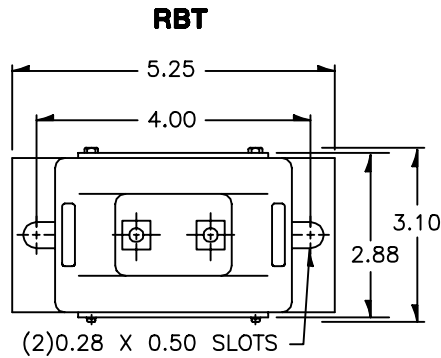
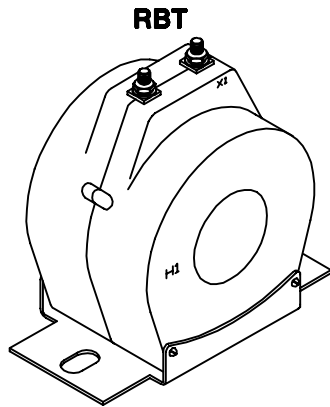
INSULATION LEVEL:
600 Volts, 10 kV BIL full wave.

REGULATORY AGENCY APPROVALS



Manufactured to meet the requirements of ANSI/IEEE C57.13.
Classified by U.L. in accordance with IEC 44-1

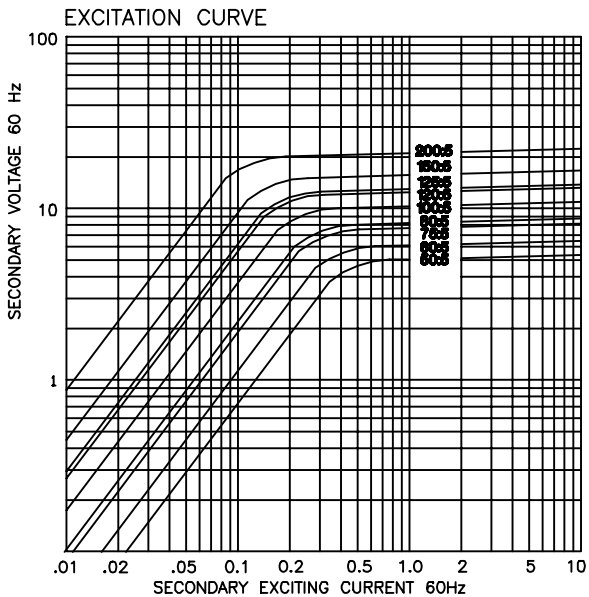
- Terminals are brass studs No. 8-32 UNC with one flatwasher, lockwasher and regular nut.
- Flexible leads are UL 1015 105 ° C, CSA approved, #16 AWG, 24" long.



CURRENT TRANSFORMER MODEL 60

Window Diameter 0.94"

Approximate weight: 5.25 lbs.



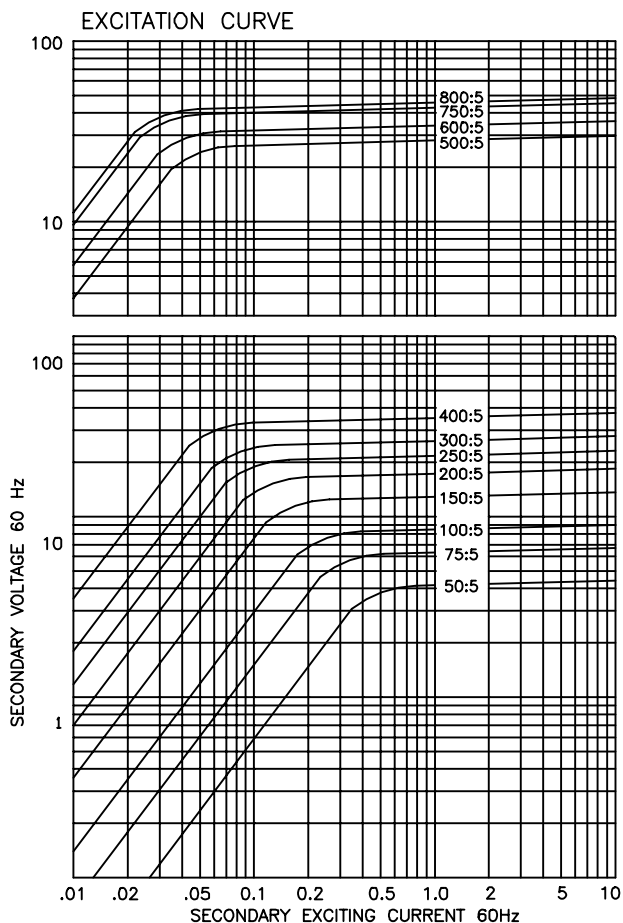
CATALOG NUMBER	CURRENT RATIO	V.A. FOR ± 6% CLASS	V.A. FOR ± 3% CLASS	ANSI METERING CLASS AT 60 Hz					SECONDARY WINDING RESISTANCE (OHMS @ 75 °C)	CONTINUOUS THERMAL RATING FACTOR	
				B0.1	B0.2	B0.5	B0.9	B1.8		@30°C	@55°C
60**-500	50:5	10.0	2.5	1.2	4.8	-	-	-	0.018	2.0	2.0
60**-600	60:5	15.0	3.0	1.2	2.4	-	-	-	0.021	2.0	2.0
60**-750	75:5	-	10.0	0.6	1.2	4.8	-	-	0.027	2.0	2.0
60**-800	80:5	-	15.0	0.6	1.2	2.4	4.8	-	0.028	2.0	2.0
60**-101	100:5	-	7.5 ± 1%	0.6	0.6	2.4	4.8	4.8	0.037	2.0	2.0
60**-121	120:5	-	12.5 ± 1%	0.6	0.6	1.2	2.4	4.8	0.043	2.0	2.0
60**-1250	125:5	-	15.0 ± 1%	0.6	0.6	1.2	2.4	4.8	0.044	2.0	2.0
60**-151	150:5	-	20.0 ± 1%	0.3	0.3	0.6	1.2	2.4	0.055	2.0	1.5
60**-201	200:5	-	25.0 ± 1%	0.3	0.3	0.3	0.6	1.2	0.073	2.0	1.5

** NOTE: When ordering, prefix Cat No. with model designation required, i.e. 60RBT-201, 60RBL-301, etc.

CURRENT TRANSFORMER MODEL 61

Window Diameter 1.25"

Approximate weight: 4.75 lbs.



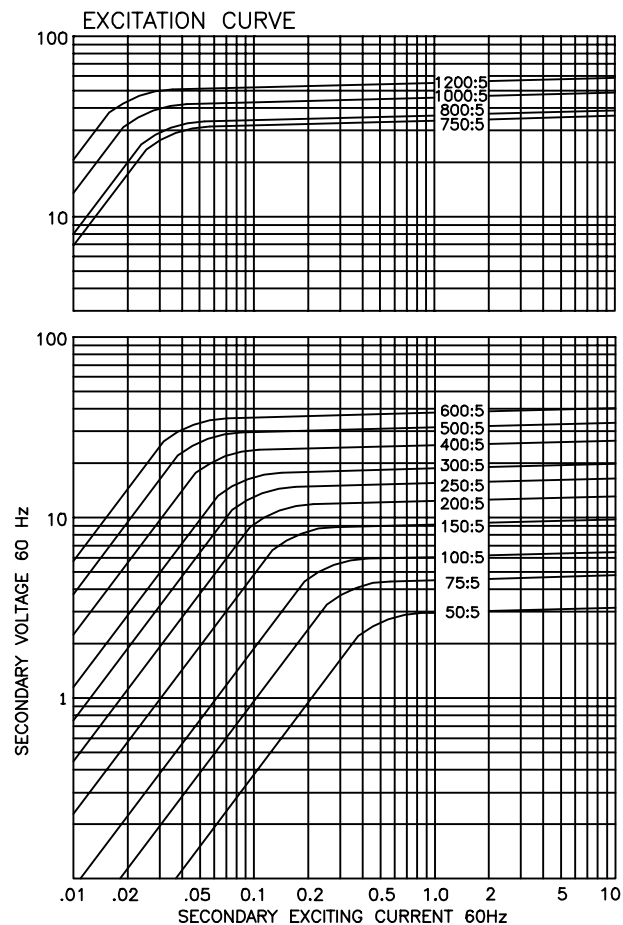
CATALOG NUMBER	CURRENT RATIO	V.A. FOR ±1% CLASS	ANSI METERING CLASS AT 60 Hz					SECONDARY WINDING RESISTANCE (OHMS @ 75 ° C)	CONTINUOUS THERMAL RATING FACTOR	
			B0.1	B0.2	B0.5	B0.9	B1.8		@30°C	@55°C
61**–500	50:5	2.0	2.4	4.8	–	–	–	0.025	2.0	2.0
61**–750	75:5	5.0	0.6	2.4	4.8	–	–	0.033	2.0	2.0
61**–101	100:5	7.5	0.6	1.2	2.4	4.8	–	0.045	2.0	2.0
61**–151	150:5	12.5	0.3	0.6	1.2	2.4	4.8	0.067	2.0	1.5
61**–201	200:5	20.0	0.3	0.3	0.6	1.2	2.4	0.090	2.0	1.5
61**–251	250:5	35.0	0.3	0.3	0.6	0.6	1.2	0.115	1.5	1.25
61**–301	300:5	50.0	0.3	0.3	0.6	0.6	1.2	0.149	1.5	1.0
61**–401	400:5	75.0	0.3	0.3	0.3	0.3	0.6	0.198	1.33	1.0
61**–501	500:5	100.0	0.3	0.3	0.3	0.3	0.6	0.224	1.33	1.0
61**–601	600:5	120.0	0.3	0.3	0.3	0.3	0.3	0.258	1.0	0.8
61**–751	750:5	140.0	0.3	0.3	0.3	0.3	0.3	0.335	1.0	0.8
61**–801	800:5	150.0	0.3	0.3	0.3	0.3	0.3	0.358	1.0	0.8

** NOTE: When ordering, prefix Cat No. with model designation required, i.e. 61RBT–201, 61RBL–301, etc.

CURRENT TRANSFORMER MODEL 62

Window Diameter 1.56"

Approximate weight: 3.75 lbs.



CATALOG NUMBER	CURRENT RATIO	V.A. FOR ±1% CLASS	ANSI METERING CLASS AT 60 Hz					SECONDARY WINDING RESISTANCE (OHMS @ 75 ° C)	CONTINUOUS THERMAL RATING FACTOR	
			B0.1	B0.2	B0.5	B0.9	B1.8		@30°C	@55°C
62**–500	50:5	2.0	2.4	–	–	–	–	0.013	2.0	2.0
62**–750	75:5	5.0	1.2	2.4	4.8	–	–	0.018	2.0	2.0
62**–101	100:5	7.5	0.6	1.2	2.4	4.8	–	0.037	2.0	2.0
62**–151	150:5	10.0	0.3	0.6	1.2	2.4	4.8	0.050	2.0	2.0
62**–201	200:5	20.0	0.3	0.3	0.6	1.2	2.4	0.066	2.0	1.5
62**–251	250:5	30.0	0.3	0.3	0.6	1.2	1.2	0.083	2.0	1.5
62**–301	300:5	40.0	0.3	0.3	0.3	0.6	1.2	0.100	1.5	1.33
62**–401	400:5	60.0	0.3	0.3	0.3	0.6	0.6	0.150	1.5	1.0
62**–501	500:5	80.0	0.3	0.3	0.3	0.3	0.6	0.235	1.33	1.0
62**–601	600:5	100.0	0.3	0.3	0.3	0.3	0.6	0.354	1.0	0.8
62**–751	750:5	125.0	0.3	0.3	0.3	0.3	0.3	0.262	1.0	0.8
62**–801	800:5	130.0	0.3	0.3	0.3	0.3	0.3	0.280	1.0	0.8
62**–102	1000:5	150.0	0.3	0.3	0.3	0.3	0.3	0.438	1.0	0.6
62**–122	1200:5	200.0	0.3	0.3	0.3	0.3	0.3	0.657	0.8	0.6

** NOTE: When ordering, prefix Cat No. with model designation required, i.e. 62RBT–201, 62RBL–301, etc.