

CURRENT TRANSFORMERS

Model 76

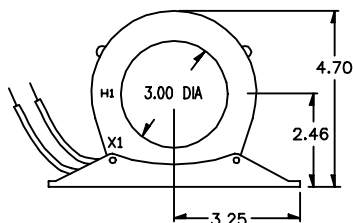
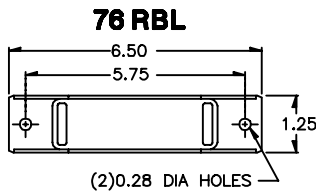
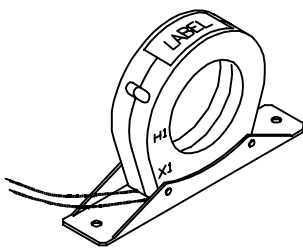
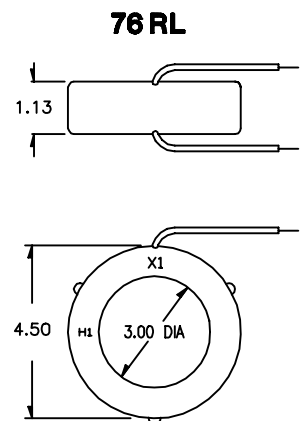
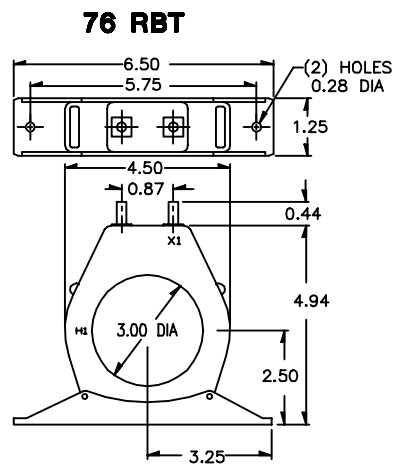
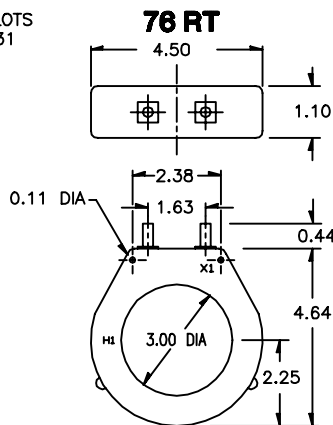
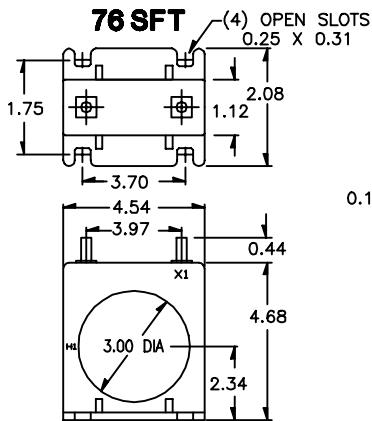
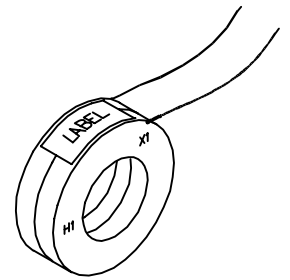
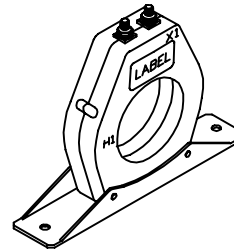
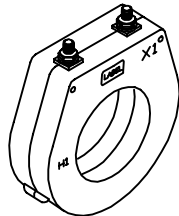
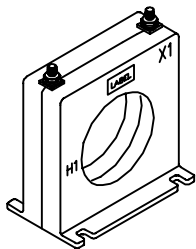
Window Diameter 3.00"

APPLICATION:
With ammeters, wattmeters, and cross current compensation.

FREQUENCY:
50-400 Hz.

INSULATION LEVEL:
600 Volts, 10 kV BIL full wave.

- Flexible leads are UL 1015 105 ° C, CSA approved, #16 AWG, 24" long.
- Non-standard length to be specified.
- Terminals are brass studs No. 8-32 UNC with one flat washer, lockwasher and regular nut.
- SFT case styles also available as SFL with leads.
- Approximate weight: 0.9 lb.



CATALOG NUMBER	CURRENT RATIO	ACCURACY AT 60 Hz	BURDEN VA at 60 Hz
76**-201	200:5	± 1 %	5.0
76**-251	250:5	± 1 %	5.0
76**-301	300:5	± 1 %	6.0
76**-401	400:5	± 1 %	10.0
76**-501	500:5	± 1 %	10.0
76**-601	600:5	± 1 %	10.0
76**-751	750:5	± 1 %	10.0
76**-801	800:5	± 1 %	12.5
76**-102	1000:5	± 1 %	12.5
76**-122	1200:5	± 1 %	12.5
76**-152	1500:5	± 1 %	12.5
76**-162	1600:5	± 1 %	12.5
76**-202	2000:5	± 1 %	15.0

** NOTE: When ordering, prefix Cat No. with model designation required, i.e. 76RL-101, 76RBL-251, etc.