

CURRENT TRANSFORMERS

Model 56

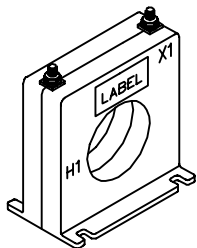
Window Diameter 2.06"

APPLICATION:
With ammeters, wattmeters, and cross current compensation.

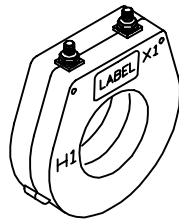
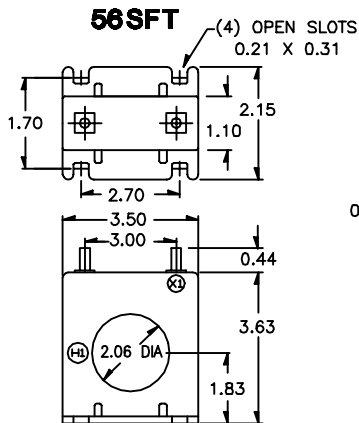
FREQUENCY:
50-400 Hz.

INSULATION LEVEL:
0.6 kV. BIL 10 kV. full wave.

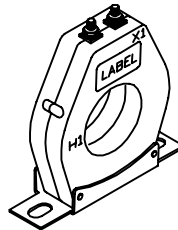
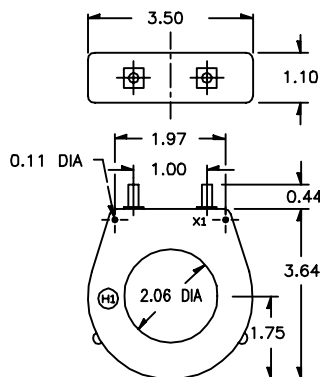
- Flexible leads are UL 1015 105 ° C, CSA approved, #16 AWG, 24" long.
- Non-standard length to be specified.
- Terminals are brass studs No. 8-32 UNC with one flat washer, lockwasher and regular nut.
- SFT case style also available as SFL with leads.
- Approximate weight: 0.6 lb.



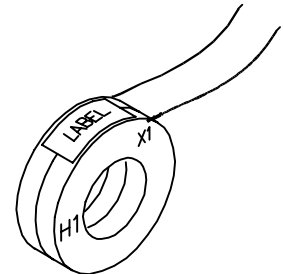
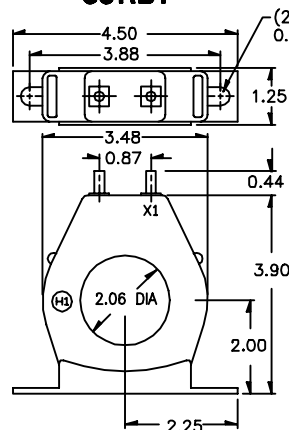
56SFT



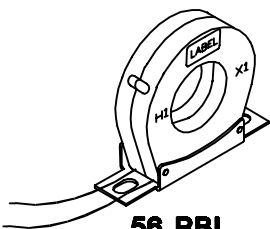
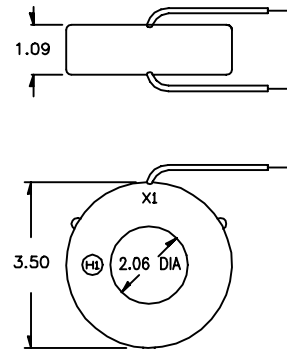
56RT



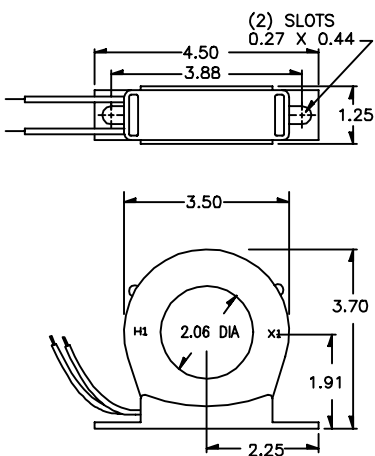
56RBT



56RL



56RBL



CATALOG NUMBER	CURRENT RATIO	ACCURACY AT 60 Hz	BURDEN VA at 60 Hz
56 **- 500	50:5	± 3 %	0.5
56 **- 750	75:5	± 1 %	0.5
56 **- 101	100:5	± 1 %	1.0
56 **- 151	150:5	± 1 %	2.5
56 **- 201	200:5	± 1 %	4.0
56 **- 251	250:5	± 1 %	6.0
56 **- 301	300:5	± 1 %	7.5
56 **- 401	400:5	± 1 %	10.0
56 **- 501	500:5	± 1 %	12.5
56 **- 601	600:5	± 1 %	15.0
56 **- 751	750:5	± 1 %	7.0
56 **- 801	800:5	± 1 %	8.0
56 **- 102	1000:5	± 1 %	10.0
56 **- 122	1200:5	± 1 %	12.5

** NOTE: When ordering, prefix Cat No. with model designation required, i.e. 56RL-101, 56RBL-251, etc.