

CURRENT TRANSFORMERS

Models 63A, 63B, & 63C

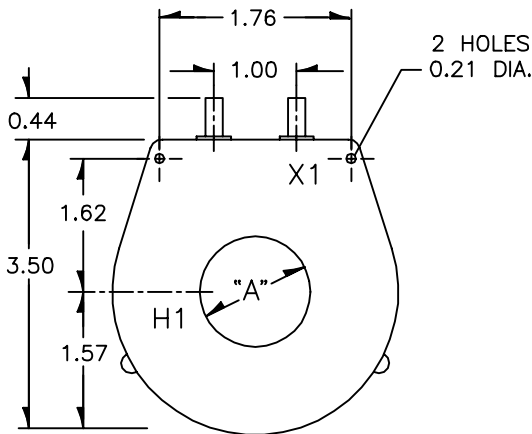
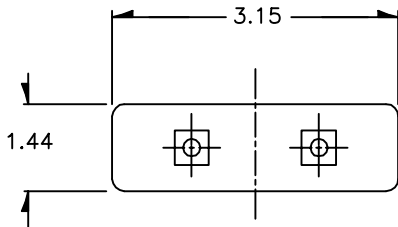
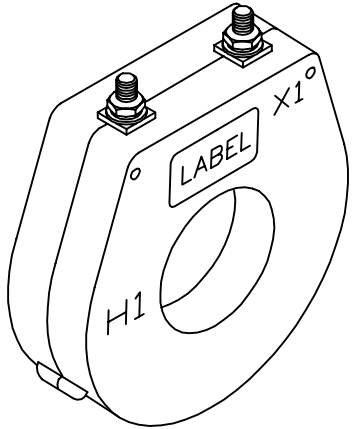
Window Diameters
0.56," 1.25," 2.00"

APPLICATION:
With ammeters, wattmeters, and cross current compensation.

FREQUENCY:
50–400 Hz.

INSULATION LEVEL:
600 Volts, 10 kV BIL full wave.

- Terminals are brass studs No. 8–32 UNC with one flatwasher, lockwasher and regular nut.
- Approximate weight: 2.0 lbs.



Model 63A

CATALOG NUMBER	CURRENT RATIO	ACCURACY AT 60 Hz	BURDEN VA at 60 Hz	DIM "A"
63A–500	50:5	± 2 %	2.5	0.56
63A–600	60:5	± 2 %	2.5	
63A–750	75:5	± 1 %	2.5	
63A–800	80:5	± 1 %	2.5	
63A–101	100:5	± 1 %	2.5	

Model 63B

CATALOG NUMBER	CURRENT RATIO	ACCURACY AT 60 Hz	BURDEN VA at 60 Hz	DIM "A"
63B–500	50:5	± 2 %	1.5	1.25
63B–750	75:5	± 2 %	2.5	
63B–101	100:5	± 1 %	2.5	
63B–1250	125:5	± 1 %	2.5	
63B–151	150:5	± 1 %	3.0	
63B–1750	175:5	± 1 %	4.0	
63B–201	200:5	± 1 %	5.0	
63B–251	250:5	± 1 %	6.0	
63B–301	300:5	± 1 %	6.0	

Model 63C

CATALOG NUMBER	CURRENT RATIO	ACCURACY AT 60 Hz	BURDEN VA at 60 Hz	DIM "A"
63C–500	50:5	± 3 %	1.0	2.00
63C–101	100:5	± 1 %	1.0	
63C–151	150:5	± 1 %	2.0	
63C–201	200:5	± 1 %	4.0	
63C–2250	225:5	± 1 %	4.0	
63C–251	250:5	± 1 %	5.0	
63C–301	300:5	± 1 %	6.0	
63C–401	400:5	± 1 %	7.5	
63C–501	500:5	± 1 %	10.0	
63C–601	600:5	± 1 %	10.0	